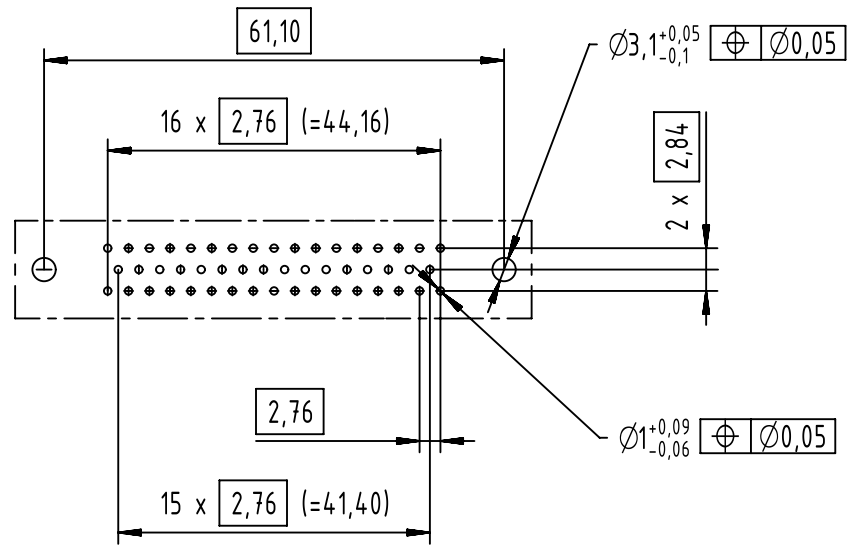
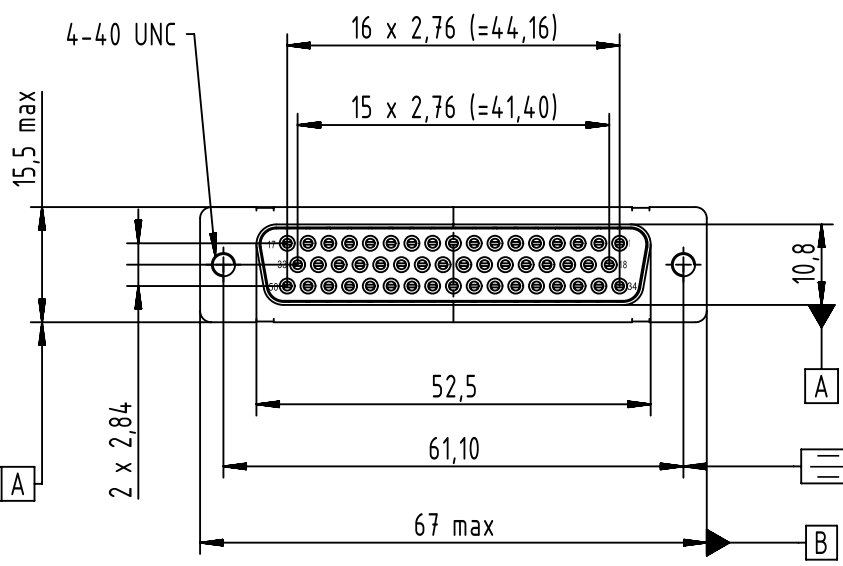
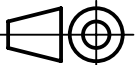



PC-Board layout
view component side
thickness up to 3,2 mm



 All Dimensions in mm Original Size DIN A4		Scale 1:1	Free size tol.		Ref.
 All rights reserved Department EC PD - FR		Created by LAVERGNEC	Inspected by BAGDIKIAN	Standardisation HOFFMANN	Date 2014-04-02
HARTING Electronics GmbH D-32339 Espelkamp		Title D-Sub 50-pole female straight press-in			State Final Release
Part number 09665147502		Type TB			Number 0966514X502
Performance level S4 PdNi		Rev. A			Page 1/1
A +/- 0,2		Doc-Key / ECM-Nr. 100571922/UGD/001/A 500000072779			
B +/- 0,2					

D	09665147502	3	6	4,20
	09665146502	2	6	4,20
	09665145502	S4 PdNi	6	4,20
	Part number	Performance level	A +/- 0,2	B +/- 0,2