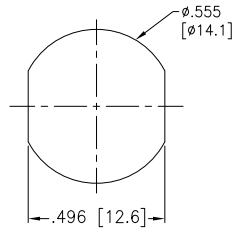
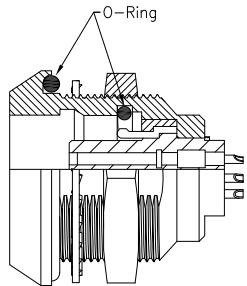
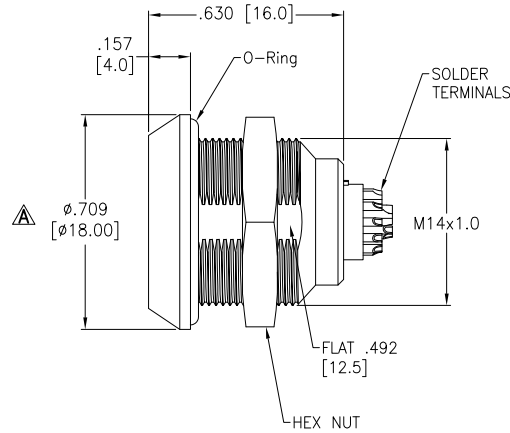
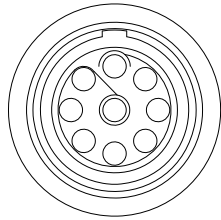


APPROVED: _____
 DATE: _____ TITLE: _____

Rev	AWO #	Description	Date	Appr
-		RELEASED	8/16/21	
A		UPDATE DIM.	2/14/23	LH/AC1



Panel Cut-Out
(Front Panel Mounting)

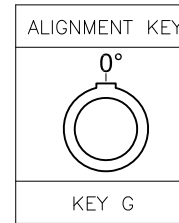
Note: .236 [6.0] Max. Panel Thickness

MMI-MORSGXXS-IP67

SIZE 0

ALIGNMENT KEY
G = 0°

OF POSITIONS
(02, 03, 04, 05, 06, 07 & 09)



	2 Pin	3 Pin	4 Pin	5 Pin	6 Pin	7 Pin	9 Pin
Configuration							
Diameter of Pin	Ø0.9	Ø0.9	Ø0.7	Ø0.7	Ø0.5	Ø0.5	Ø0.5
Testing Voltage	1200V	1200V	1000V	1000V	900V	800V	800V
Working Voltage	250V	250V	200V	200V	200V	200V	200V
Rated Current / Pin	8A	7A	5A	5A	2.5A	2A	2A

SPECIFICATIONS:

Material:
 Body: Brass, Natural Chrome Plated
 Insulator: PPS, color Beige
 Terminal: Brass, Gold Plated
 O-Ring: Silicone

Electrical:
 Voltage Rating: See chart
 Current Rating: See chart
 Dielectric withstanding voltage: See chart
 Electrical Life: 1,000 Cycles min.

Mechanical:
 Endurance: 5,000 Cycles Min.
 Temperature Rating:
 Operating temperature: -55°C to +150°C
 Environmental:
 IP67 Protection (Panel and Mated Condition)
 Lead free, RoHS compliant



UNLESS OTHERWISE SPECIFIED
 ALL DIMENSIONS ARE INCHES [MM]
 TOLERANCES: EXCEPT AS NOTED

INCHES		HOLES	
.X	± .10	Ø.X	± .10
.XX	± .020	Ø.XX	± .015
.XXX	± .015	Ø.XXX	± .010

APPROVALS		DATE
DRAWN	SS	8/16/21
CHECKED	SS	8/16/21
APPROVED		



909 Rahway Avenue,
 Union, NJ 07083
 Phone: 908-687-5000
 Fax: 908-687-5710

TITLE
 PUSH-PULL SOCKET, VERTICAL, SIZE 0, METAL BODY,
 FRONT PANEL MOUNT, SOLDER TERMINAL, IP67

SIZE	PART NO.	REV.
X	MMI-MORSGXXS-IP67	-
REF: SXXXXX	SCALE: NTS	SHEET 1 OF 1