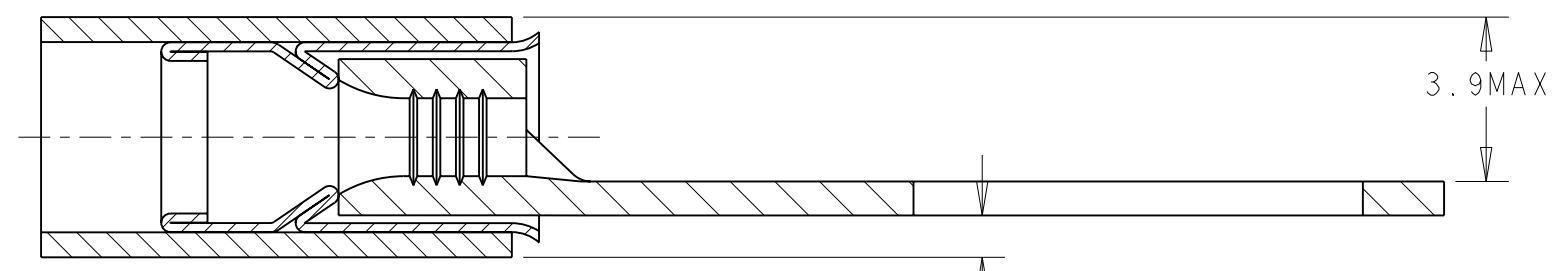


THIS DRAWING IS UNPUBLISHED. RELEASED FOR PUBLICATION 20  
 © COPYRIGHT 20 BY TYCO ELECTRONICS CORPORATION. ALL RIGHTS RESERVED.

LOC	DIST	REVISIONS			
P	LTR	DESCRIPTION	DATE	DWN	APVD
F	00	B	HOLE DIA. TOLERANCES	09JUN2006	JJD YP
		C	ECR 07-025006	26OCT2007	JT GR
		CI	ECR-11-000339	07JAN2011	SC KRS

COUPE C-C



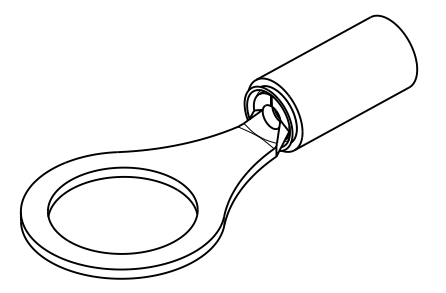
STAMP : AMP 18 16

FOR INSULATION  
 Ø1.4 - 2.67  
 Ø5.15 MAX

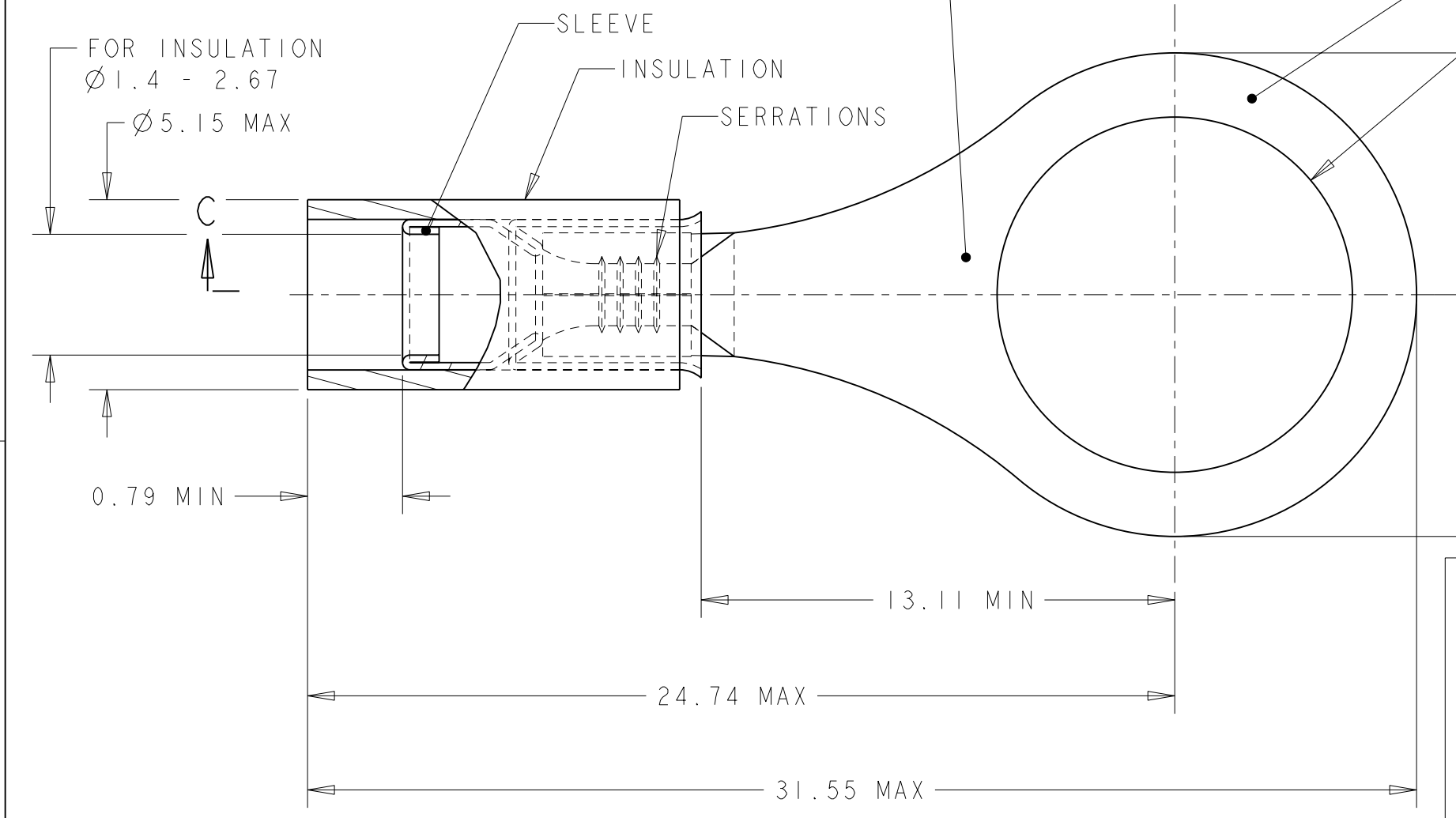
SLEEVE  
 INSULATION  
 SERRATIONS

BODY 0.80±0.03 TONGUE THICKNESS

Ø9.92±0.13 FOR 3/8 STUD



SCALE 2:1



0.79 MIN

13.49±0.15

13.11 MIN

24.74 MAX

31.55 MAX

WIRE TERMINAL	1577636-1	BODY : COPPER ANNEALED FINISH : NICKEL PLATED
		SLEEVE : COPPER ANNEALED FINISH : NICKEL PLATED
		INSULATION : PEEK COLOR : BEIGE
DESCRIPTION	PART NUMBER	MATERIAL & FINISH

THIS DRAWING IS A CONTROLLED DOCUMENT FOR TYCO ELECTRONICS CORPORATION. IT IS SUBJECT TO CHANGE AND THE CONTROLLING ENGINEERING ORGANIZATION SHOULD BE CONTACTED FOR THE LATEST REVISION.

DIMENSIONS: mm	TOLERANCES UNLESS OTHERWISE SPECIFIED:
	0 PLC ± 1 PLC ±0.3 2 PLC ± 3 PLC ± 4 PLC ± ANGLES ±5
MATERIAL SEE TABLE	FINISH SEE TABLE

DWN JJ. DESPRETZ 22FEB2006	Tyco Electronics Tyco Electronics France SAS 95300 Pontoise, France	
CHK G. ROBERT 22FEB2006	NAME TERMINAL, PEEK PIDG STRATO, 18-16 AWG	
APVD Y. PETRONIN 22FEB2006	PRODUCT SPEC 108-15356	RESTRICTED TO -
APPLICATION SPEC 114-15102	WEIGHT 1,34 gr	SCALE 6:1
CUSTOMER DRAWING	SIZE A3 CAGE CODE 00779 DRAWING NO C-1577636	SHEET 1 OF 1 REV CI