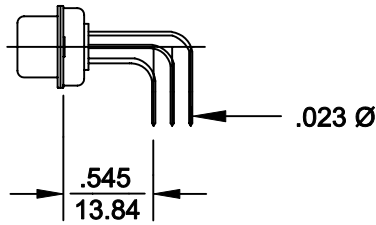
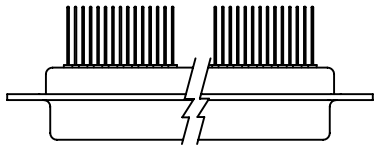
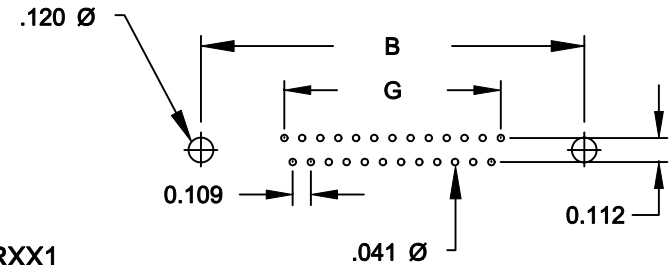
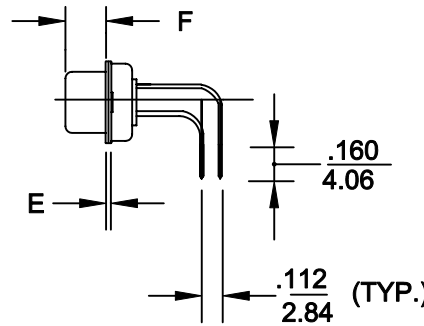
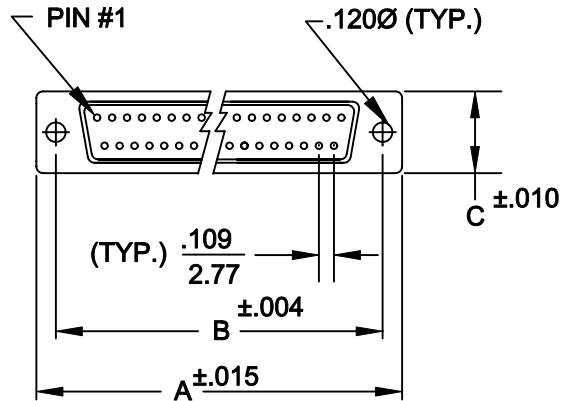


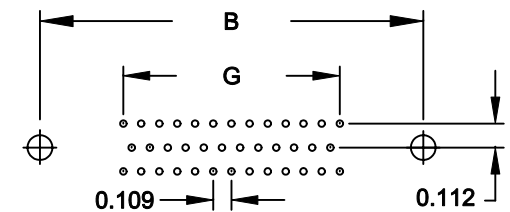
DESCRIPTION: R/A .545 FOOTPRINT MACHINED - FEMALE



	A	B	C	E	F	G
9	1.213	.984	.494	.030	.243	0.436
	30.81	24.99	12.55	0.76	6.17	11.07
15	1.541	1.312	.494	.030	.243	0.763
	39.14	33.32	12.55	0.76	6.17	19.38
25	2.088	1.852	.494	.030	.243	1.308
	53.04	47.04	12.55	0.76	6.17	33.22
37	2.729	2.500	.494	.030	.243	1.962
	69.32	63.50	12.55	0.76	6.17	49.83
50	2.635	2.406	.605	.030	.243	1.744
	69.32	61.11	15.37	0.76	6.17	44.32



(9, 15, 25, 37 POSITIONS)



(50 POSITION)

176-XXX-212RXX1

SERIES

POSITIONS

GENDER

1 = MALE

2 = FEMALE

TERMINATION

1 = PC MOUNT

SHELL PLATING

2 = TIN

HARDWARE OPTIONS

00 = NO HARDWARE

25 = LONG BRACKET WITH 4-40 SCREW

15 = LONG BRACKET WITH 4-40 SCREW LOCK

PLATING OPTIONS

1 = GOLD FLASH

2 = 30 MICRO-INCH GOLD

SPECIFICATIONS:

MATERIALS:

SHELL: STEEL, TIN PLATED

INSULATOR: UL 94V-0 RATED BEIGE PBTP

260°C PROCESS TEMP.

CONTACTS: BRASS

RoHS COMPLIANT

ELECTRICALS:

CURRENT RATING: 5 AMPS

CONTACT RESISTANCE: 15 mOHMS MAX

INSULATOR RESISTANCE: 1000 MOHMS MIN

VOLTAGE: 500V AC FOR 1 MINUTE

TEMPERATURE: -50°C TO +100°C



THESE DRAWINGS AND SPECIFICATIONS ARE THE PROPERTY OF NorComp AND SHALL NOT BE REPRODUCED, COPIED OR USED AS THE BASIS FOR THE MANUFACTURE OF SALE OF APPARATUS WITHOUT WRITTEN PERMISSION.

DRAWN: WAYNE ROBBINS

DATE: 9-17-05

CHECKED:

DATE:

SCALE: 1:1

SHEET 1 OF 1

REV 1

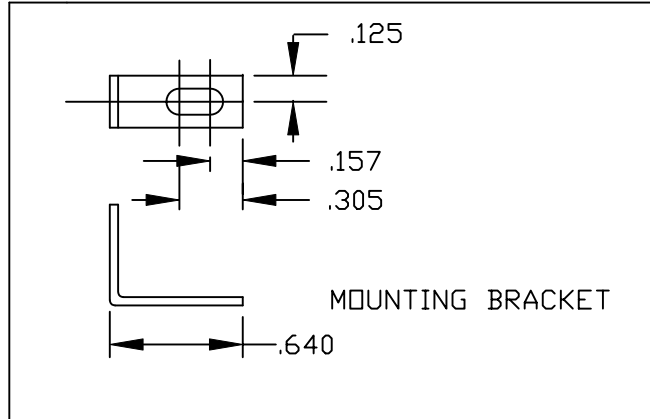
NorComp

DWG NO.

176-XXX-212R001

DESCRIPTION:

173/174 SERIES



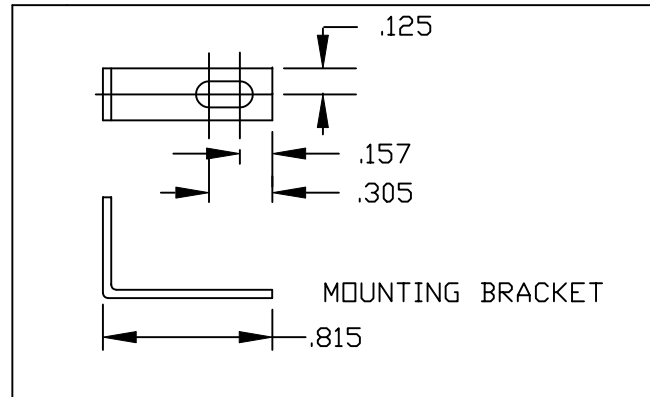
HARDWARE OPTIONS

REPLACE -XX IN LAST 3 DIGITS WITH OPTION CHOSEN

173/174 SERIES

- 14X = SHORT BRACKET & 4-40 FEMALE HEX SOCKET
- 24X = SHORT BRACKET & 4-40 SCREW


175/176 SERIES



175/176 SERIES

- 15X = LONG BRACKET & 4-40 FEMALE HEX SOCKET
- 25X = LONG BRACKET & 4-40 SCREW

MATERIAL:  
COLD ROLLED STEEL  
  
PLATING:  
CLEAR ZINC

	THESE DRAWINGS AND SPECIFICATIONS ARE THE PROPERTY OF NorComp AND SHALL NOT BE REPRODUCED, COPIED OR USED AS THE BASIS FOR THE MANUFACTURE OF SALE OF APPARATUS WITHOUT WRITTEN PERMISSION.		DRAWN: PAM JENKINS	DATE: 2-20-02
			CHECKED:	DATE:
<h1>NorComp</h1>			SCALE:	SHEET 1 OF 1
			DWG NO. R/A BRACKET OPTIONS FOR MACHINED CONTACTS	