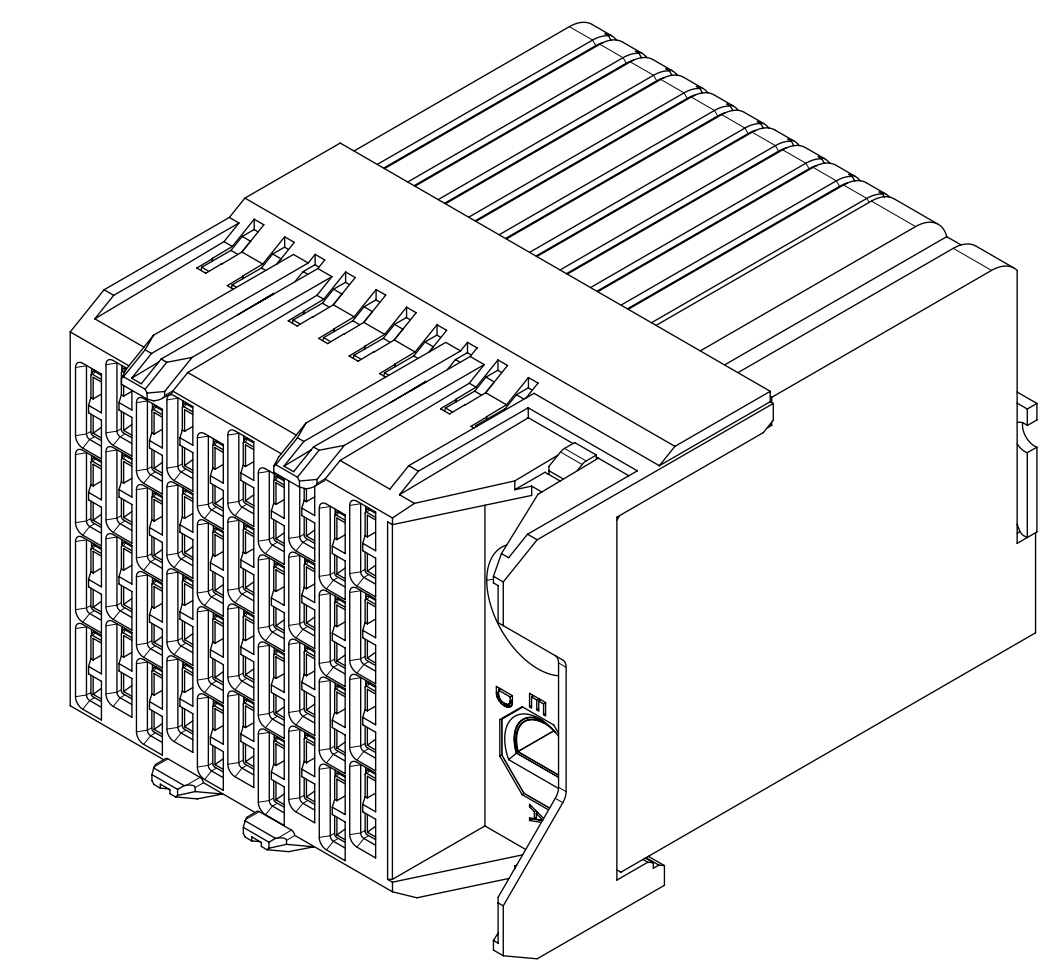


- NOTES:
1. MATERIALS: HOUSING - LIQUID CRYSTAL POLYMER (LCP) GLASS-FILLED, UL94V-0
TERMINALS - HIGH PERFORMANCE COPPER ALLOY
 2. FINISH: 30uIN GOLD IN CONTACT AREA.
SELECTIVE TIN ON PCB TAILS.
NICKEL OVERALL.
 3. REFER TO MOLEX PRODUCT SPECIFICATION PS-171320-999 FOR PERFORMANCE SPECIFICATIONS.
 4. THIS PART CONFORMS TO CLASS B REQUIREMENTS OF MOLEX COSMETIC SPEC PS-45499-002.
 5. PRODUCT WILL BE PACKAGED PER PK-78888-085.
 6. SEE SHEET 2 FOR HOLE PATTERN DIMENSIONS.
 7. MATES WITH IMPEL BP SERIES NUMBER 171315.
 8. REFER TO IMPEL PCB ROUTING GUIDE AS-171320-990 FOR ANTIPAD, ROUTING RECOMMENDATIONS, AND ADDITIONAL PCB INFORMATION.
 9. WHEN STACKING MODULES END TO END, THE MINIMUM COLUMN TO COLUMN HOLE SPACING IS 2.65mm.
 10. WHEN USING THE SUPPLIED 2-32 THREAD FORMING SCREW, (P/N 73726-0000), THE MAXIMUM RECOMMENDED BOARD THICKNESS IS 4.4mm.



QUALITY SYMBOLS		THIS DRAWING CONTAINS INFORMATION THAT IS PROPRIETARY TO MOLEX ELECTRONIC TECHNOLOGIES, LLC AND SHOULD NOT BE USED WITHOUT WRITTEN PERMISSION			
▽ = 0	REMASTERED TO NX	GENERAL TOLERANCES (UNLESS SPECIFIED)		DIMENSION UNITS	SCALE
▽ = 0	EC NO: 119227	ANGULAR TOL ± 0.5 °		MM ONLY	4:1
▽ = 0	DRWN: SCHANNARAYAN	4 PLACES ±	DRWN BY	DATE	
▽ = 0	CHKD: CYLIAW	3 PLACES ±	JLAURX	2012/11/19	
▽ = 0	REV / APPR: DWLE01	2 PLACES ± 0.13	CHKD BY	DATE	
▽ = 0		1 PLACE ± 0.25	CYLIAW	2017/08/11	
▽ = 0		0 PLACES ±	APPR BY	DATE	
▽ = 0		DRAFT WHERE APPLICABLE MUST REMAIN WITHIN DIMENSIONS	JBINGHAM	2014/06/06	
▽ = 0			DRAWING SIZE	THIRD ANGLE PROJECTION	
			C		
		SERIES		MATERIAL NUMBER	CUSTOMER
		171320		SEE CHART	GENERAL MARKET
		DOCUMENT NUMBER		DOC TYPE	DOC PART SHEET NUMBER
		SD-171320-0004		PSD	001 1 OF 2

MATERIAL NUMBER	NUMBER OF COLUMNS	NUMBER OF DIFF PAIR	DIM "A"	DIM "B"
171320-5*36	6	24	19.60 MAX	9.50
171320-5*38	8	32	23.40 MAX	13.30
171320-5*20	10	40	27.20 MAX	17.10
171320-5*22	12	48	31.00 MAX	20.90
171320-5*26	16	64	38.60 MAX	28.50

171320-5***

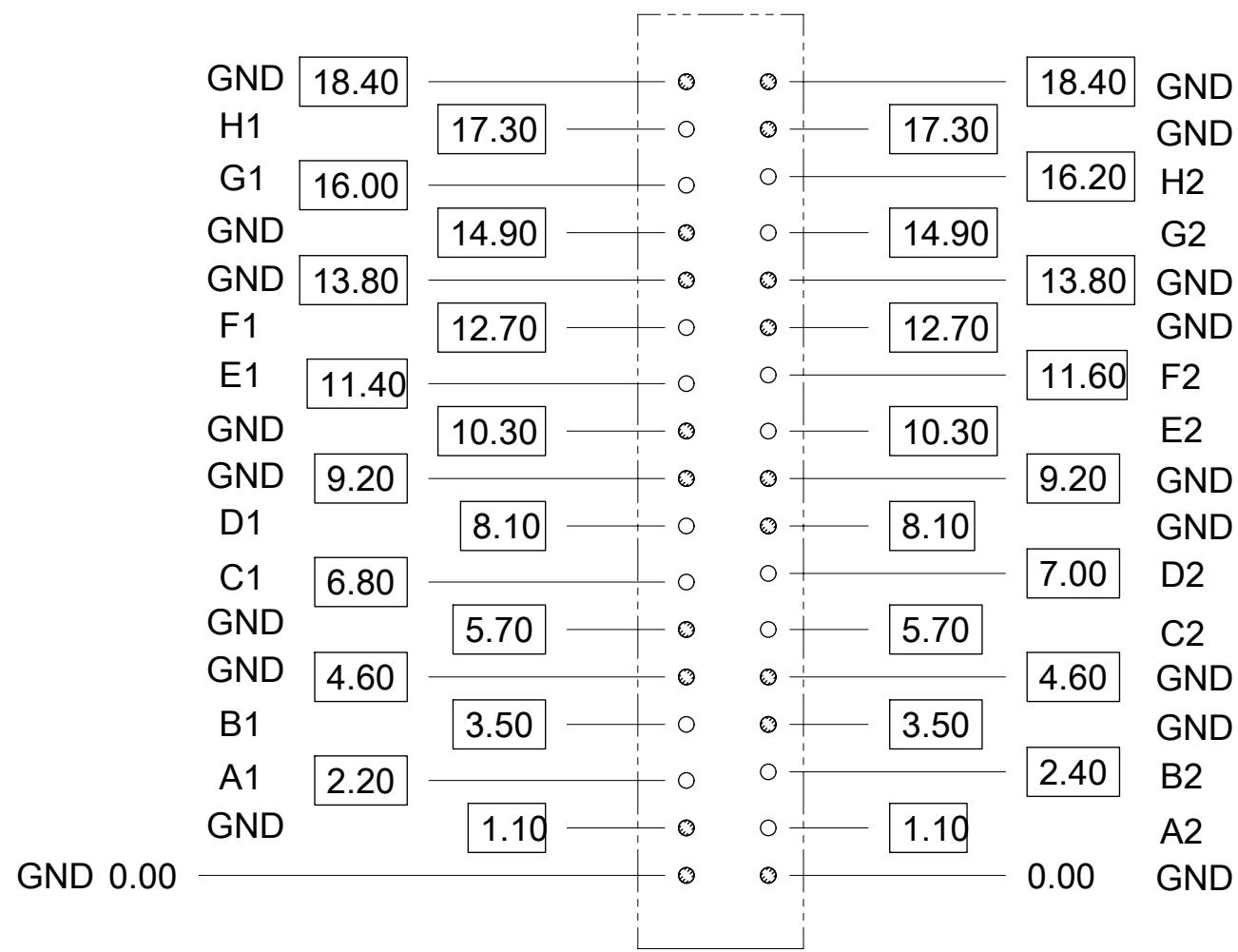
MODULE TYPE
5 = GUIDE RIGHT

KEY ORIENTATION

0 = NO KEY
1 = A 5 = E
2 = B 6 = F
3 = C 7 = G
4 = D 8 = H

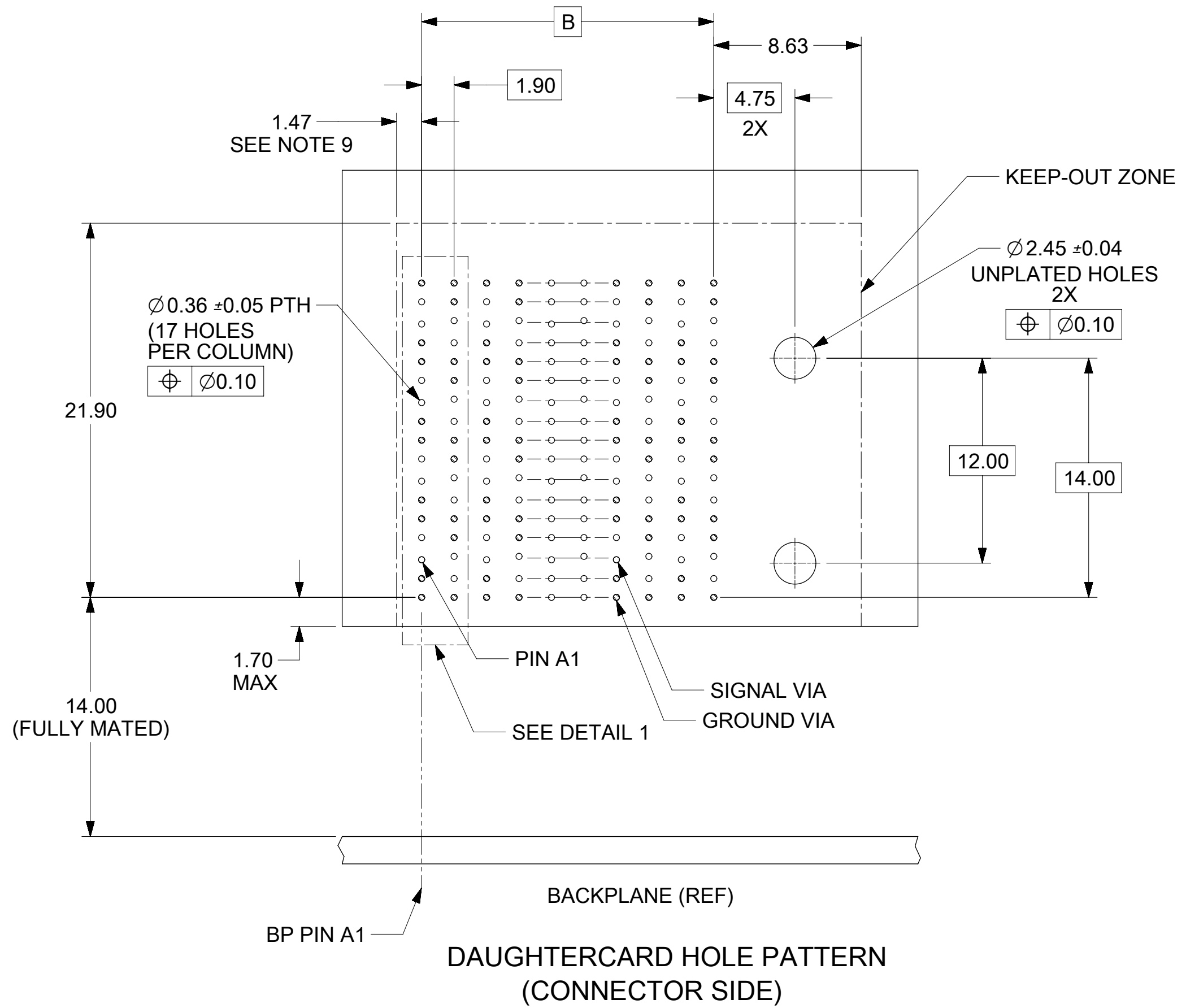
COLUMN SIZE

36 = 6 COLUMN
38 = 8 COLUMN
20 = 10 COLUMN
22 = 12 COLUMN
26 = 16 COLUMN



ODD COLUMN DIMENSIONS EVEN COLUMN DIMENSIONS

DETAIL 1
SCALE 6:1



QUALITY SYMBOLS	THIS DRAWING CONTAINS INFORMATION THAT IS PROPRIETARY TO MOLEX ELECTRONIC TECHNOLOGIES, LLC AND SHOULD NOT BE USED WITHOUT WRITTEN PERMISSION			
▽ = 0	REMASTERED TO NX EC NO: 119227 DRWN: SCHANNARAYAN CHKD: CYLIAW REV APPR: DWLE01	GENERAL TOLERANCES (UNLESS SPECIFIED)		DIMENSION UNITS
▽ = 0		ANGULAR TOL ± 0.5 °		MM ONLY
▽ = 0		4 PLACES ±	SCALE	1:1
▼ = 0		3 PLACES ±	DRWN BY	JLAURX
▽ = 0		2 PLACES ± 0.13	DATE	2012/11/19
⊠ = 0		1 PLACE ± 0.25	CHKD BY	CYLIAW
■ = 0		0 PLACES ±	DATE	2017/08/11
▽ = 0		DRAFT WHERE APPLICABLE MUST REMAIN WITHIN DIMENSIONS	APPR BY	JBINGHAM
			DATE	2014/06/06
			DRAWING SIZE	C
		THIRD ANGLE PROJECTION		
		SERIES	171320	
		MATERIAL NUMBER	SEE CHART	
		CUSTOMER	GENERAL MARKET	
		DOCUMENT NUMBER	SD-171320-0004	
		DOC TYPE	PSD	
		DOC PART	001	
		SHEET NUMBER	2 OF 2	