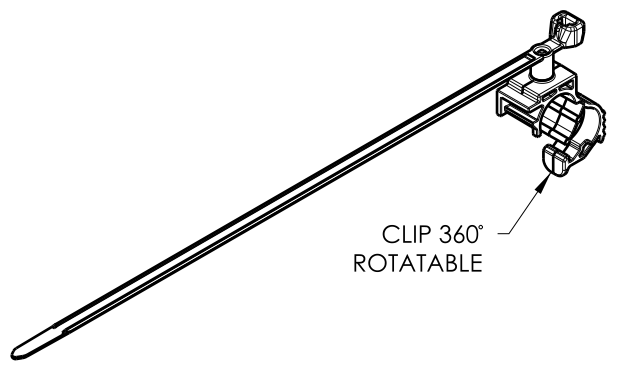
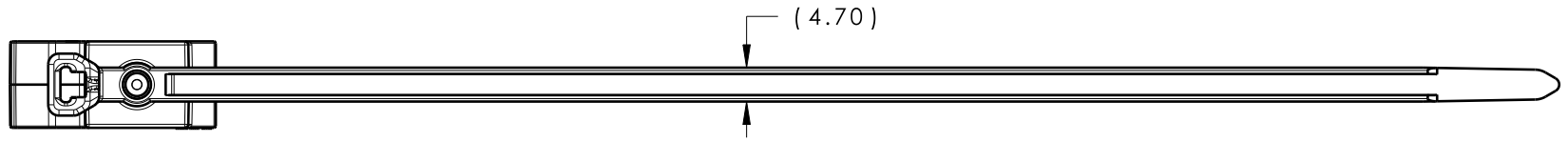
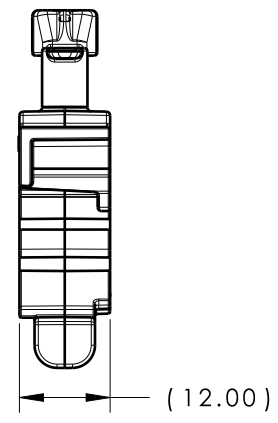
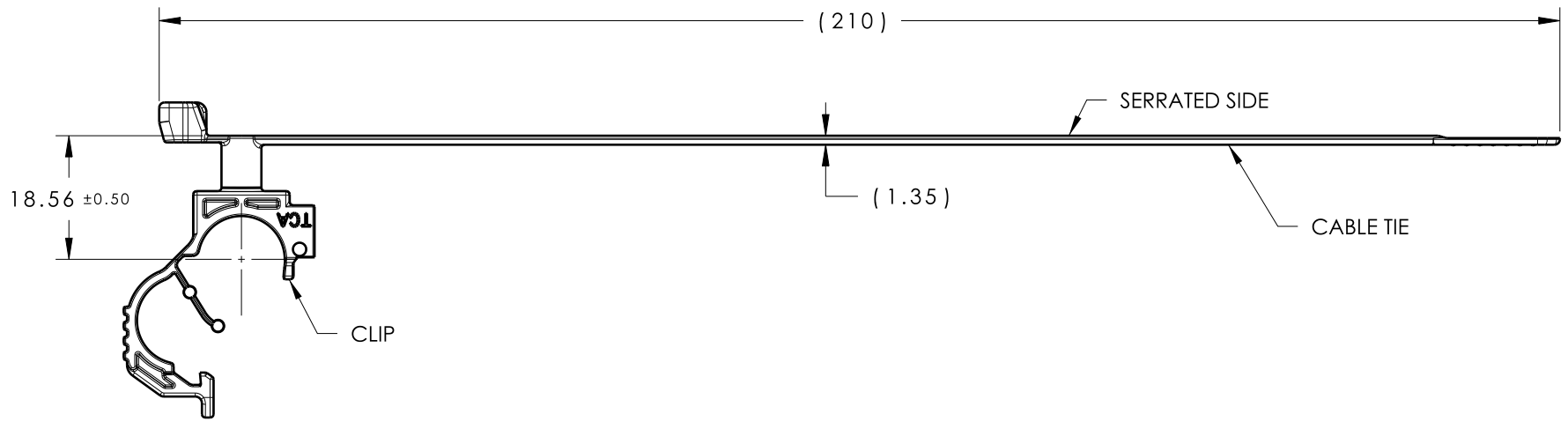


Revision Level			Revision Record	Changed	Date	Approved	Date
Drawing	State	Part					
00.0	Design Release	-	SEE ECN# 014134	KVH	11/3/17	EJH	11/3/17



ISOMETRIC VIEW
SCALE 1:2



GLOBAL PART NAME	BUNDLE RANGE	CABLE TIES			CLIP		
		DRAWING	MATERIAL	COLOR	DRAWING	MATERIAL	COLOR
T50SMVC-LOC59VC-PA66HS/PA66HIRHS-BK	2 TO 50	14-0606-002-CSU	PA66HS	BLACK	12-0430-031-CSU	PA66HIRHS	BLACK

Material SEE CHART COLOR: SEE CHART	Units	millimeters	The copyright of this drawing is reserved by HellermannTyton. It is issued on condition that it is not reproduced, copied or disclosed to a third party, either wholly or in part, without the consent of HellermannTyton.	Drawn	KVH	11/3/17	Article/Type-No	T50SMVCLOC5-9	Scale	1:1		
	Tolerance defined on each dimension	Approved		EJH	11/3/17	Title	T50 TIE STRAP WITH 5-9mm LOCKING OMEGA CLIP		Project Number	12-0430		
		HellermannTyton North America Email: corp@htamericas.com Web: www.hellermann.tyton.com						Drawing-No	PRODUCTION : Phase	Format	B	
								12-0430-121-CSU		Sheet	1/1	