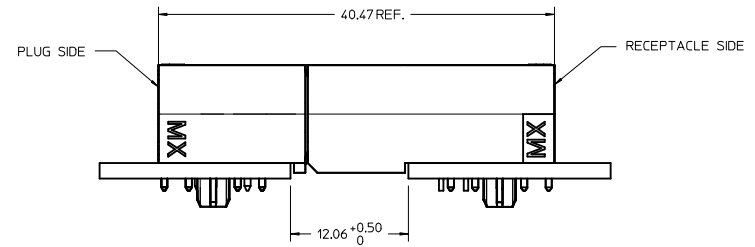
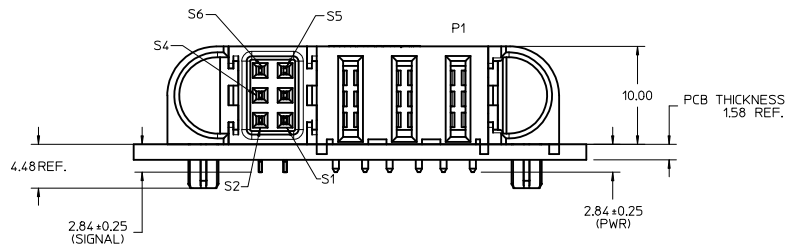


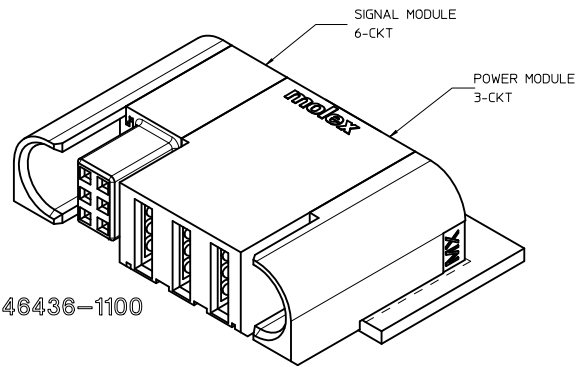
RECOMMENDED PCB LAY-OUT AND KEEP-OUT ZONE



NOTES:

- MATERIAL:
  - HOUSINGS: LCP UL94 V-0, COLOR: BLACK.
  - TERMINALS: COPPER ALLOY.
  - PLATING: 0.000127 NICKEL OVERALL WITH 0.00254 SELECTIVE MATTE TIN ON COMPLIANT PINS.
- AND 0.000762 SELECTIVE GOLD ON CONTACT AREA.
- PACKAGING ASSEMBLIES TO BE TRAY PACKED. STD. QUANTITY: TBD.
- PC BOARD REQUIRES SOLDER THRU HOLES. REFER TO PS-46436-100 FOR DETAILS.
- PRODUCT SPEC: PS-46436-100.
- APPLICATION SPEC: AS-46436-100.
- PRODUCT TO MEET RoHS REQUIREMENTS.
- ASSEMBLY MATES WITH MOLEX PLUG ASSEMBLY, P/N 46437-1100.

MOLEX P/N: 46436-1100



PRELIMINARY EC NO: UCP2010-1194 DRAWN BY: BKOSTIC 2009/11/16 CHECKED BY: CHYKOBKOSTIC 2009/11/24 APPR: APATEL 2009/12/10	QUALITY SYMBOLS	GENERAL TOLERANCES (UNLESS SPECIFIED)	DIMENSION STYLE <b>MM ONLY</b>	SCALE <b>4:1</b>	DESIGN UNITS <b>METRIC</b>	THIRD ANGLE PROJECTION
		mm    INCH	DRAWN BY    DATE BKOSTIC    2009/11/16	TITLE <b>RA RECEPTACLE ASSY 3P-6S TEN60 POWER FAMILY</b>		
		4 PLACES ± --- ± ---	CHECKED BY    DATE BKOSTIC    2009/11/16	MOLEX INCORPORATED		
		3 PLACES ± --- ± ---	APPROVED BY    DATE	MATERIAL NO. <b>46436-1100</b>	DOCUMENT NO. <b>SD-46436-1100</b>	SHEET NO. 1 OF 1
	2 PLACES ± 0.25 ± ---		DRAFT WHERE APPLICABLE MUST REMAIN WITHIN DIMENSIONS			
	1 PLACE ± 0.25 ± ---		THIS DRAWING CONTAINS INFORMATION THAT IS PROPRIETARY TO MOLEX INCORPORATED AND SHOULD NOT BE USED WITHOUT WRITTEN PERMISSION			
	ANGULAR ±1/2°					