

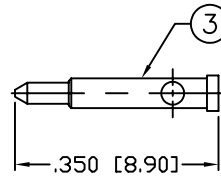
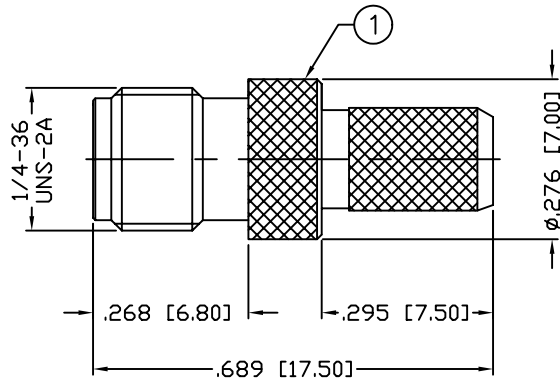
THIS DRAWING CONTAINS INFORMATION PROPRIETARY TO RF INDUSTRIES.  
 ANY UNAUTHORIZED USE OF THIS DRAWING IS EXPRESSLY PROHIBITED  
 WITHOUT WRITTEN PERMISSION FROM RF INDUSTRIES.  
 ANY VIOLATION IS PUNISHABLE UNDER U.S. COPYRIGHT LAWS.

ALL DIMENSIONS ARE REFERENCE ONLY

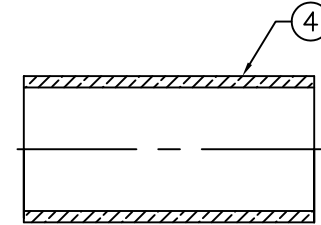
PART NO.

**RP-3050-1C**

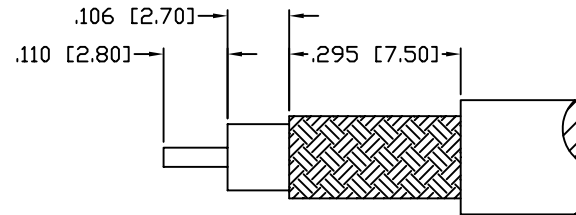
REV	DESCRIPTION	DWN	DATE	APPROVED
-	ENGINEERING RELEASE	CZS	12/14/01	JDMc
A	CHANGE FROM 7777 TO 8974	CZS	10/7/05	JDMc



SOLDER ONLY



RECOMMENDED CRIMP DIE: .213"



RECOMMENDED STRIPPING DIM'S

SPECIFICATIONS:

IMPEDANCE: 50 Ohms  
 FREQUENCY RANGE: 0-12.4 GHz  
 INSERTION LOSS(dB):  $0.03 \times \sqrt{f}(\text{GHz})$   
 VSWR: 1.3 MAX.  
 WORKING VOLTAGE: 500 V rms Max. @ Sea Level (RG-58)  
 INSULATION RESISTANCE: 5k M Ohms min.  
 TEMPERATURE RANGE: -65°C TO 165°C  
 FOR RG-58, 58A, 58C, 141, 141A, BELDEN 8240, 9907  
 8259, 8262, 9201, 9203, 9310, 9311 & COMM/SCOPE 0268

1	BODY	1	BRASS	GOLD, 5 $\mu$ "	008974	
2	INSULATOR	1	PTFE	---		
3	PIN	1	BRASS	GOLD, 50 $\mu$ "		
4	FERRULE	1	BRASS	GOLD, 5 $\mu$ "		
5						
6						
7						
8						
9						
10					DRAWN C. ZUNIGA	
11					10/7/05	
12					CHECKED	
13					ORJ DRAWN C. ZUNIGA	
14					2/14/01	
#	DESCRIPTION	QTY	MATERIAL	FINISH	APPROVALS	DATE

UNLESS OTHERWISE SPECIFIED:

DIMENSIONS ARE IN INCHES AND [MILLIMETERS]  
 UNLESS OTHERWISE NOTED TOLERANCES ARE:

DECIMALS	DIAMETER
----------	----------

**RF connectors**  
 DIVISION OF RF INDUSTRIES, LTD.

7610 MIRAMAR RD  
 SAN DIEGO, CA 92126  
 (858) 549-6340  
 (858) 549-6345 FAX

**SMA JACK, CRIMP**  
 REVERSE POLARITY

SIZE A	CABLE GROUP C	DWG NO. RP-3050-1C	REV A
-----------	------------------	-----------------------	----------

SCALE: NTS      CAD FILE OUTLINE      SHEET 1 OF 1