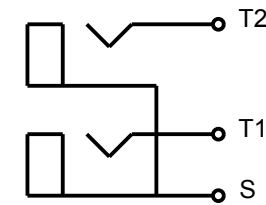
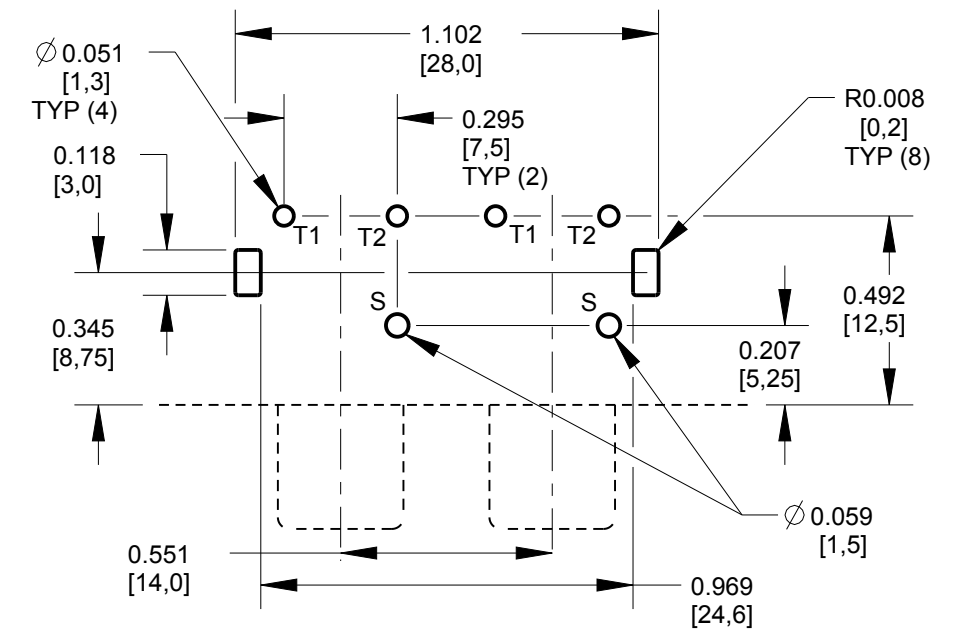


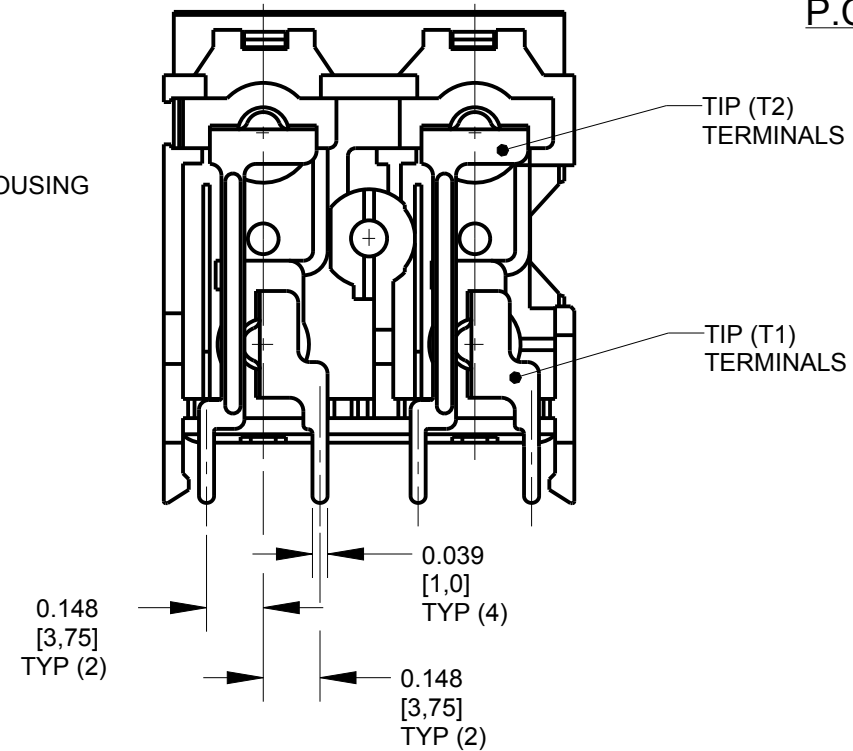
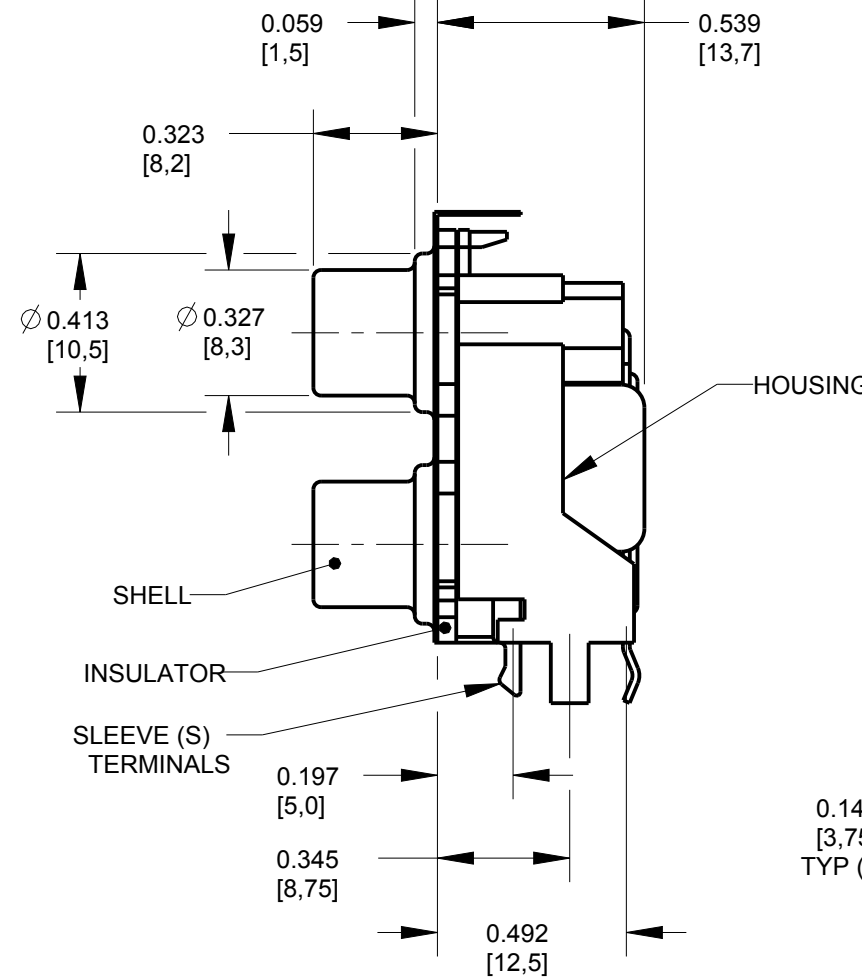
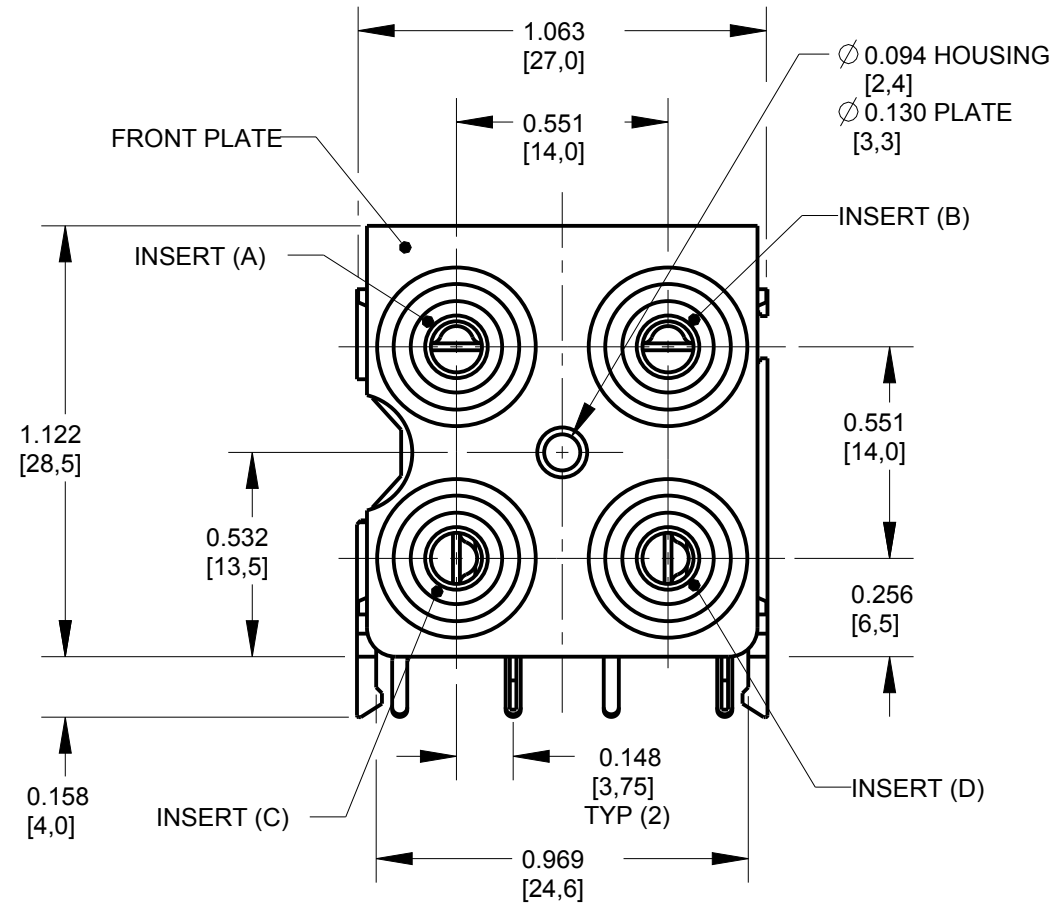
PART NUMBER	INSERT COLOR	INSERT COLOR	SHELL AND SLEEVE TERMINAL FINISH	TIP TERMINAL FINISH	FRONT PLATE FINISH
	A	B			
PJRAS2X2S01X	WHITE	WHITE	NICKEL PLATED	TIN PLATED	NICKEL PLATED
	RED	RED			
PJRAS2X2S01AUX	WHITE	WHITE	GOLD PLATED	TIN PLATED	NICKEL PLATED
	RED	RED			
PJRAS2X2S01AUALLX	WHITE	WHITE	GOLD PLATED	GOLD PLATED	GOLD PLATED
	RED	RED			



SCHEMATIC
TYP (2) JACKS



P.C. BOARD LAYOUT
COMPONENT SIDE



NOTES:

- ALL DIMENSIONS ARE REFERENCE.
 - MATERIALS:
 - B** HOUSING: ABS OR PBT, UL-94HB, BLACK
 - B** COLOR INSERT: POM OR PBT, UL-94HB
 - B** INSULATOR: POM OR PBT, UL-94HB
 - THIS PART IS RoHS COMPLIANT
- SHELL & SLEEVE TERMINALS: COPPER ALLOY, SEE TABLE
TIP TERMINALS: COPPER ALLOY, SEE TABLE
FRONT PLATE: COPPER ALLOY, SEE TABLE

CUSTOMER DRAWING

REVISIONS					☆ STAR SYMBOL DENOTES CRITICAL DIMENSION UNLESS OTHERWISE SPECIFIED 1. ALL DIMENSIONS IN INCHES -TWO PLACE DECIMALS ±0.01 -THREE PLACE DECIMALS ±0.005 -ANGLES ±1° -ALL DIA. CONCENTRIC WITHIN 0.005 T.I.R. 2. FEATURES ON THE SAME CENTERLINE MUST BE ALIGNED WITHIN ±0.002 3. REMOVE ALL BURRS DO NOT SCALE DRAWING	THIS DRAWING DESCRIBES A DESIGN CONSIDERED PROPRIETARY IN NATURE, DEVELOPED AND MANUFACTURED BY SWITCHCRAFT INC. AND IS RELEASED ON A CONFIDENTIAL BASIS FOR IDENTIFICATION PURPOSES ONLY.					
REV	ECO NUMBER	DATE	BY	APVD		SIZE	WIDTH	MULT	LBS/M	TEMPER	
B	27929	08-17-17	PC	TJK	FINISH		MATERIAL				
A	25181	1-13-06	JL	TJK	SPEC No.		SPEC No.				
					FIRST USED ON		SCALE				
					DATE DRAWN		2:1				
					13-Jan-06	BY JL	CHKD TJK	APVD TJK	SHEET 1 OF 1		
					NAME PHONO JACK, RIGHT ANGLE, 4 POS. SCREW MOUNT, SHIELDED, RoHS					PART No. PJRAS2X2S__X SERIES	REV B