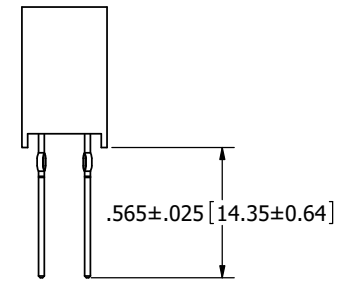
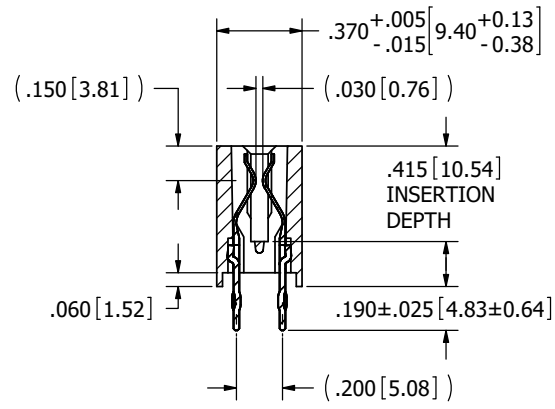
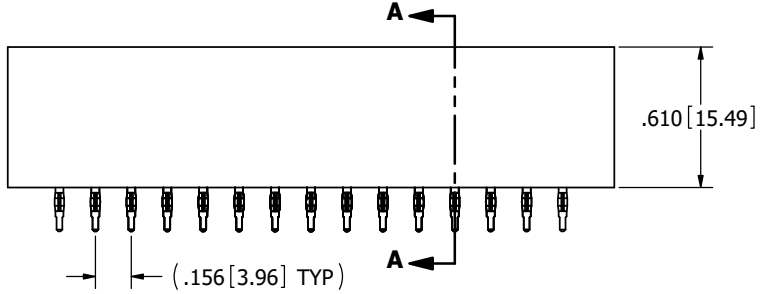
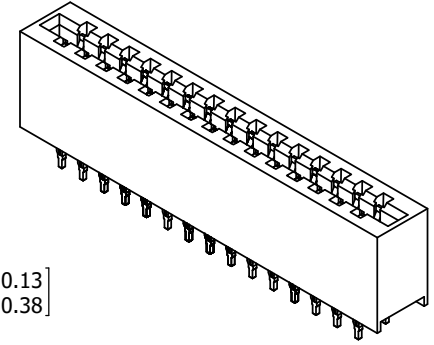
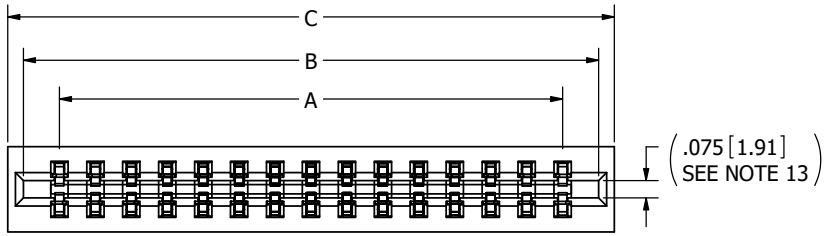


REVISIONS				
REV.	ECO. NO	DESCRIPTION	DATE	BY
C	2511	REMOVED 'B' MOUNTING & UPDATED DWG FORMAT	2/18/2013	KV
D	2953	UPDATE NOTE 7 OPERATING VOLTAGE AND NOTE 16 HOLE SIZE REQUIREMENTS	6/30/2014	JHSU
E	4670	ADD 04 POSITION, INSULATOR COLOR	5/3/2023	JH



SECTION A-A

ECM_DJWN
STANDOFF: YES
SCOOP: NO

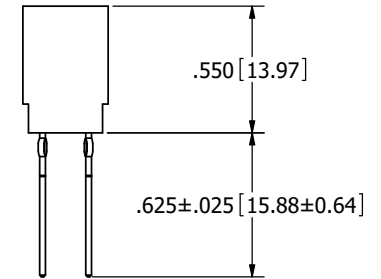
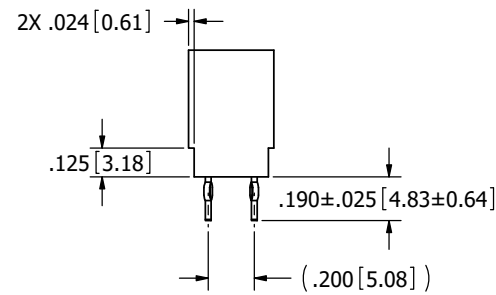
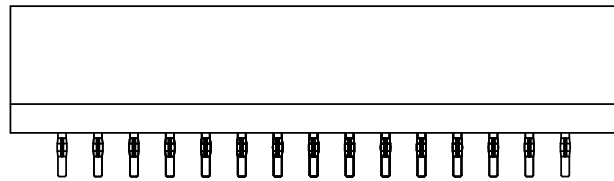
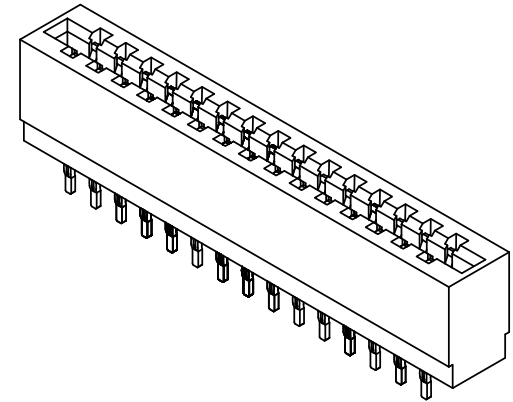
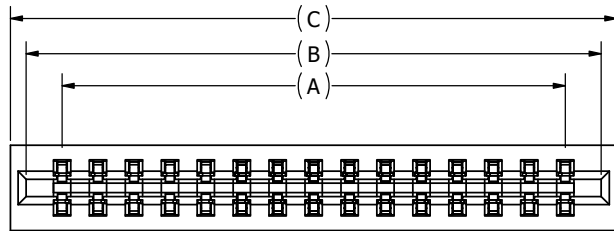
ECM_DJXN
STANDOFF: YES
SCOOP: NO

- NOTES:**
- INSULATOR MATERIAL: BLACK PBT
 - CONTACT MATERIAL: PHOSPHOR BRONZE
 - PLATING: .000050" MIN NICKEL UNDERPLATE
CONTACT SURFACE: .000030" GOLD
TERMINATION: .000100" PURE TIN, MATTE
 - OPERATING TEMPERATURE: -65°C TO +125°C
 - PROCESSING TEMP: WAVE/MANUAL SOLDERING ONLY
 - UL FLAMMABILITY RATING: 94V-0
 - DIELECTRIC WITHSTANDING VOLTAGE: 2000 VAC AT SEA LEVEL
 - CURRENT RATING: 3 AMPS
 - CONTACT RESISTANCE: 30 MILLI OHMS MAX
 - INSULATION RESISTANCE: 5000 MEGA OHMS
 - DURABILITY: 500 CYCLES MIN
 - CONNECTOR IDENTIFICATION: THE PART SHALL BE MARKED WITH A PART NUMBER AND LOT CODE
 - BOARD THICKNESS ACCOMMODATED: .062 ± .008 [1.57 ± 0.20]
 - INSERTION FORCE: 16 OZ MAX PER CONTACT PAIR WHEN USING A .062 [1.57] TEST BLADE
INTERNAL INSPECTION TO BE PER SULLIN'S WORK INSTRUCTION WI-8.6-03
 - WITHDRAWAL FORCE: 1 OZ MIN PER CONTACT PAIR USING .062 [1.57] TEST BLADE
 - HOLE SIZE REQUIREMENTS:
DRILLED HOLE DIAMETER: .0453 ± .0010 [1.150 ± 0.025]
PLATING: .001 [0.03] TO .003 [0.08] COPPER, .0003 [0.008] MINIMUM TIN
FINISHED HOLE DIAMETER: .040 ± .003 [1.02 ± 0.08]
 - RECOMMENDED MOTHER BOARD THICKNESS: .093 [2.36] TO .125 [3.18] THICK
 - MODIFICATION: SEE PART NUMBER CODING

CUSTOMER COPY



UNLESS OTHERWISE SPECIFIED, DIMENSIONS ARE IN INCHES [MM]		DRAWN	DATE	NAME	
TOLERANCES: ANGULAR: ± 1° DECIMALS XX= ± .02 [5] XXX= ± .005 [13] XXXX= ± .0005 [013]		03/26/08		MNH	
<small>THE INFORMATION HEREIN CONTAINS PROPRIETARY INFORMATION OF SULLINS ELECTRONICS AND IS NOT TO BE REPRODUCED, USED OR DISCLOSED TO OTHERS FOR ANY PURPOSE EXCEPT AS SPECIFICALLY AUTHORIZED IN WRITING BY AN OFFICER OF SULLINS ELECTRONICS.</small>					TITLE EDGECARD, .156 CC, PRESS FIT
PART NUMBER ECM_D_(JB, JC, JW, JX)N (-S1136)					SIZE C 54453
					DWG. NO. C11081
SCALE: 3:1.25					REV E
SHEET 1 OF 5					



ECM_DJBN
STANDOFF: NO
SCOOP: NO

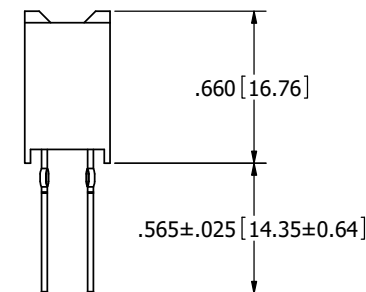
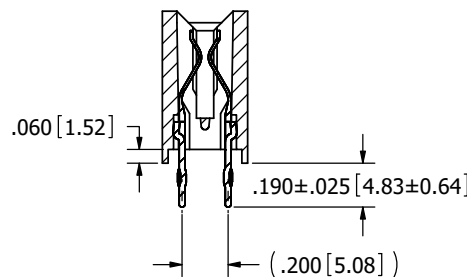
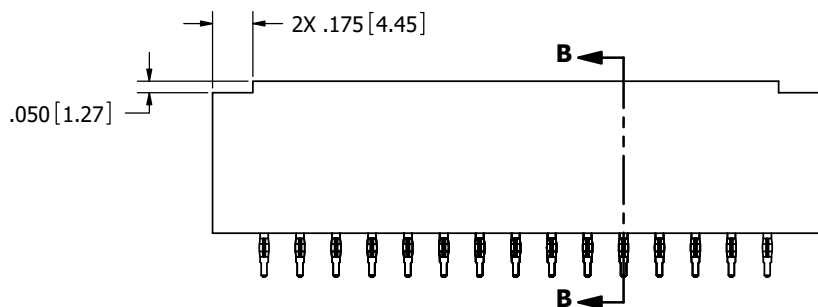
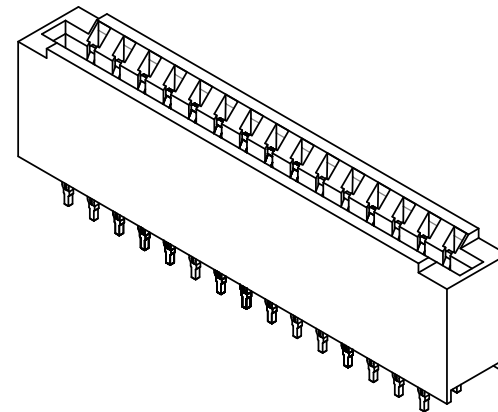
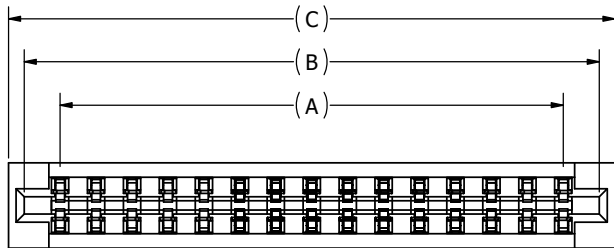
ECM_DJCN
STANDOFF: NO
SCOOP: NO

CUSTOMER COPY



RoHS COMPLIANT

UNLESS OTHERWISE SPECIFIED: DIMENSIONS ARE IN INCHES (MM)		DRAWN	DATE	NAME	
			03/26/08	MNH	
TOLERANCES: ANGULAR: $\pm 1^\circ$ DECIMALS .XX = $\pm .02 [5]$.XXX = $\pm .005 [13]$.XXXX = $\pm .0005 [013]$		<small>THE INFORMATION HEREIN CONTAINS PROPRIETARY INFORMATION OF SULLINS ELECTRONICS AND IS NOT TO BE REPRODUCED, USED OR DISCLOSED TO OTHERS FOR ANY PURPOSE EXCEPT AS SPECIFICALLY AUTHORIZED IN WRITING BY AN OFFICER OF SULLINS ELECTRONICS.</small>			TITLE
					EDGE CARD, .156 CC, PRESS FIT
					PART NUMBER
					ECM_D_(JB, JC, JW, JX)N (-S1136)
SIZE	CAGE CODE	DWG. NO.	REV		
C	54453	C11081	E		
SCALE: 3:1.25		SHEET 2 OF 5			



SECTION B-B

ECM_DJWN-S1136
STANDOFF: YES
SCOOP: YES

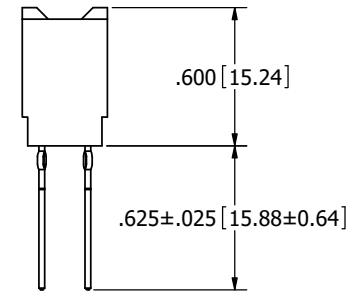
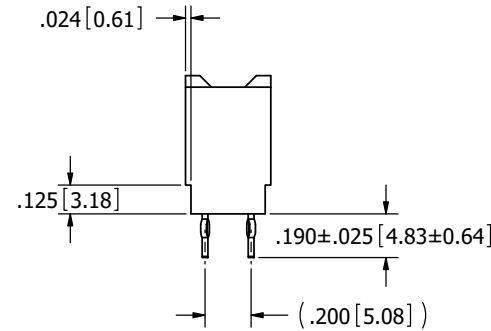
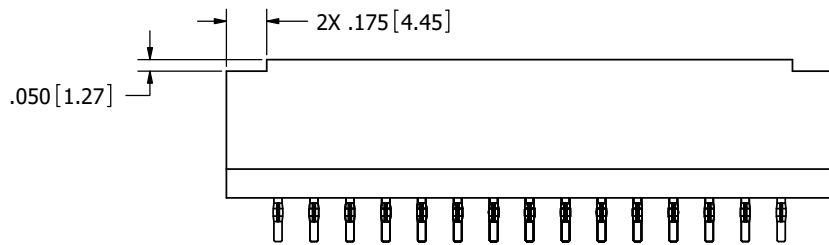
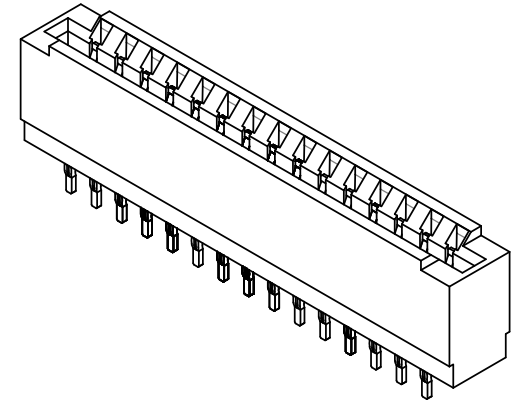
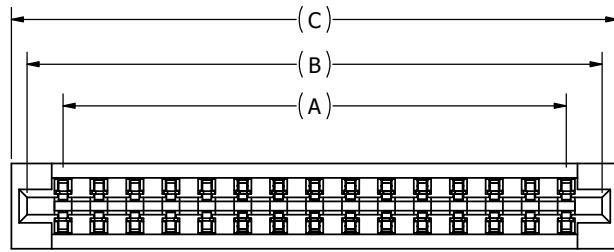
ECM_DJXN-S1136
STANDOFF: YES
SCOOP: YES

CUSTOMER COPY



RoHS COMPLIANT

UNLESS OTHERWISE SPECIFIED: DIMENSIONS ARE IN INCHES (MM)		DRAWN	DATE	NAME	
			03/26/08	MNH	
TOLERANCES: ANGULAR: $\pm 1^\circ$ DECIMALS .XX = $\pm .02 [5]$.XXX = $\pm .005 [13]$.XXXX = $\pm .0005 [013]$					THE INFORMATION HEREIN CONTAINS PROPRIETARY INFORMATION OF SULLINS ELECTRONICS AND IS NOT TO BE REPRODUCED, USED OR DISCLOSED TO OTHERS FOR ANY PURPOSE EXCEPT AS SPECIFICALLY AUTHORIZED IN WRITING BY AN OFFICER OF SULLINS ELECTRONICS.
TITLE					EDGE CARD, .156 CC, PRESS FIT
PART NUMBER					ECM_D_(JB, JC, JW, JX)N (-S1136)
SIZE	CAGE CODE	DWG. NO.		REV	
C	54453	C11081		E	
SCALE: 3:1.25				SHEET 3 OF 5	



ECM_DJBN-S1136
STANDOFF: NO
SCOOP: YES

ECM_DJCN-S1136
STANDOFF: NO
SCOOP: YES

CUSTOMER COPY



RoHS COMPLIANT

UNLESS OTHERWISE SPECIFIED:
 DIMENSIONS ARE IN INCHES (MM)

TOLERANCES:
 ANGULAR: $\pm 1^\circ$

DECIMALS
 .XX = $\pm .02 [5]$
 .XXX = $\pm .005 [13]$
 .XXXX = $\pm .0005 [13]$

DRAWN	DATE	NAME
	03/26/08	MNH

THE INFORMATION HEREIN CONTAINS
 PROPRIETARY INFORMATION OF
 SULLINS ELECTRONICS AND IS NOT
 TO BE REPRODUCED, USED OR
 DISCLOSED TO OTHERS FOR ANY
 PURPOSE EXCEPT AS SPECIFICALLY
 AUTHORIZED IN WRITING BY AN
 OFFICER OF SULLINS ELECTRONICS.

SULLINS CONNECTOR SOLUTIONS			
TITLE EDGE CARD, .156 CC, PRESS FIT			
PART NUMBER ECM_D_(JB, JC, JW, JX)N (-S1136)			
SIZE C	CAGE CODE 54453	DWG. NO. C11081	REV E
SCALE: 3:1.25			SHEET 4 OF 5

PART NUMBER	NO. OF POSITIONS	A±.008[0.20]		B±.008[0.20]		C±.015[0.38]	
		INCH	MM	INCH	MM	INCH	MM
ECM04D	4	0.468	11.89	0.788	20.02	0.916	23.27
ECM05D	5	0.624	15.85	0.944	23.98	1.072	27.23
ECM06D	6	0.780	19.81	1.100	27.94	1.228	31.19
ECM07D	7	0.936	23.77	1.256	31.90	1.384	35.15
ECM08D	8	1.092	27.74	1.412	35.86	1.540	39.12
ECM09D	9	1.248	31.70	1.568	39.83	1.696	43.08
ECM10D	10	1.404	35.66	1.724	43.79	1.852	47.04
ECM11D	11	1.560	39.62	1.880	47.75	2.008	51.00
ECM12D	12	1.716	43.59	2.036	51.71	2.164	54.97
ECM13D	13	1.872	47.55	2.192	55.68	2.320	58.93
ECM14D	14	2.028	51.51	2.348	59.64	2.476	62.89
ECM15D	15	2.184	55.47	2.504	63.60	2.632	66.85
ECM16D	16	2.340	59.44	2.660	67.56	2.788	70.82
ECM17D	17	2.496	63.40	2.816	71.53	2.944	74.78
ECM18D	18	2.652	67.36	2.972	75.49	3.100	78.74
ECM19D	19	2.808	71.32	3.128	79.45	3.256	82.70
ECM20D	20	2.964	75.29	3.284	83.41	3.412	86.66
ECM21D	21	3.120	79.25	3.440	87.38	3.568	90.63
ECM22D	22	3.276	83.21	3.596	91.34	3.724	94.59
ECM23D	23	3.432	87.17	3.752	95.30	3.880	98.55
ECM24D	24	3.588	91.14	3.908	99.26	4.036	102.51
ECM25D	25	3.744	95.10	4.064	103.23	4.192	106.48
ECM26D	26	3.900	99.06	4.220	107.19	4.348	110.44
ECM27D	27	4.056	103.02	4.376	111.15	4.504	114.40
ECM28D	28	4.212	106.98	4.532	115.11	4.660	118.36
ECM29D	29	4.368	110.95	4.688	119.08	4.816	122.33
ECM30D	30	4.524	114.91	4.844	123.04	4.972	126.29
ECM31D	31	4.680	118.87	5.000	127.00	5.128	130.25
ECM32D	32	4.836	122.83	5.156	130.96	5.284	134.21
ECM33D	33	4.992	126.80	5.312	134.92	5.440	138.18
ECM34D	34	5.148	130.76	5.468	138.89	5.596	142.14
ECM35D	35	5.304	134.72	5.624	142.85	5.752	146.10
ECM36D	36	5.460	138.68	5.780	146.81	5.908	150.06
ECM37D	37	5.616	142.65	5.936	150.77	6.064	154.03
ECM38D	38	5.772	146.61	6.092	154.74	6.220	157.99
ECM39D	39	5.928	150.57	6.248	158.70	6.376	161.95

PART NUMBER CODING

ECM _ _ D _ _ -S1136



NUMBER OF POSITIONS
(CONTACT PER ROW)

MODIFICATION
OMIT FOR STANDARD
S1136 = WITH SCOOPS (SEE PAGE 3 AND 4)

MOUNTING STYLE
N = NO MOUNTING

TERMINATION

- JB = NO STANDOFF, .190 TAIL LENGTH (SEE PAGE 2)
- JC = NO STANDOFF, .625 TAIL LENGTH (SEE PAGE 2)
- JW = WITH STANDOFF, .190 TAIL LENGTH (SEE PAGE 1)
- JX = WITH STANDOFF, .565 TAIL LENGTH (SEE PAGE 1)

CUSTOMER COPY



RoHS COMPLIANT

UNLESS OTHERWISE SPECIFIED: DIMENSIONS ARE IN INCHES (MM)		DRAWN	DATE	NAME		
			03/26/08	MNH		
TOLERANCES: ANGULAR: ± 1° DECIMALS .XX = ± .02 [5] .XXX = ± .005 [13] .XXXX = ± .0005 [013]		<small>THE INFORMATION HEREIN CONTAINS PROPRIETARY INFORMATION OF SULLINS ELECTRONICS AND IS NOT TO BE REPRODUCED, USED OR DISCLOSED TO OTHERS FOR ANY PURPOSE EXCEPT AS SPECIFICALLY AUTHORIZED IN WRITING BY AN OFFICER OF SULLINS ELECTRONICS.</small>			TITLE EDGECARD, .156 CC, PRESS FIT	
		PART NUMBER ECM _ _ D _ _ (JB, JC, JW, JX)N (-S1136)			SIZE CAGE CODE DWG. NO. REV C 54453 C11081 E	
					SCALE: 3:1.25 SHEET 5 OF 5	