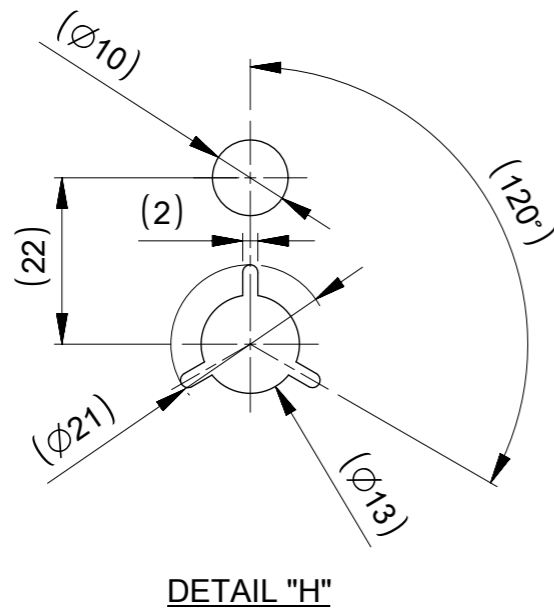
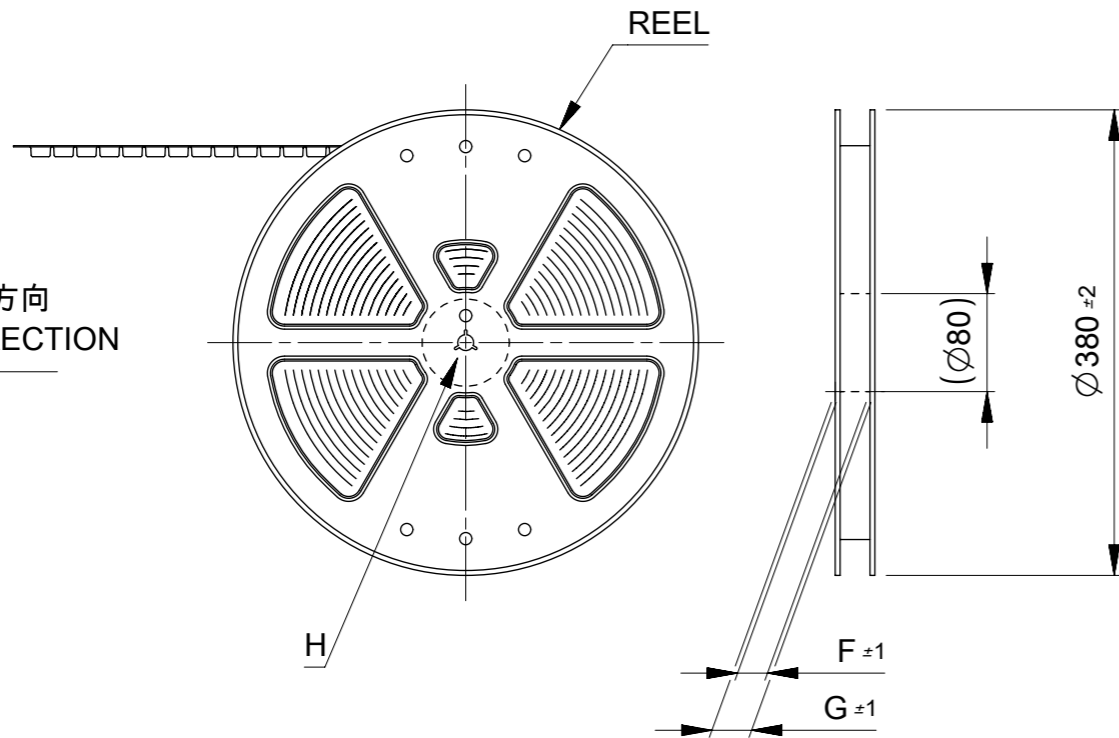


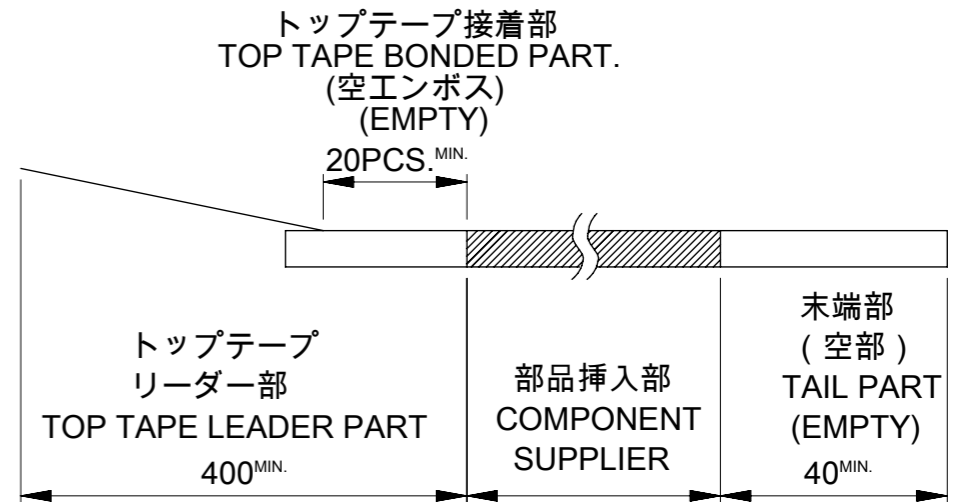
引き出し方向  
PULL OUT DIRECTION



NOTES

- 製品詳細寸法については図面SD-54363-050を参照下さい。  
DETAIL DIMENSION, SEE SD-54363-050.
- 梱包数量 : 2500個 / リール  
NUMBER OF CONNECTORS : 2500PCS/REEL
- リードテープ長さ  
LEAD TAPE LENGTH

引き出し方向  
PULL OUT DIRECTION



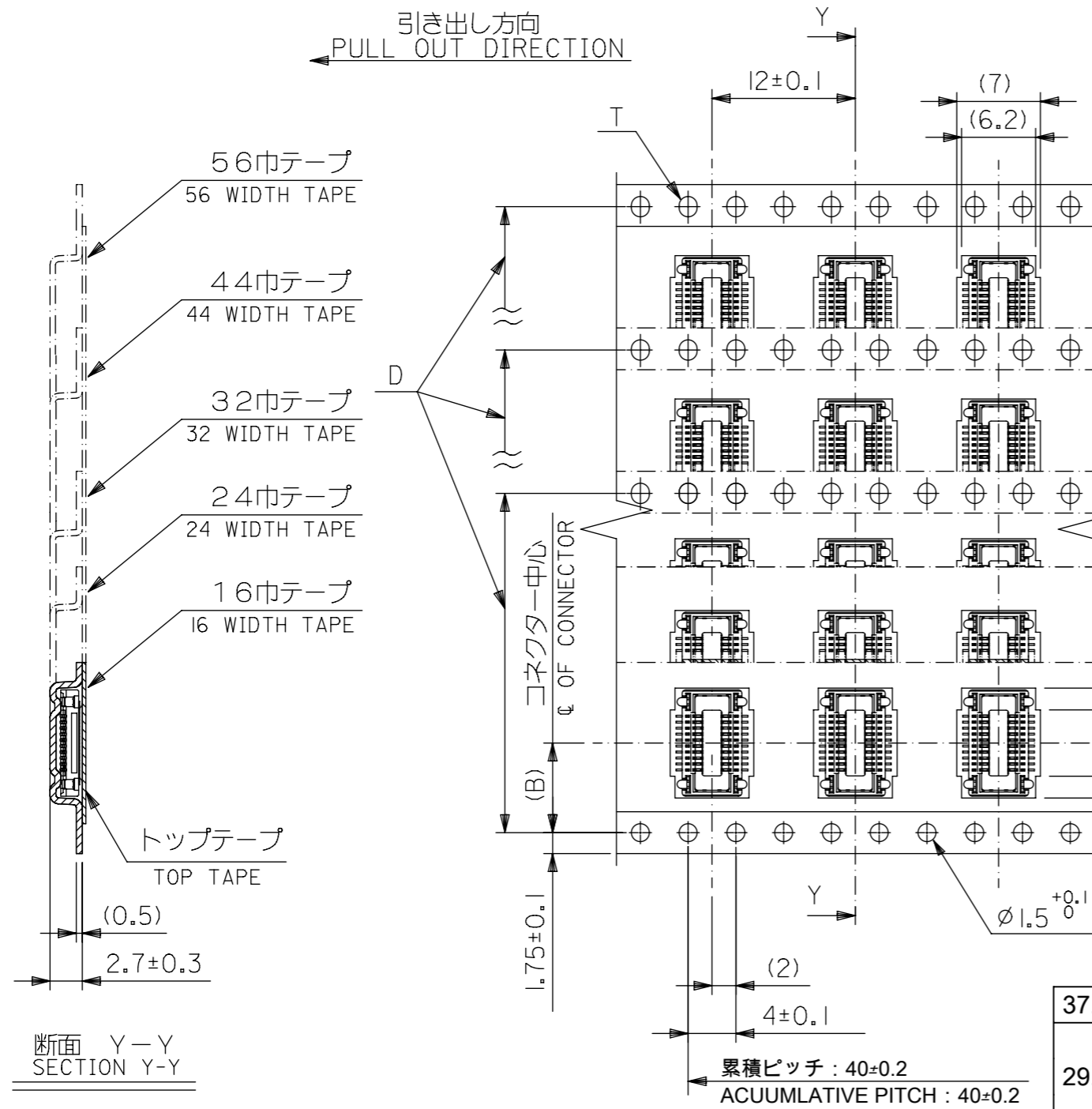
4. 材料

MATERIAL  
 キャリアテープ : ポリプロピレン (PP)  
 CARRIER TAPE : POLYPROPYLENE (PP)  
 トップテープ : PET , PE , PEF  
 TOP TAPE : PET , PE , PEF  
 リール : ポリスチレン  
 REEL : POLYSTYREN

- カバーテープの剥離強度については、IEC60286-3に準拠  
COVER TAPE PEEL FORCE IS DEFINED BY IEC60286-3.

THIS DRAWING CONTAINS INFORMATION THAT IS PROPRIETARY TO MOLEX ELECTRONIC TECHNOLOGIES, LLC AND SHOULD NOT BE USED WITHOUT WRITTEN PERMISSION

DIMENSION UNITS	SCALE	CURRENT REV DESC: REVISED		<b>molex</b>		
MM	---					
GENERAL TOLERANCES (UNLESS SPECIFIED)		EC NO: 642297		0.5 MM PITCH B-TO-B CONN. HEIGHT = 2 RECEPTACLE EMBOSS TAPE PACKAGE		
ANGULAR TOL ± 30°		DRWN: SUDAYGUNAGI		2020/09/16		
4 PLACES ± 0.2		CHK'D: HSHIMUYAMA		2020/11/30		
3 PLACES ± 0.25		APPR: SHOSHIKAWA		2020/11/30		
2 PLACES ± 0.3		INITIAL REVISION:		PRODUCT CUSTOMER DRAWING		
1 PLACE ±		DRWN: Y. AOYAGI		DOCUMENT NUMBER		
0 PLACES ±		APPR: N. UKI TA		SD-54363-049		
DRAFT WHERE APPLICABLE MUST REMAIN WITHIN DIMENSIONS		THIRD ANGLE PROJECTION		MATERIAL NUMBER		DOC TYPE DOC PART REVISION
		DRAWING		CUSTOMER		
		A3-SIZE		GENERAL		
		SERIES		SEE CHART		
		54363		GENERAL		
				SHEET NUMBER		
				1 OF 2		



37.4	33.4	32±0.3	28.4	19.2	14.2	15.55	54363-0689	60
29.4	25.4	24±0.3	-	16.7	11.5	13.05	54363-0589	50
				14.2		10.55	54363-0489	40
				11.7		8.05	54363-0389	30
21.4	17.4	16±0.3	D	9.2	7.5	5.55	54363-0289	20
G	F	E キャリアテープ幅 CARRIER TAPE WIDTH		(C)	(B)	(A)	ENBOSSED TAPE PACKAGE オーダー番号 ORDER No.	極数 CIRCUITS

THIS DRAWING CONTAINS INFORMATION THAT IS PROPRIETARY TO MOLEX ELECTRONIC TECHNOLOGIES, LLC AND SHOULD NOT BE USED WITHOUT WRITTEN PERMISSION  
 DIMENSION UNITS: MM SCALE: --- CURRENT REV DESC: REVISED

GENERAL TOLERANCES (UNLESS SPECIFIED)	
10 <sup>UNDER</sup>	±0.2
10 <sup>OVER</sup> 30 <sup>UNDER</sup>	±0.25
30 <sup>OVER</sup>	±0.3
ANGULAR ±3°	
DRAFT WHERE APPLICABLE MUST REMAIN WITHIN DIMENSIONS	

GENERAL TOLERANCES (UNLESS SPECIFIED)	
4 PLACES	± 0.2
3 PLACES	± 0.25
2 PLACES	± 0.3
1 PLACE	±
0 PLACES	±
DRAFT WHERE APPLICABLE MUST REMAIN WITHIN DIMENSIONS	

EC NO: 642297  
 DRWN: SUDAYGUNAGI 2020/09/16  
 CHK'D: HSHIMOYAMA 2020/11/30  
 APPR: SHOSHIKAWA 2020/11/30  
 INITIAL REVISION:  
 DRWN: Y. AOYAGI 2006/11/08  
 APPR: N. UKI TA 2006/11/08

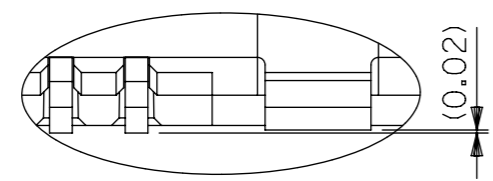
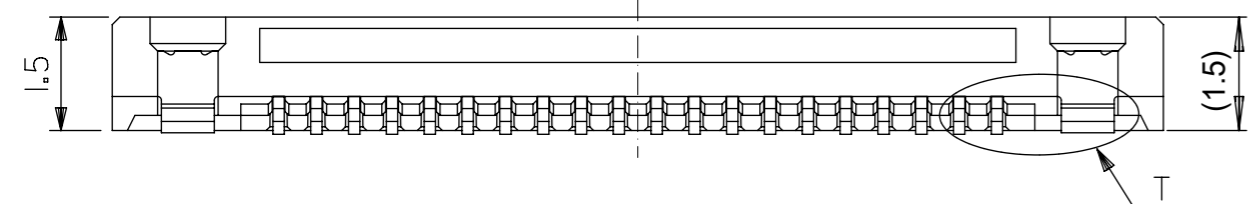
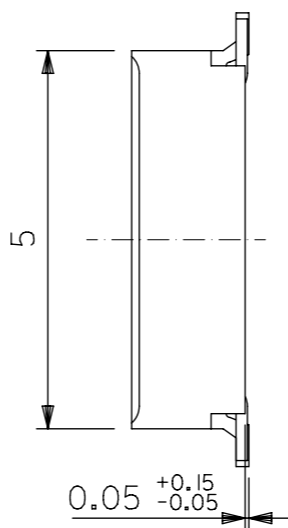
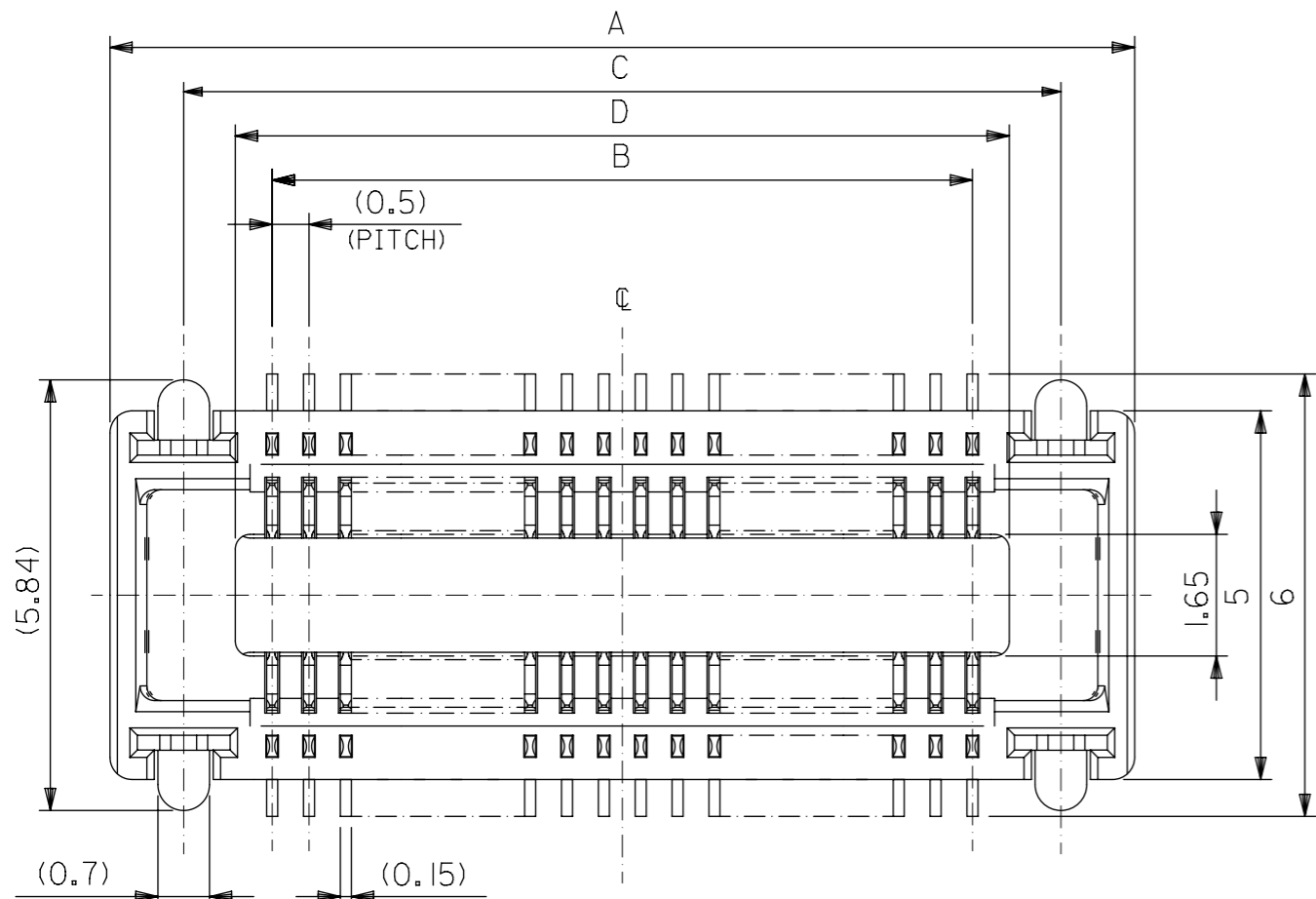
**molex**

0.5 MM PITCH B-TO-B CONN.  
 HEIGHT = 2 RECEPTACLE ENBOSS TAPE PACKAGE

PRODUCT CUSTOMER DRAWING

DOCUMENT NUMBER: SD-54363-049  
 DOC TYPE: PSD  
 DOC PART: 001  
 REVISION: B

MATERIAL NUMBER: SEE SHEET 1  
 CUSTOMER: GENERAL  
 SHEET NUMBER: 2 OF 2



T部詳細  
DETAIL T

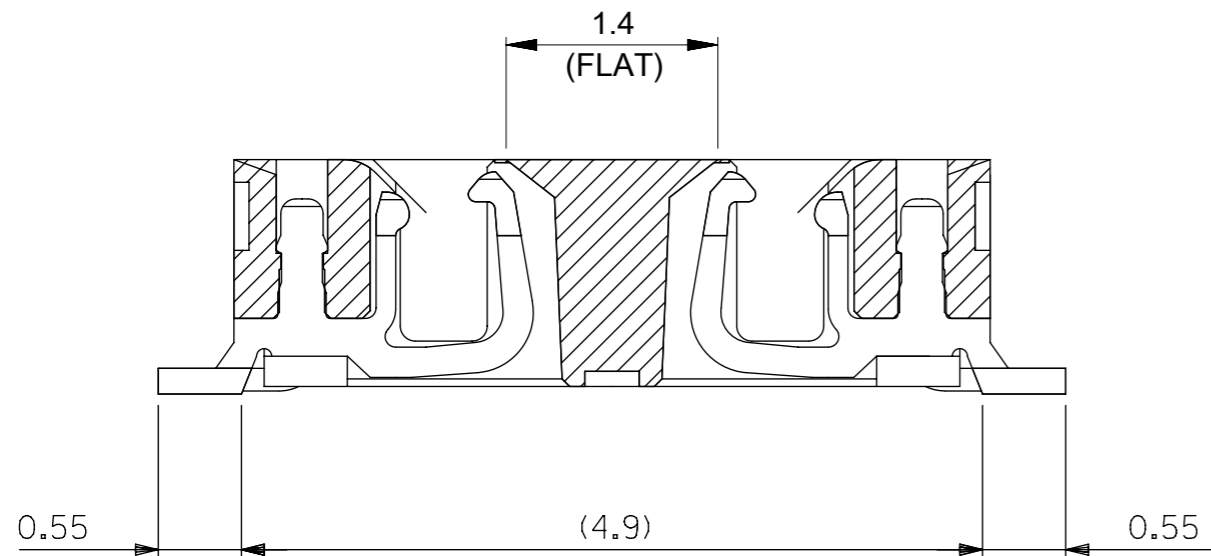
注記  
NOTES:

- 使用材料  
MATERIAL  
ハウジング：液晶ポリマー (LCP), ガラス充填, UL94V-0, 色：黒  
HOUSING: LIQUID CRYSTAL POLYMER(LCP), GLASS FILLED  
UL94V-0, COLOR: BLACK  
ターミナル：銅合金 (t=0.15)  
TERMINAL: COPPER ALLOY (t=0.15)  
ネイル：銅合金 (t=0.2)  
NAIL: COPPER ALLOY (t=0.2)
- メッキ仕様  
PLATING  
ターミナル  
TERMINAL  
接点部：金メッキ 0.25 マイクロメートル以上  
CONTACT AREA: GOLD 0.25 MICROMETER MINIMUM  
半田付け部：金メッキ 0.4 マイクロメートル以下  
SOLDER TAIL AREA: GOLD 0.4 MICROMETER MAXIMUM  
下地メッキ：ニッケルメッキ 1.5 マイクロメートル以上  
UNDER PLATING: NICKEL 1.5 MICROMETER MINIMUM  
ネイル  
NAIL  
錫メッキ 3.0 マイクロメートル以上  
TIN 3.0 MICROMETER MINIMUM  
下地メッキ：ニッケルメッキ 1.0 マイクロメートル以上  
UNDER PLATING: NICKEL 1.0 MICROMETER MINIMUM
- テール平坦度は、0.08 ミリメートル以下  
テールとネイルを併せた平坦度は、0.1 ミリメートル以下  
TAIL COPLANARITY TO BE 0.08 MAXIMUM.  
TAILS AND NAILS COPLANARITY TO BE 0.1 MAXIMUM.
- 嵌合相手：55650 シリーズ (嵌合高さ= 2.0mm)  
MATE WITH: 55650 SERIES (HEIGHT = 2.0mm)
- 本製品は、エンボス梱包品 54363-\*\*78のニッケルバリア品である。  
THIS PRODUCT IS 'NICKEL BARRIER' OF EMBOSSED TAPE PKG 54363-\*\*78.

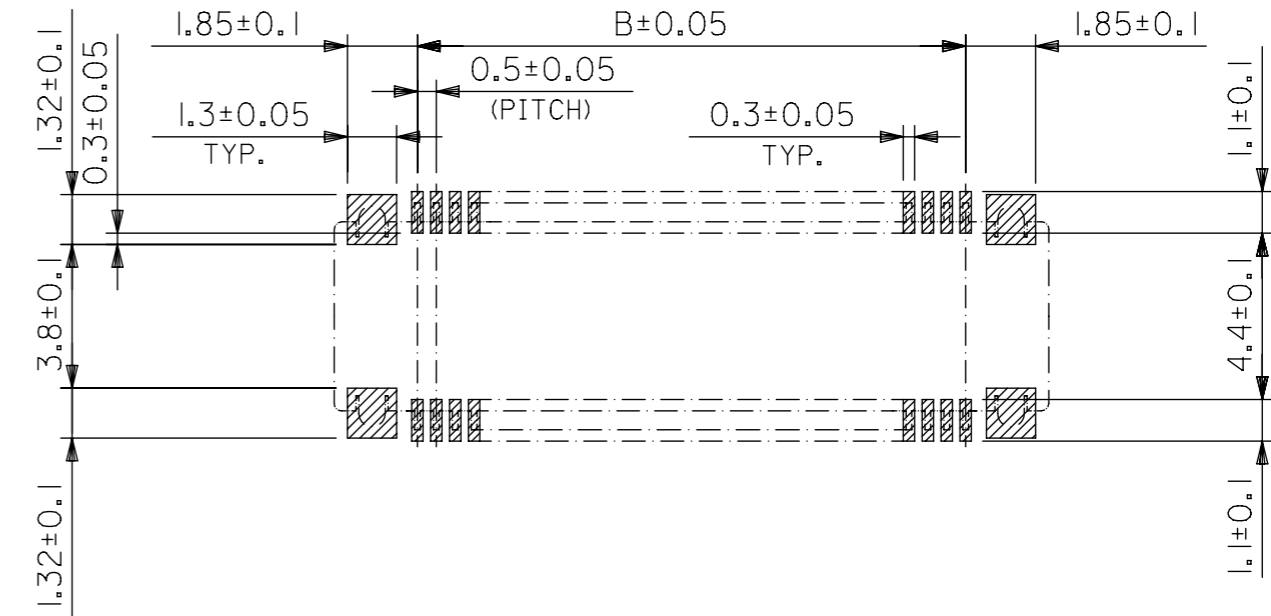
15.5	16.9	14.5	18.9	54363-0689	60
13.0	14.4	12.0	16.4	54363-0589	50
10.5	11.9	9.5	13.9	54363-0489	40
8.0	9.4	7.0	11.4	54363-0389	30
5.5	6.9	4.5	8.9	54363-0289	20
D	C	B	A	EMBOSSED PACKAGE	極数
				オーダー番号 ORDER No.	CIRCUIT

CONNECTOR SERIES No. 54363-\*\*81

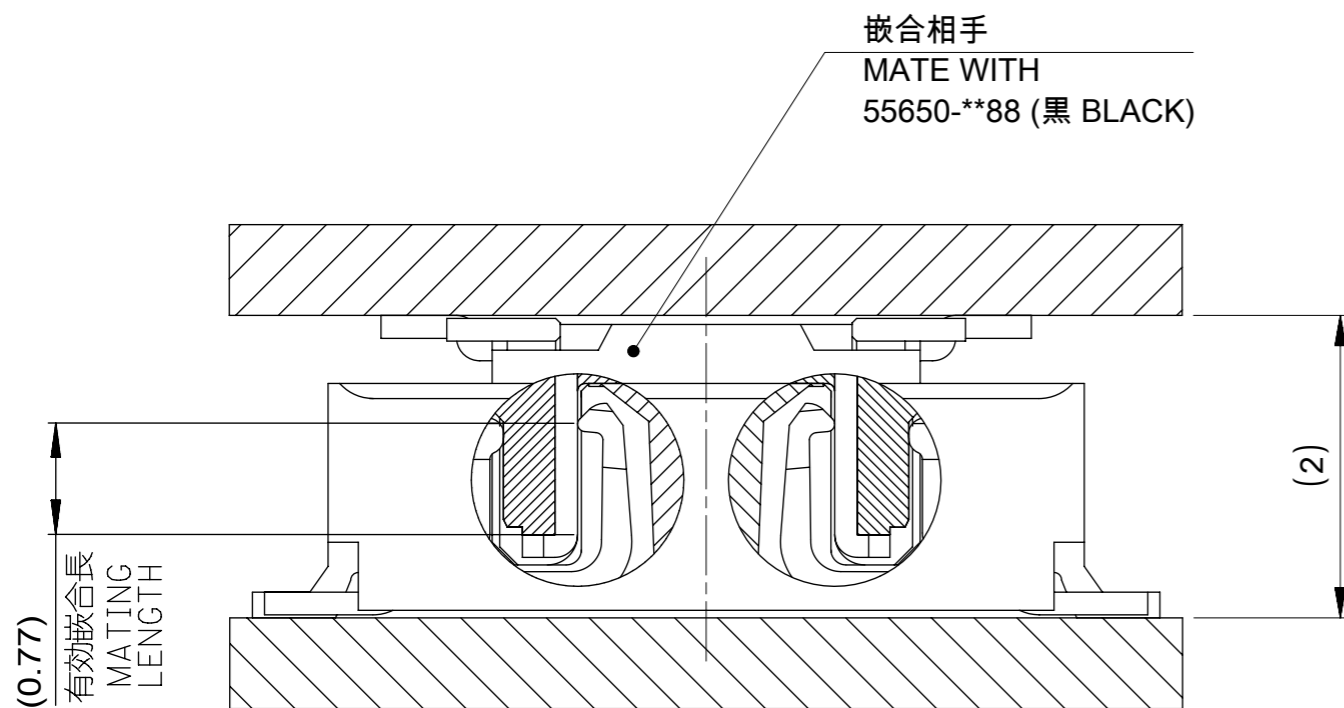
GENERAL TOLERANCES (UNLESS SPECIFIED)		DIMENSION UNITS	SCALE	CURRENT REV DESC: REVISED		<b>molex</b>	
0.25 <sup>UNDER</sup> ±0.03		MM	10:1				
0.25 <sup>OVER</sup> 0.5 <sup>UNDER</sup> ±0.05		GENERAL TOLERANCES (UNLESS SPECIFIED)		EC NO: 642297		0.5 MM PITCH B-TO-B CONN. HEIGHT = 2 RECEPTACLE	
0.5 <sup>OVER</sup> 1.0 <sup>UNDER</sup> ±0.1		ANGULAR TOL ± 30°		DRWN: SUDAYGUNAGI 2020/09/17		PRODUCT CUSTOMER DRAWING	
1.0 <sup>OVER</sup> 1.0 <sup>UNDER</sup> ±0.2		4 PLACES ± 0.2		CHK'D: HSHIMOYAMA 2020/11/30		DOCUMENT NUMBER	
10 <sup>OVER</sup> 30 <sup>UNDER</sup> ±0.25		3 PLACES ± 0.25		APPR: SHOSHIKAWA 2020/11/30		SD-54363-050	
30 <sup>OVER</sup> ±0.3		2 PLACES ± 0.3		INITIAL REVISION:		DOC TYPE DOC PART REVISION	
ANGULAR ±3°		1 PLACE ±		DRWN: Y. AOYAGI 2006/11/08		PSD 001 D	
DRAFT WHERE APPLICABLE MUST REMAIN WITHIN DIMENSIONS		0 PLACES ±		APPR: N. UKI TA 2006/11/08		MATERIAL NUMBER CUSTOMER SHEET NUMBER	
		DRAFT WHERE APPLICABLE MUST REMAIN WITHIN DIMENSIONS		THIRD ANGLE PROJECTION		SEE CHART GENERAL 1 OF 2	
				DRAWING A3-SIZE		SERIES 54363	



半田付け部詳細図  
DETAIL FOR SOLDERING AREA



推奨基板寸法  
RECOMMENDED PCB PATTERN LAYOUT  
(SCALE 5:1)



嵌合断面図 (参考)  
MATED DRAWING (REF.)

GENERAL TOLERANCES (UNLESS SPECIFIED)		DIMENSION UNITS	SCALE	CURRENT REV DESC: REVISED		<b>molex</b>	
0.25 <sup>UNDER</sup>	±0.03	MM	10:1				
GENERAL TOLERANCES (UNLESS SPECIFIED)		ANGULAR TOL ± 30°		EC NO: 642297		0.5 MM PITCH B-TO-B CONN. HEIGHT = 2 RECEPTACLE	
0.25 <sup>OVER</sup> 1.0 <sup>UNDER</sup>	±0.05	4 PLACES ± 0.2		DRWN: SUDAYGUNAGI 2020/09/17		PRODUCT CUSTOMER DRAWING	
0.5 <sup>OVER</sup> 1.0 <sup>UNDER</sup>	±0.1	3 PLACES ± 0.25		CHK'D: HSHIMOYAMA 2020/11/30		DOCUMENT NUMBER	
1.0 <sup>OVER</sup> 10 <sup>UNDER</sup>	±0.2	2 PLACES ± 0.3		APPR: SHOSHIKAWA 2020/11/30		SD-54363-050	
10 <sup>OVER</sup> 30 <sup>UNDER</sup>	±0.25	1 PLACE ±		INITIAL REVISION:		DOC TYPE DOC PART REVISION	
30 <sup>OVER</sup>	±0.3	0 PLACES ±		DRWN: Y. AOYAGI 2006/11/08		PSD 001 D	
DRAFT WHERE APPLICABLE MUST REMAIN WITHIN DIMENSIONS		DRAFT WHERE APPLICABLE MUST REMAIN WITHIN DIMENSIONS		THIRD ANGLE PROJECTION	DRAWING	SERIES	MATERIAL NUMBER
					A3-SIZE	54363	SEE SHEET 1
							CUSTOMER
							GENERAL
							SHEET NUMBER
							2 OF 2