

CUSTOMER PRINT

PART NUMBER: W18280-XPG-P-3XX

NOTES:

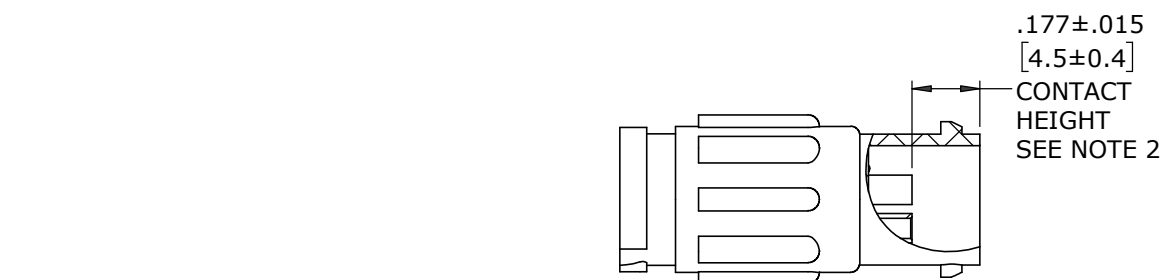
1. ALL PARTS TO BE BULK PACKED
2. CONTACTS SHIPPED UNASSEMBLED
3. ALL DIMENSIONS ARE REFERENCE EXCEPT THOSE WITH A TOLERANCE

ASS'Y P/N	FOR CABLE O.D.
W18280-XPG-P-311	.09-.14 [2.3-3.5]
W18280-XPG-P-315	.15-.17 [3.8-4.3]
W18280-XPG-P-318	.18-.20 [4.6-5.1]

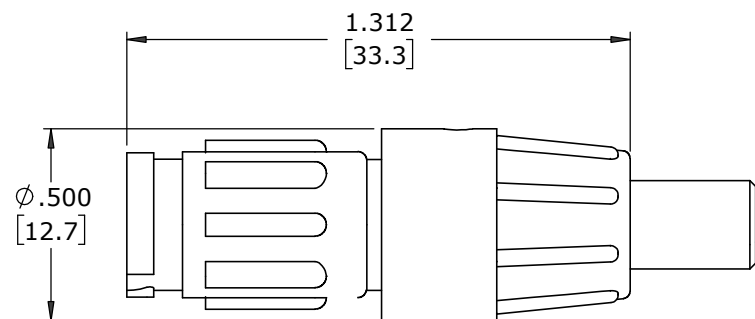
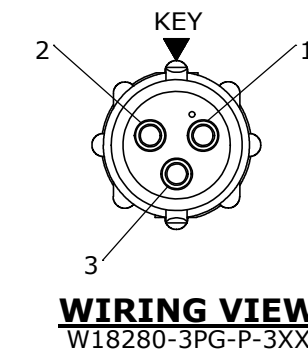
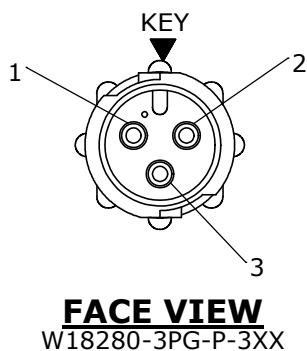
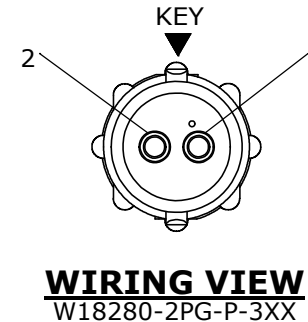
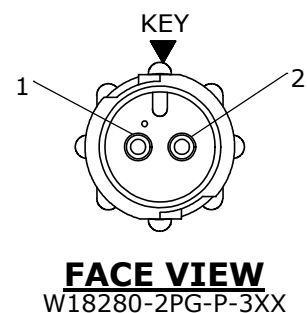
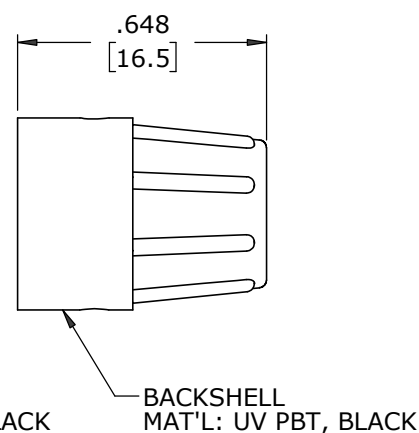
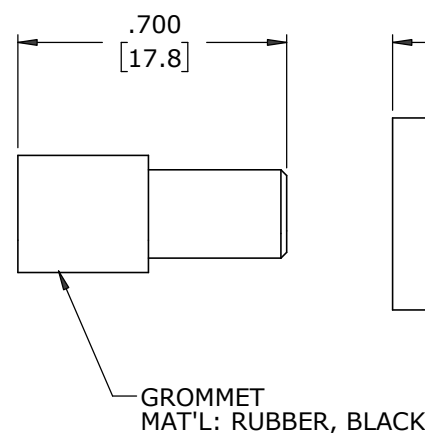
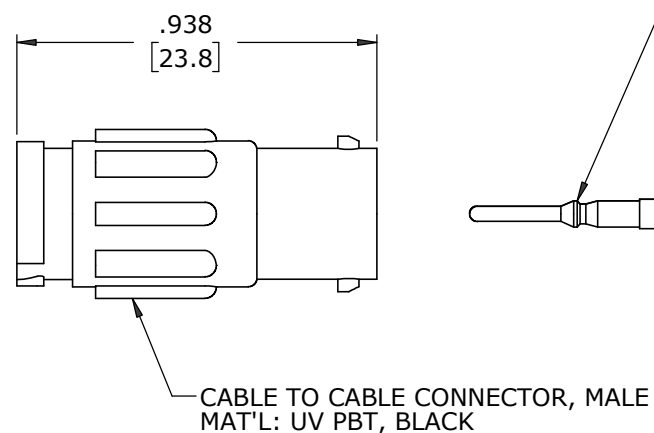
ASS'Y P/N	CONTACT QTY
W18280-2PG-P-3XX	2
W18280-3PG-P-3XX	3
W18280-XPG-P-3XX	

GROMMET SIZE

NUMBER OF CONTACTS



(2-3) #20 PIN CONTACT, CRIMP
MAT'L: GOLD PLATED COPPER ALLOY



SHOWN ASSEMBLED
FOR CUSTOMER REFERENCE ONLY

DIMENSIONS IN BRACKETS [] IN MILLIMETERS

CUSTOMER APPROVAL

THIS DOCUMENT CONTAINS CONFIDENTIAL INFORMATION PROPRIETARY TO CONXALL CORPORATION. ANY REPRODUCTION, DISCLOSURE, OR USE OF THIS DOCUMENT /INFORMATION IS EXPRESSLY PROHIBITED UNLESS AUTHORIZED IN WRITING BY CONXALL CORPORATION.

APPROVED BY: _____
DATE: _____

RoHS COMPLIANT

REV.	INIT.	DATE	DESCRIPTION
A	MA	08-18-20	RELEASED PER PDR 18004
	JGK	8/22/19	DRAWING CREATED FOR PDR #18004.

ALL INFORMATION ILLUSTRATED IS THE PROPERTY OF "CONXALL CORPORATION". UNAUTHORIZED DUPLICATION OR DISTRIBUTION OF THIS DOCUMENT IS PROHIBITED.		ORIG. DRAWN BY: JGK	DATE: 8/22/19
ALL UNITS ARE IN FEET, INCHES, FRACTION OF INCHES AND DECIMALS.		CHECKED BY:	
UNLESS OTHERWISE SPECIFIED TOLERANCES: 3 PLACE DECIMALS ±.005 ANGLES ±1° FRACTIONS ±1/16		APPROVED BY:	
SCALE: NTS	SIZE: B	SHEET: 1 OF 1	TITLE: CABLE TO CABLE CONN. ASS'Y (2-3) #20 PIN CONTACTS, CRIMP INSTA-CLICK™ MICRO-CON-X STANDARD PRODUCT
FILE: W18280-XPG-P-3XX	DIRECTORY: SLW	PART NUMBER: W18280-XPG-P-3XX	REV: A



601 E. WILDWOOD VILLA PARK, IL 60181