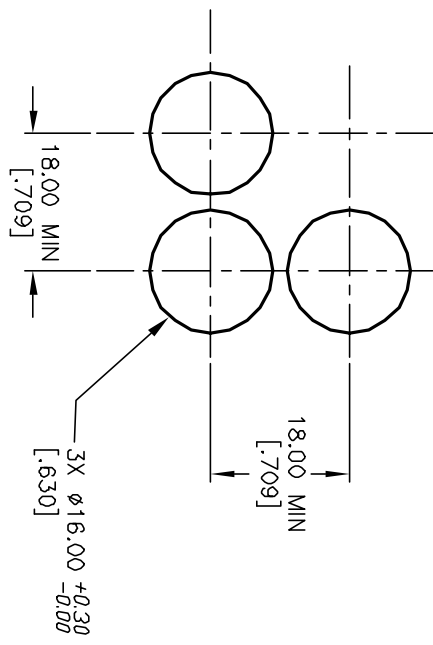


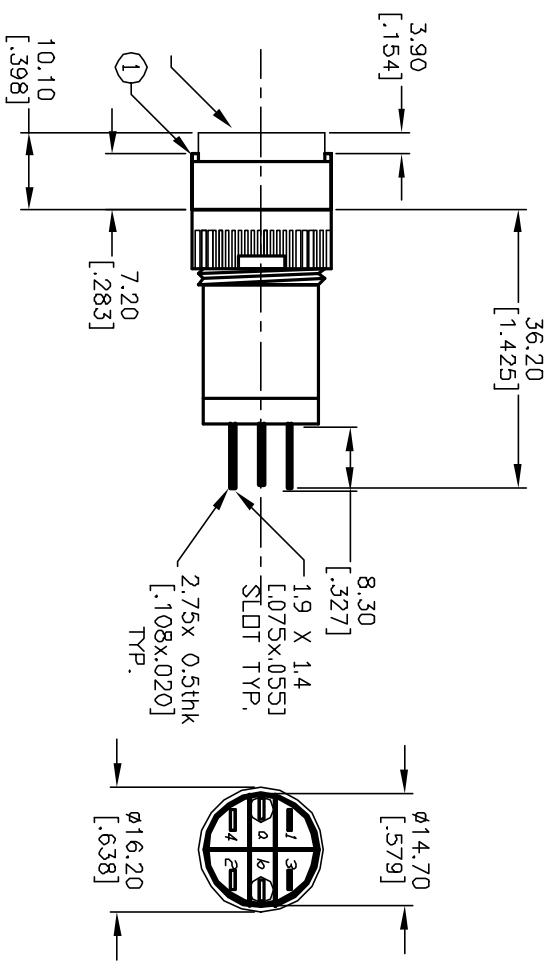
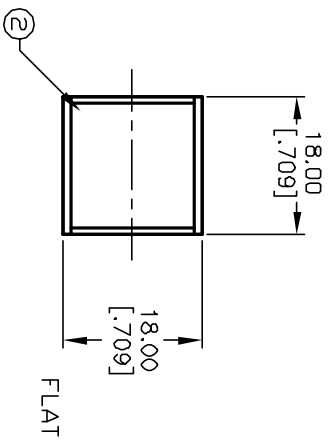
ITEM	QTY.	PART NO.	PART DESCRIPTION
1	1	F040010	P16 0A S11
2	1	F052316	50-003-16 (YEL LENS)



RECOMMENDED  
PANEL MOUNTING

1.0 ± 0.2  
3.0 ± 0.4  
a-L-b (+)

SPST  
CONTACT CONFIGURATION



- NOTES:
1. ALL DIMENSIONS IN MM [INCH]
  2. GENERAL TOLERANCE: X.X=±0.4  
X.XX=±0.25
  3. TERM. NOS. FOR REFERENCE ONLY.
  4. RATING: 5A@250V AC / 8A@125V AC
  5. MECHANICAL LIFETIME: >2 MILLION OPERATIONS
  6. TRAVEL: 3.0MM
  7. CONTACT MATERIAL: COPPER ALLOY W/SILVER PLATING

**E-SWITCH®**

P16 0A S11 0 YEL

REV.	ECN No.	DESCRIPTION	DATE	CHKD
A	12440	RELEASED FOR PRODUCTION	9/20/02	CJC

TITLE	SCALE	DATE	DR	DWG	REV
P16 0A S11 0 YEL	1.5:1	9/20/02	CB	XF0509P	A

THE INFORMATION CONTAINED IN THIS DOCUMENT IS PROPRIETARY TO E-SWITCH AND IS NOT TO BE COPIED OR TRANSFERRED