

IPC-6606

6-slot Wallmount IPC Chassis

Industrial PC *Products*

User's Manual

Copyright Notice

This document is copyrighted, December 1997, by Advantech Co., Ltd. All rights are reserved. Advantech Co., Ltd. reserves the right to make improvements to the products described in this manual at any time without notice.

No part of this manual may be reproduced, copied, translated, or transmitted in any form or by any means without the prior written permission of Advantech Co., Ltd. Information provided in this manual is intended to be accurate and reliable; however, Advantech Co., Ltd. assumes no responsibility for its use, nor for any infringements of the rights of third parties which may result from its use.

Acknowledgments

IPC-6606, IPC-6606P, PCA-6106, and PCA-6106P3 are trademarks of Advantech Co., Ltd.

Note

The information in this document is provided for reference only. Advantech does not assume any liability arising out of the direct or indirect use of this information or products described herein. This manual is subject to change without notice.

Contents

Chapter 1	General Information	1
	Introduction	2
	Specifications	2
	Dimensions	4
	Bidirectional mounting	5
Chapter 2	System Setup	7
	Removing the cover	8
	Adding disk drives	9
	Hold-down clamp	10
	Replacing the filter	11
Appendix A	Passive Backplane	13
	PCA-6106	14
	PCA-6106P3	15
Appendix B	Exploded Diagram	17
	Parts List	18
Appendix C	Safety Instructions	19
	English Version	20
	German Version	21

CHAPTER

1

**General
Information**

Introduction

Specially designed for the factory floor and other harsh industrial environments, the IPC-6606 Wall-mount IPC Chassis is ideal for system integrators or users who require a compact, rugged PC/AT compatible system. The IPC-6606 features a 6-slot passive backplane and a 200-watt power supply. The chassis is only 6.8" wide and can easily be mounted bidirectionally on panels or walls with the supplied brackets.

Specifications

- **Construction:** Heavy-duty steel
- **Disk drive capacity:** One 3.5" FDD and one 3.5" HDD
- **Indicators:** LEDs for power On/Off and HDD
- **Controls:** Reset switch on front panel
- **Cooling fan:** One 49-CFM fan on front panel with air filter
One 34-CFM fan inside the power supply
- **Weight:** 12.3 lb (5.6 Kg)
- **Dimensions:** 6.8" (W) x 10" (H) x 15.6" (D)
(173 mm x 254 mm x 396 mm)

ISA Passive Backplane for IPC-6606 (PCA-6106)

- **Slots:** 6 ISA slots, full size
- **PC board:** 4-layer PCB with ground and power planes for reduced noise and low power-supply impedance
- **Indicators:** LEDs for +5 V, +12 V, -5 V and -12 V

ISA/PCI Passive Backplane for IPC-6606P (PCA-6106P3)

- **Slots:** 2 ISA / 3 PCI / 1 PICMG slots, full size
- **PC board:** 4-layer PCB with ground and power planes for reduced noise and low power-supply impedance
- **Indicators:** LEDs for +5 V, +12 V, -5 V and -12 V

Power Supply (PS-200)

- **Output rating:** 200 watts max.
- **Input voltage:**
90 to 132 V_{AC} or 180 to 264 V_{AC} @ 47-63 Hz, switchable
- **Output voltage:** +5 V @ 20 A, -5 V @ 0.5 A,
+12 V @ 8 A, -12 V @ 0.5 A
- **MTBF:** 50,000 hrs. at 70% load
- **Safety:** UL/CSA/TUV approved

Environmental Specifications

- **Operating temperature:** 32 to 122F (0 to 50C)
- **Relative humidity:** 10 to 95% @ 40C, non-condensing
- **Safety:** Meets UL/CSA/TUV
- **CE compliant**

Dimension of IPC-6606

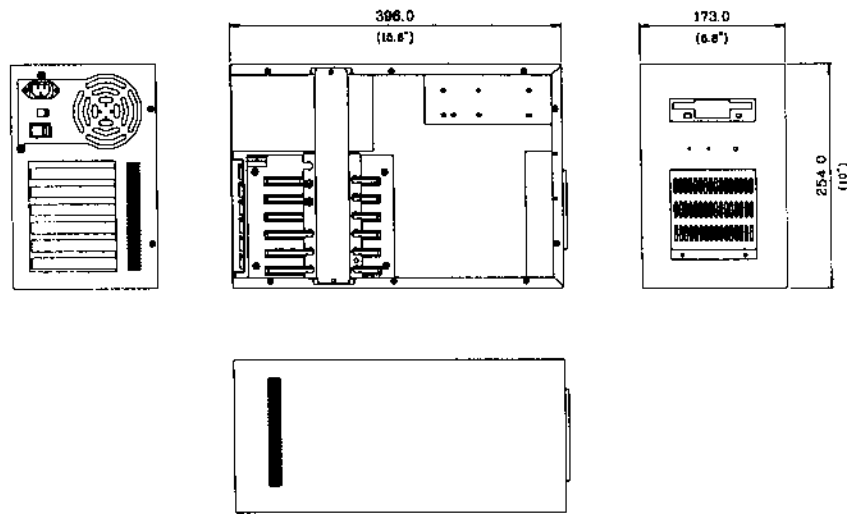


Figure 1-1 : Dimension of IPC-6606

Units = mm

Bidirectional mounting

Attached the IPC-6606 with two mounting brackets to the bottom or right-side of the chassis (see figure 1-2). These special mounting brackets allow you to mount the chassis onto most surfaces, such as wall, panel, work bench, underneath or on top of a desk or table.

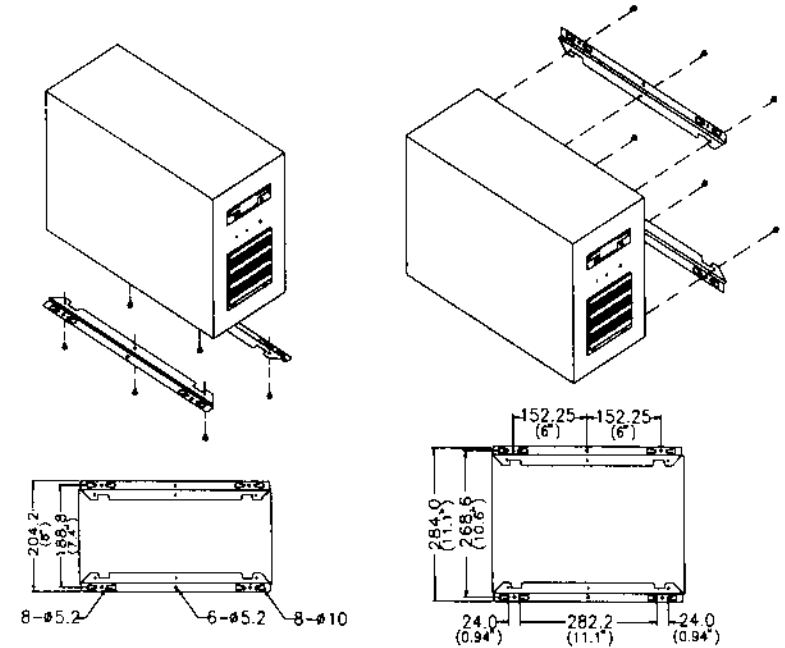


Figure 1-2 : Bottom and Right-side of mounting

Units = mm

CHAPTER
2

System Setup

The following procedures are provided to assist you in installing drives, plug-in cards and the hold-down clamp into the IPC-6606.

Removing the cover

To remove the cover, hold-down clamp and disk bay, please refer to figure 2-1.

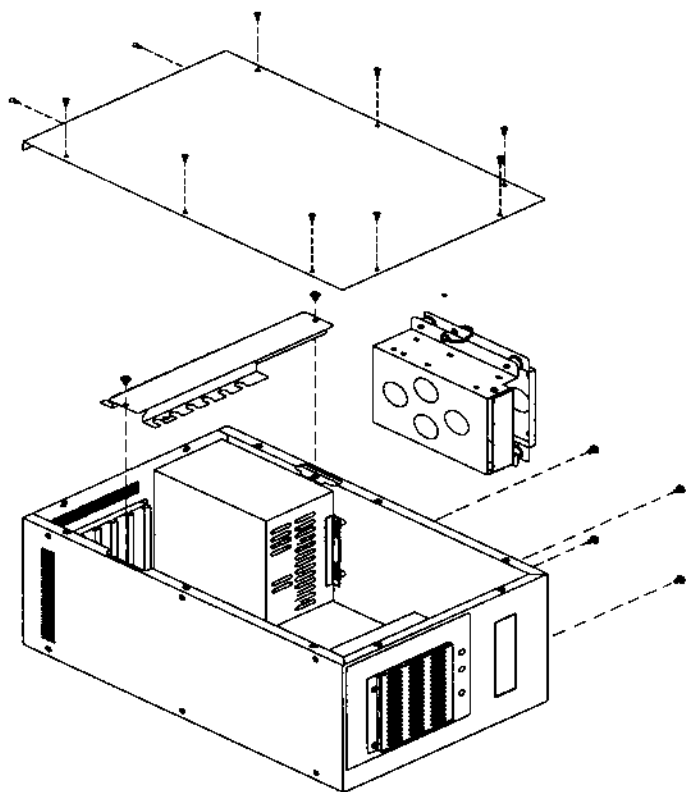


Figure 2-1. Removing the cover

Adding disk drives

To install a HDD or FDD, refer to Fig. 2-2 and proceed as follows:

Floppy disk & Hard disk drive:

- a. Attach the FDD to the bracket with four screws and connect a 34-pin flat-cable & power cable to the FDD.
- b. Attach the HDD to the bracket with four screws and connect a 40-pin flat-cable & power cable to the HDD.

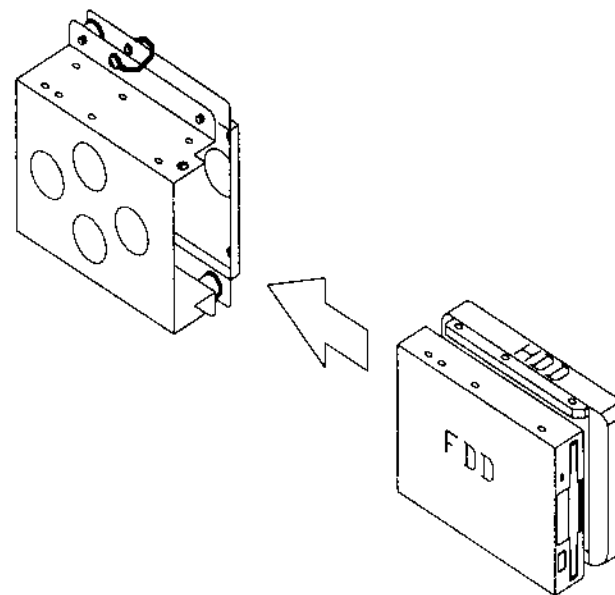


Figure 2-2. Installing the drives

Hold-down clamp

1. Insert the provided rubber buffers into the hold-down clamp (see Fig. 2-3). Buffers cushion plug-in cards from shock and vibration. They provide two settings:

- a. For XT-size cards, the narrow end should face upwards.
- b. For AT-size cards, the wide end should face upwards.

2. After inserting the rubber buffers, fasten the hold-down clamp to the card cage with the two screws provided (see Fig. 2-3).

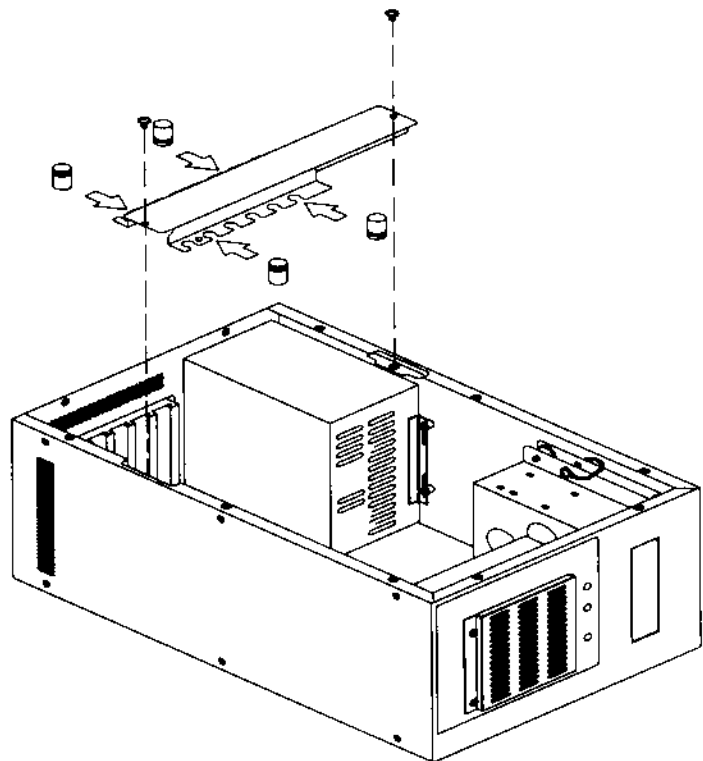


Figure 2-3. Hold-down clamp installation

Replacing the filter

To change the filter, located at the front end of the chassis, see Fig. 2-4.

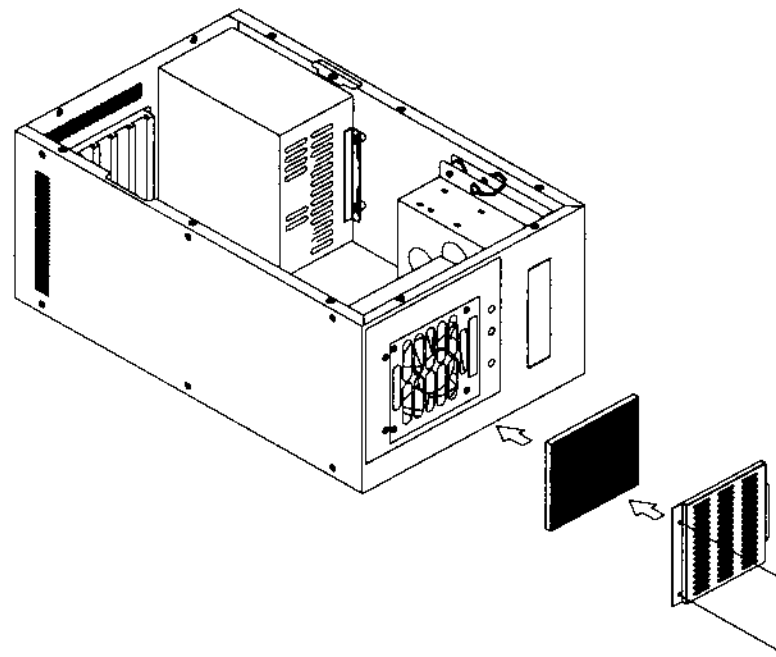


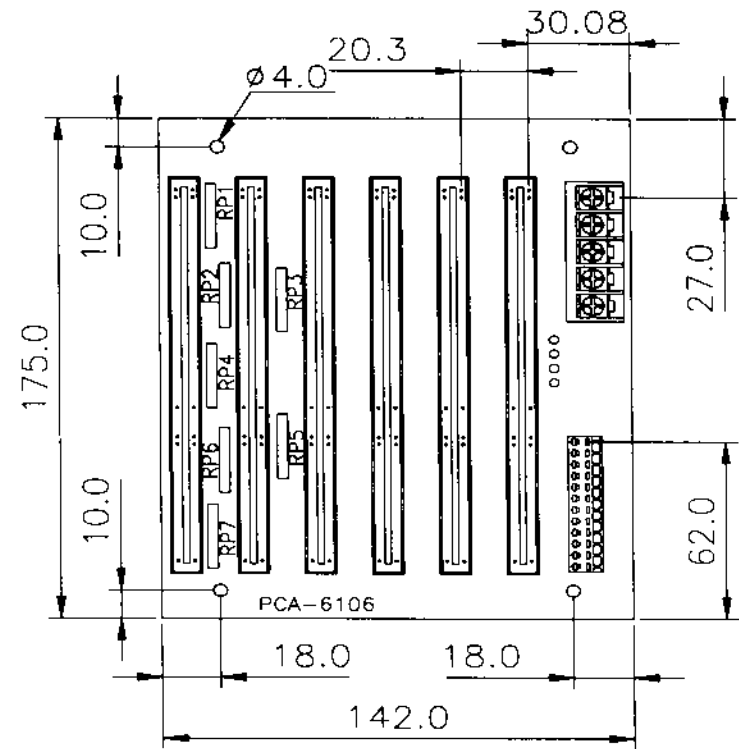
Figure 2-4 Changing the filter

1. Remove the two screws located at the left of the filter cover. Gently but firmly pull the cover free from the chassis.
2. Remove the filter and replace it with a new one.
3. Reinsert the filter and replace the cover onto the chassis.

APPENDIX
A

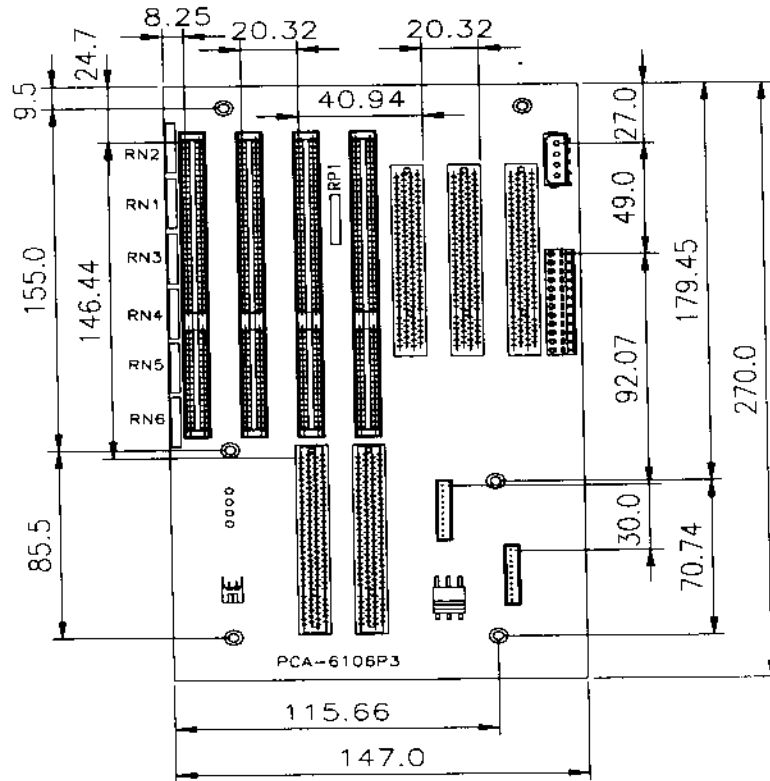
Passive Backplane

PCA-6106 : 6-slot ISA Bus Backplane



Bus Termination			
Resistor	Signals	Resistor	Signals
RP5.....	SA7 - SA0	RP2.....	SMEMW, SMEMR, IOW, IOR
RP4.....	SA15 - SA8	RP6.....	SBHE, LA23 - LA17
RP1.....	SD7 - SD0	RP3.....	LA19 - LA16
RP7.....	SD8 - SD15		

PCA-6106P3 : 6-slot ISA/PCI Bus Backplane

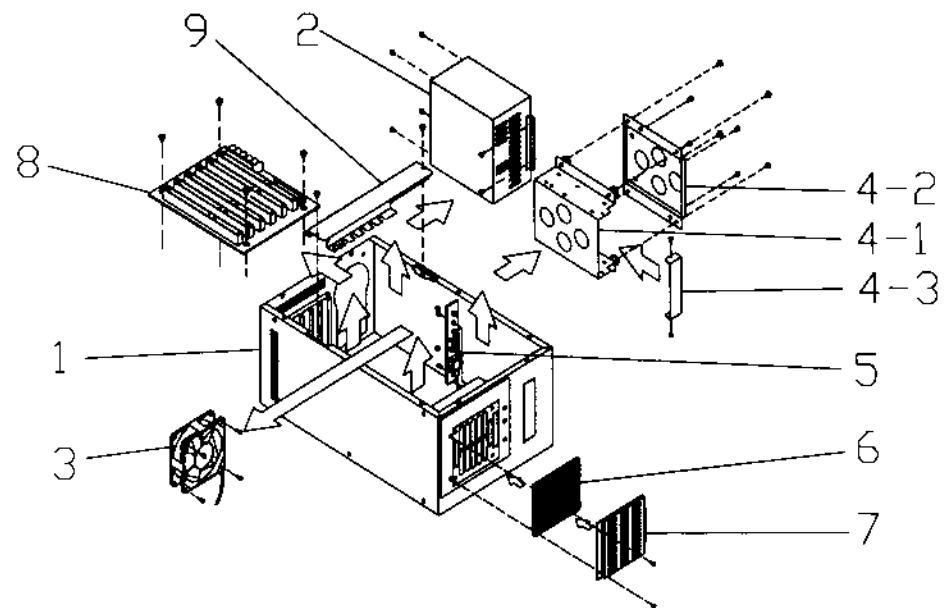


Bus Termination			
Resistor	Signals	Resistor	Signals
RN4.....	SA7 - SA0	RP1.....	SMEMW, SMEMR, IOW, IOR
RN3.....	SA15 - SA8	RN5.....	SBHE, LA23 - LA17
RN2.....	SD7 - SD0	RN1.....	LA19 - LA16
RN6.....	SD8 - SD15		

APPENDIX
B

Exploded Diagram

Exploded Diagram & Parts List



Parts List			
1.	Body of Chassis IPC-6606	5.	LED Board
2.	PS/2 Power Supply	6.	Air Filter
3.	Cooling Fan	7.	Fan Cover
4-1.	Drive Bay of Disks	8.	Backplane
4-2.	Cover of Drive Bay	9.	Hold-Down Clamp
4-3.	Cover of FDD		

APPENDIX
C

Safety Instructions

Safety Instructions

1. Please read these safety instructions carefully.
2. Please keep this User's Manual for later reference.
3. Please disconnect this equipment from any AC outlet before cleaning. Don't use liquid or spray detergents for cleaning. Use a damp cloth.
4. For pluggable equipment, the socket-outlet must be installed near the equipment and must be easily accessible.
5. Please keep this equipment away from humidity.
6. Put this equipment on a reliable surface during installation. Dropping it or letting it fall could cause damage.
7. The openings on the enclosure are for air convection. Protect the equipment from overheating. **DO NOT COVER THE OPENINGS.**
8. Make sure the voltage of the power source is correct before connecting the equipment to the power outlet.
9. Position the power cord so that people cannot step on it. Do not place anything over the power cord.
10. All cautions and warnings on the equipment should be noted.
11. If the equipment is not used for a long time, disconnect it from the power source to avoid damage by transient overvoltage.
12. Never pour any liquid into an opening. This could cause fire or electrical shock.
13. Never open the equipment. For safety reasons, the equipment should be opened only by qualified service personnel.
14. If one of the following situations arises, get the equipment checked by service personnel:
 - a. The power cord or plug is damaged.
 - b. Liquid has penetrated into the equipment.
 - c. The equipment has been exposed to moisture.
 - d. The equipment does not work well, or you cannot get it to work according to the user's manual.
 - e. The equipment has been dropped and damaged.
 - f. The equipment has obvious signs of breakage.
15. **DO NOT LEAVE THIS EQUIPMENT IN AN UNCONTROLLED ENVIRONMENT WHERE THE STORAGE TEMPERATURE IS BELOW -20° C (-4° F) OR ABOVE 60° C (140° F). IT MAY DAMAGE THE EQUIPMENT.** The sound pressure level at the operator's position according to IEC 704-1:1982 is equal to or less than 70dB(A).

DISCLAIMER: This set of instructions is given according to IEC 704-1. Advantech disclaims all responsibility for the accuracy of any statements contained therein.

Wichtige Sicherheitshinweise

1. Bitte lesen sie sich diese Hinweise sorgfältig durch.
 2. Heben Sie diese Anleitung für den späteren Gebrauch auf.
 3. Vor jedem Reinigen ist das Gerät vom Stromnetz zu trennen. Verwenden Sie keine Flüssig- oder Aerosolreiniger. Am besten dient ein angefeuchtetes Tuch zur Reinigung.
 4. Die Netzanschlussteckdose soll nahe dem Gerät angebracht und leicht zugänglich sein.
 5. Das Gerät ist vor Feuchtigkeit zu schützen.
 6. Bei der Aufstellung des Gerätes ist auf sicheren Stand zu achten. Ein Kippen oder Fallen könnte Verletzungen hervorrufen.
 7. Die Belüftungsöffnungen dienen zur Luftzirkulation die das Gerät vor Überhitzung schützt. Sorgen Sie dafür, daß diese Öffnungen nicht abgedeckt werden.
 8. Beachten Sie beim Anschluß an das Stromnetz die Anschlußwerte.
 9. Verlegen Sie die Netzanschlusbleitung so, daß niemand darüber fallen kann. Es sollte auch nichts auf der Leitung abgestellt werden.
 10. Alle Hinweise und Warnungen die sich am Geräten befinden sind zu beachten.
 11. Wird das Gerät über einen längeren Zeitraum nicht benutzt, sollten Sie es vom Stromnetz trennen. Somit wird im Falle einer Überspannung eine Beschädigung vermieden.
 12. Durch die Lüftungsöffnungen dürfen niemals Gegenstände oder Flüssigkeiten in das Gerät gelangen. Dies könnte einen Brand bzw. elektrischen Schlag auslösen.
 13. Öffnen Sie niemals das Gerät. Das Gerät darf aus Gründen der elektrischen Sicherheit nur von autorisiertem Servicepersonal geöffnet werden.
 14. Wenn folgende Situationen auftreten ist das Gerät vom Stromnetz zu trennen und von einer qualifizierten Servicestelle zu überprüfen:
 - a - Netzkabel oder Netzstecker sind beschädigt.
 - b - Flüssigkeit ist in das Gerät eingedrungen.
 - c - Das Gerät war Feuchtigkeit ausgesetzt.
 - d - Wenn das Gerät nicht der Bedienungsanleitung entsprechend funktioniert oder Sie mit Hilfe dieser Anleitung keine Verbesserung erzielen.
 - e - Das Gerät ist gefallen und/oder das Gehäuse ist beschädigt.
 - f - Wenn das Gerät deutliche Anzeichen eines Defektes aufweist.
- Der arbeitsplatzbezogene Schalldruckpegel nach DIN 45 635 Teil 1000 beträgt 70dB(A) oder weniger.

DISCLAIMER: This set of instructions is given according to IEC704-1. Advantech disclaims all responsibility for the accuracy of any statements contained therein.