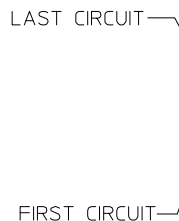
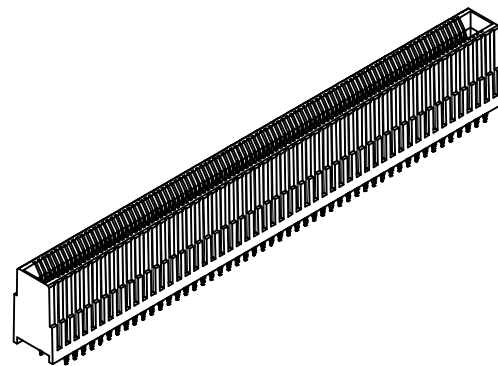
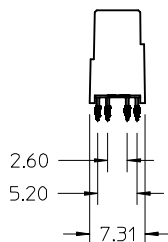
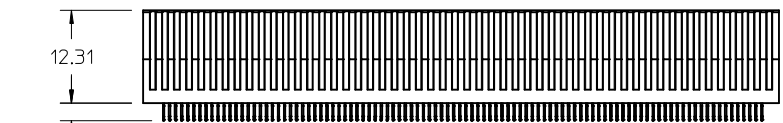


2 BAY EDGE LINE



1 BAY EDGE LINE



PART NUMBER	VERSION	BAY 1/BAY 2	TOTAL CIRCUITS	DIM A	SALES DRAWING (SEE NOTE 9)
76691-2278	2 BAY	143/132	278	118.63	SD-76691-2278
76691-1200	1 BAY	200	200	84.20	SD-76691-1200
76691-2108	2 BAY	86/22	108	50.63	SD-76691-2108
76691-3108	2 BAY	86/22	108	50.63	SD-76691-3108
76691-2080	2 BAY	52/28	80	39.43	SD-76691-111
76691-9046*	1 BAY	46	46	22.60	SD-76691-109
76691-1046	1 BAY	46	46	22.60	SD-76691-107

- NOTES:
- MATERIAL:
HOUSING - GLASS FILLED THERMOPLASTIC, 94-VO, BLACK
TERMINALS - COPPER ALLOY
 - FINISH:
CONTACT AREA: 0.76 MICROMETER MINIMUM HARD GOLD OVER 3.80 MICROMETER NICKEL
COMPLIANT AREA: 0.76-1.52 MICROMETER TIN (PREVIOUSLY TIN/LEAD) OVER 1.27 MICROMETER NICKEL
* SPECIAL FINISH:
CONTACT AREA: 0.76 MICROMETER MINIMUM HARD GOLD OVER 3.80 MICROMETER NICKEL
COMPLIANT AREA: 0.76-1.52 MICROMETER TIN (PREVIOUSLY TIN/LEAD) OVER 1.27 MICROMETER NICKEL
 - REFER TO PS-75594-999 PRODUCT SPECIFICATION FOR ALL ELECTRICAL, MECHANICAL AND ENVIRONMENTAL SPECIFICATIONS.
 - REFER TO PK-76693-900 FOR ALL PACKAGING SPECIFICATIONS.
 - PROCESSING: PRESSFIT TO PC BOARD.
 - MATING PC BOARD THICKNESS = 1.60±0.16MM OVER CONTACT PADS.
 - PRODUCT IS ELV AND RoHS COMPLIANT. LEVEL OF COMPLIANCE: 6/6
ALL BANNED SUBSTANCES ARE REMOVED:
Pb (LEAD)
HEXAVALENT CHROMIUM (CrVI)
CADMIUM
MERCURY
POLYBROMINATED BIPHENYL (PBB)
POLYBROMINATED DIPHENYL ETHER (PBDE)
 - THIS PART CONFORMS TO CLASS B REQUIREMENTS OF COSMETIC SPEC PS-45499-002
 - FOR EDGE CARD AND MOUNTING PCB LAYOUT DETAIL SEE CORRESPONDING SALES DRAWING.

REV	DESCRIPTION	QUALITY SYMBOLS
1	LEADFREE CONVERTER. EC NO: UCP2013-2374 DRWN:MP0FF 2012/11/12 CHKD:HWOLFE 2012/11/12 APPR:SMILLER 2013/01/04	▽=0 ▽=0 ▽=0

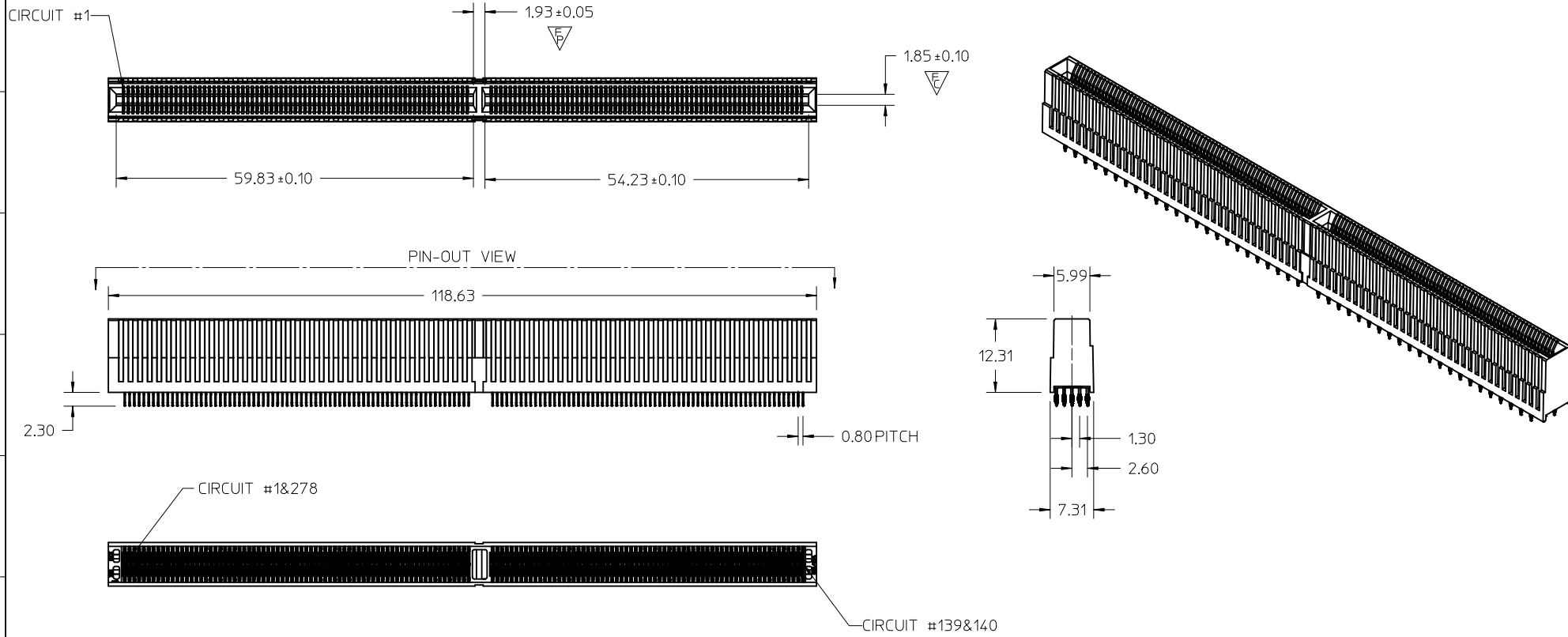
GENERAL TOLERANCES (UNLESS SPECIFIED)	
mm	INCH
4 PLACES ± .---	± .---
3 PLACES ± .---	± .---
2 PLACES ± 0.13	± .---
1 PLACE ± 0.25	± .---
0 PLACE ± .---	± .---

ANGULAR ±1/2°

DRAFT WHERE APPLICABLE MUST REMAIN WITHIN DIMENSIONS

DIMENSION STYLE	
MM ONLY	
DRAWN BY	DATE
DROSCA	07/21/08
CHECKED BY	DATE
JCOMERC I	07/21/08
APPROVED BY	DATE
JCOMERC I	2010/10/25

SCALE	DESIGN UNITS	THIRD ANGLE PROJECTION
2:1	METRIC	☉
EDGELINE 12.5GB 0.062*PCB 0.8MM PITCH		
molex		
MATERIAL NO.	DOCUMENT NO.	SHEET NO.
SEE TABLE	SD-76691-100	1 OF 1
THIS DRAWING CONTAINS INFORMATION THAT IS PROPRIETARY TO MOLEX INCORPORATED AND SHOULD NOT BE USED WITHOUT WRITTEN PERMISSION		

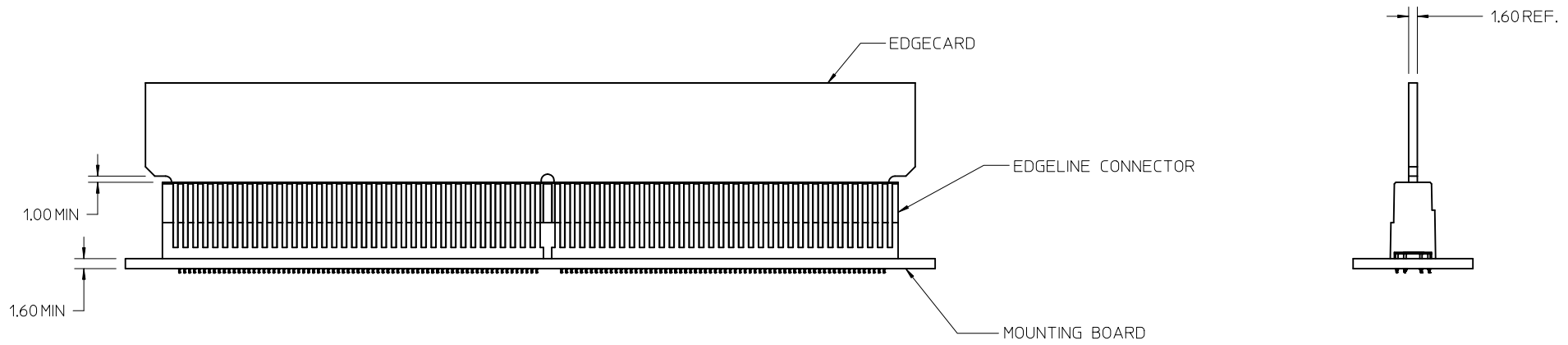


NOTES:

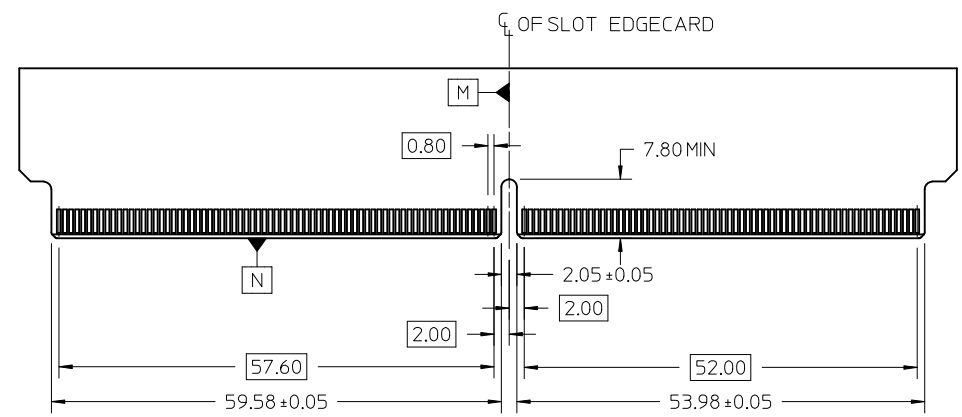
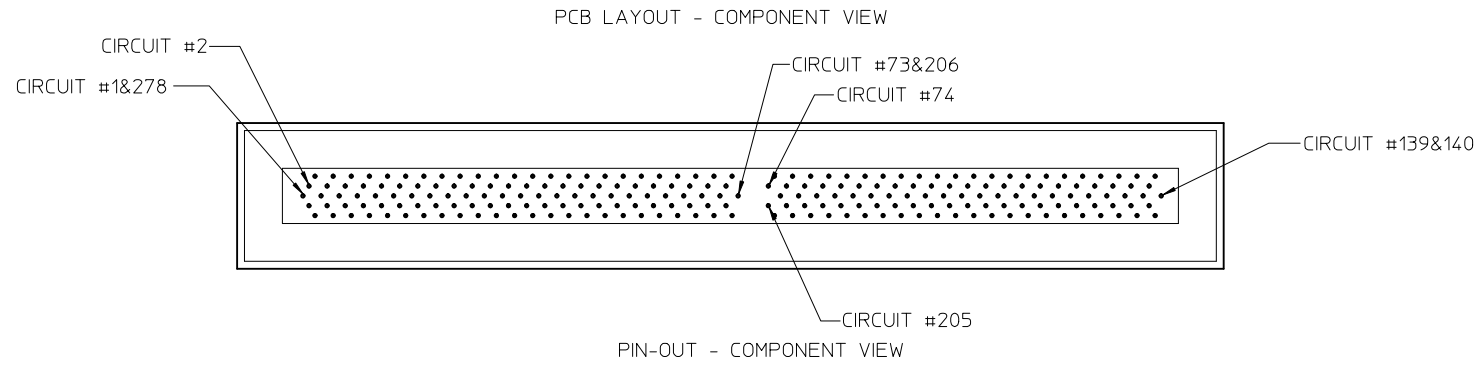
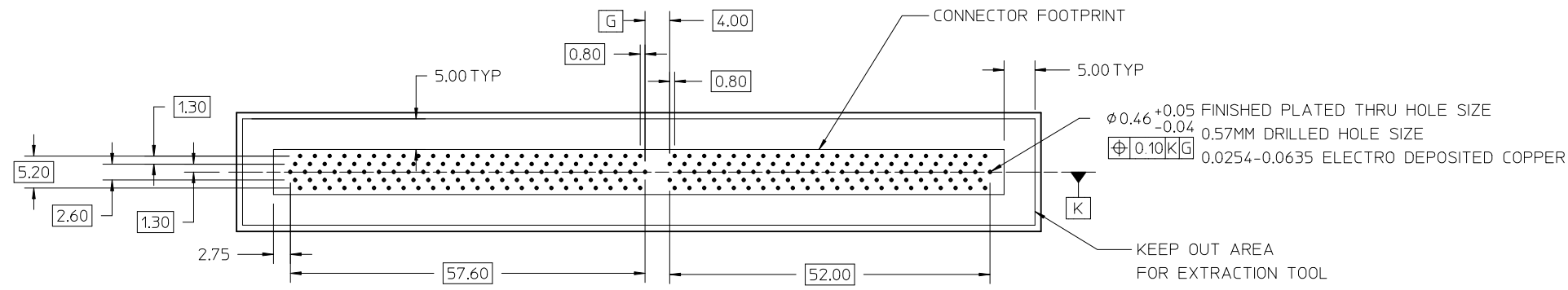
- MATERIAL:
HOUSING - GLASS FILLED THERMOPLASTIC, 94-V0, BLACK
TERMINALS - COPPER ALLOY
- FINISH:
CONTACT AREA: HARD GOLD -0.76µm MIN OVER 3.80µm NICKEL
COMPLIANT AREA: TIN - 0.76/1.52µm OVER NICKEL
- REFER TO PS-75594-999 PRODUCT SPECIFICATION FOR ALL ELECTRICAL, MECHANICAL AND ENVIRONMENTAL SPECIFICATIONS.
- REFER TO PK-76693-900 FOR ALL PACKAGING SPECIFICATIONS.
- PROCESSING: PRESSFIT TO PC BOARD.
- MATING PC BOARD THICKNESS = 1.60±0.16MM OVER CONTACT PADS.
- PRODUCT IS ELV AND RoHS COMPLIANT. LEVEL OF COMPLIANCE: 6/6
ALL BANNED SUBSTANCES ARE REMOVED:
Pb (LEAD)
HEXAVALENT CHROMIUM (CrVI)
CADMIUM
MERCURY
POLYBROMINATED BIPHENYL (PBB)
POLYBROMINATED DIPHENYL ETHER (PBDE)
- THIS PART CONFORMS TO CLASS B REQUIREMENTS OF COSMETIC SPEC PS-45499-002

INITIAL RELEASE EC NO: UCP2011-2702 DRW: DROSCA 2011/03/22 CHKD: JCOMERCI 2011/03/28 APPR: JCOMERCI 2011/03/28	QUALITY SYMBOLS ▽ = 0 ▽ = 1 ▽ = 1	GENERAL TOLERANCES (UNLESS SPECIFIED)		DIMENSION STYLE MM ONLY		SCALE 2:1	DESIGN UNITS METRIC	THIRD ANGLE PROJECTION		
		mm	INCH	DRAWN BY DROSCA	DATE 2011/03/22	TITLE EDGELINE 12.5GB 278CKTS 0.062*PCB 0.8MM PITCH				
		4 PLACES ± ---	± ---	CHECKED BY JCOMERCI	DATE 2011/03/28					
		3 PLACES ± ---	± ---	APPROVED BY JCOMERCI		DATE 2011/03/28	MATERIAL NO. 766912278			
2 PLACES ± 0.15	± ---	DOCUMENT NO. SD-76691-2278		SHEET NO. 1 OF 4						
1 PLACE ± 0.25	± ---	DRAFT WHERE APPLICABLE MUST REMAIN WITHIN DIMENSIONS								
THIS DRAWING CONTAINS INFORMATION THAT IS PROPRIETARY TO MOLEX INCORPORATED AND SHOULD NOT BE USED WITHOUT WRITTEN PERMISSION										

EDGE LINE CONNECTOR BOARD MOUNTING



SEE SHEET 1 EC NO: UCP2011-2702 DRW: DROSCA 2011/03/22 CHKD: JCOMERC I 2011/03/28 APPR: JCOMERC I 2011/03/28	QUALITY SYMBOLS ▽=0 ▽=0	GENERAL TOLERANCES (UNLESS SPECIFIED) <table border="1"> <thead> <tr> <th></th> <th>mm</th> <th>INCH</th> </tr> </thead> <tbody> <tr> <td>4 PLACES</td> <td>± .005</td> <td>± .0005</td> </tr> <tr> <td>3 PLACES</td> <td>± .005</td> <td>± .0005</td> </tr> <tr> <td>2 PLACES</td> <td>± 0.15</td> <td>± .005</td> </tr> <tr> <td>1 PLACE</td> <td>± 0.25</td> <td>± .010</td> </tr> </tbody> </table> ANGULAR ±1/2°		mm	INCH	4 PLACES	± .005	± .0005	3 PLACES	± .005	± .0005	2 PLACES	± 0.15	± .005	1 PLACE	± 0.25	± .010	DIMENSION STYLE MM ONLY DRAWN BY DATE DROSCA 2011/03/22 CHECKED BY DATE JCOMERC I 2011/03/28 APPROVED BY DATE JCOMERC I 2011/03/28 MATERIAL NO.	SCALE 2:1 DESIGN UNITS METRIC THIRD ANGLE PROJECTION	TITLE EDGE LINE 12.5GB 278CKTS 0.062*PCB 0.8MM PITCH
		mm	INCH																	
	4 PLACES	± .005	± .0005																	
	3 PLACES	± .005	± .0005																	
2 PLACES	± 0.15	± .005																		
1 PLACE	± 0.25	± .010																		
DRAFT WHERE APPLICABLE MUST REMAIN WITHIN DIMENSIONS	SEE SHEET 1	MOLEX INCORPORATED DOCUMENT NO.	SHEET NO. 2 OF 4																	
THIS DRAWING CONTAINS INFORMATION THAT IS PROPRIETARY TO MOLEX INCORPORATED AND SHOULD NOT BE USED WITHOUT WRITTEN PERMISSION																				



SEE SHEET 1 EC NO: UCP2011-2702 DRAWN: DROSCA 2011/03/22 CHKD: JCOMERC I 2011/03/28 APPR: JCOMERC I 2011/03/28	QUALITY SYMBOLS	GENERAL TOLERANCES (UNLESS SPECIFIED)	DIMENSION STYLE MM ONLY	SCALE 2:1	DESIGN UNITS METRIC	THIRD ANGLE PROJECTION
	▽=0	mm INCH	DRAWN BY DATE DROSCA 2011/03/22	TITLE EDGELINE 12.5GB 278CKTS 0.062*PCB 0.8MM PITCH		
	▽=0	4 PLACES ± --- ± ---	CHECKED BY DATE JCOMERC I 2011/03/28	MATERIAL NO. DOCUMENT NO. MOLEX INCORPORATED		
	▽=0	3 PLACES ± --- ± ---	APPROVED BY DATE JCOMERC I 2011/03/28	SHEET NO. SD-76691-2278 3 OF 4		
	ANGULAR ±1/2°	DRAFT WHERE APPLICABLE MUST REMAIN WITHIN DIMENSIONS	SIZE C	THIS DRAWING CONTAINS INFORMATION THAT IS PROPRIETARY TO MOLEX INCORPORATED AND SHOULD NOT BE USED WITHOUT WRITTEN PERMISSION		

