

SMT TR series

Surface mount tiny washable rocker switches

Distinctive features and specifications



- Entirely designed for surface mount
- Tape and reel packaging
- Reflow solderable
 - High temperature plastic materials
 - Tin plated ground plate
 - Terminal coating : tin alloy over nickel plating
 - Terminals turned to the outside, preventing the shadow effect in infrared soldering and permitting visual inspection of solder joints
 - Distance between case and circuit : 0,55 mm (.021)
 - End stackable with 10,16 mm (.40) pitch
 - Available with positioning pins to ensure switch orientation during the reflow process and increasing switch mechanical resistance
- Protected against electrostatic discharges (ESD) up to 10 KV
- Washable

Construction withstands cleaning processes, including hot water under pressure

ELECTRICAL SPECIFICATIONS

- Max. current/voltage rating with resistive load : 0,4VA 20V max. AC or DC
- Minimum load : 10mA 50mV or 10µA 5VDC
- Initial contact resistance : 20 mΩ max
- Insulation resistance : 1.000 MΩ min. at 500VDC
- Dielectric strength : 1.000 Vrms. 50 Hz min. between terminals and frame
- 500 Vrms. 50 Hz min. between terminals
- Electrical life at full load :
 - 2 position switches : 60.000 cycles
 - 3 position switches : 30.000 cycles
- Static resistance : 10 KV (Schaffner equipment)

GENERAL SPECIFICATIONS

- Operating temperature : -40°C to +85°C
- Moisture resistance : 21 days per IEC 512-6 test 11 c
- Vibration resistance : 10-500 Hz / 10 g per IEC 512-4 test 6d
- Shock resistance : 50 g per IEC 512-4 test 6c

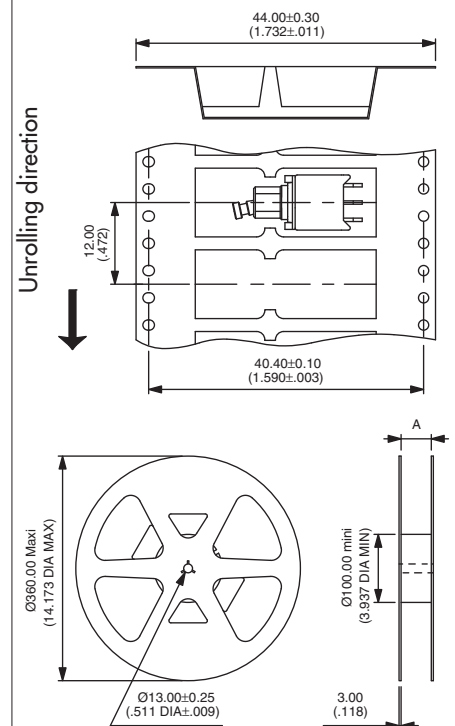
MATERIALS

- Case : high temperature plastic material UL94-V0
- Actuator : high temperature plastic rocker
- Ground plate and positioning pins : steel, tin plated
- Contacts : brass, gold plated
- Terminals : brass, with pure tin plating over nickel barrier

SOLDERING AND CLEANING

- Reflow soldering : infrared, vapor phase or infrared convection
- Washable per IEA-RS448-2 :
 - water + detergent - preferred
 - solvents
- Further information on reflow soldering : see end of catalogue.

PACKAGING



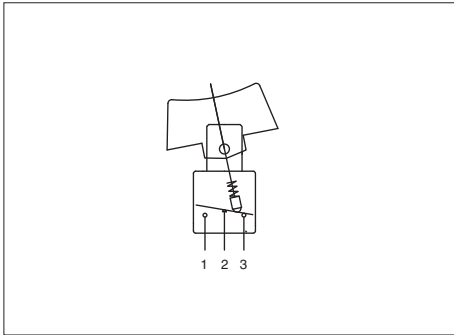
Tape width	24.00 (.944)	44.00 (1.732)
Reel (dimension A)	24.40+2.00/0.00 (.960+.078/.000)	44.40+2.00/0.00 (1.748+.078/.000)

Standard packaging unit : 700 pieces
 Tape meeting international standard IEC - Publication 286-3 (EIA481A)
 Start leader : 400 mm min.

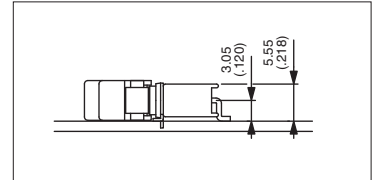
Dimensions : First dimensions are in mm while inches are shown as bracketed numbers.

SMT TR series

Surface mount tiny washable rocker switches



- With or without positioning pins
- Single pole

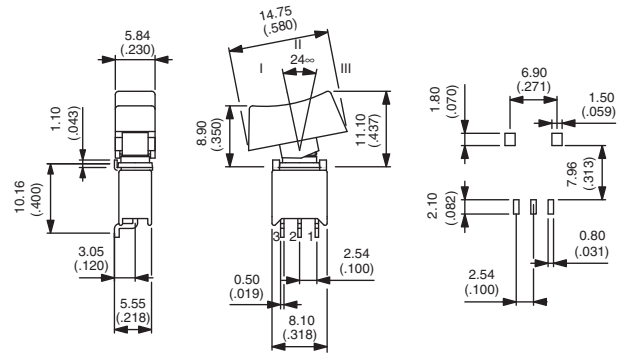


Without positioning pins



TR36WS80000
TR39WS80000
TR37WS80000
TR38WS80000
TR32WS80000

III	II	I
ON	-	ON
ON	OFF	ON
MOM	OFF	MOM
ON	OFF	MOM
ON	-	MOM



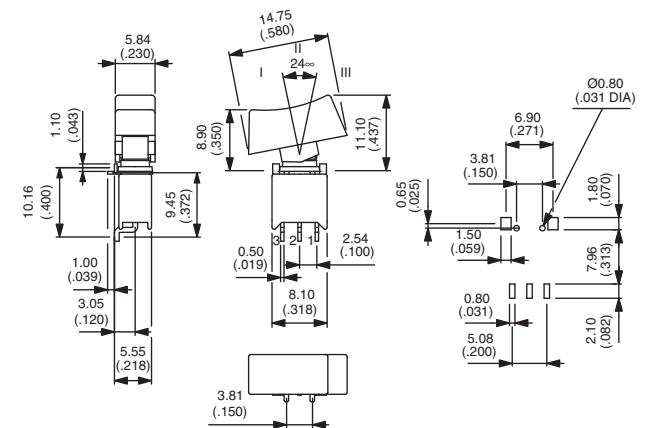
Supplied without rocker.

With positioning pins



TR36WS80065
TR39WS80065
TR37WS80065
TR38WS80065
TR32WS80065

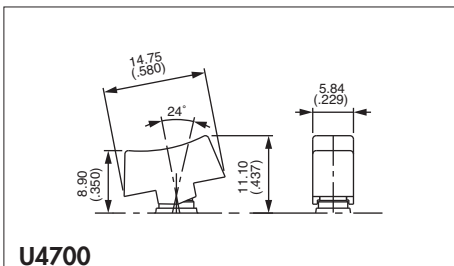
III	II	I
ON	-	ON
ON	OFF	ON
MOM	OFF	MOM
ON	OFF	MOM
ON	-	MOM



Supplied without rocker.

ROCKERS

Order separately.



Rocker colours

Replace last "0" by number

1	blue	5	yellow
1/4	dark blue	6	red
2	black	7	ivory
3	green	7/1	white
4	grey	9	orange