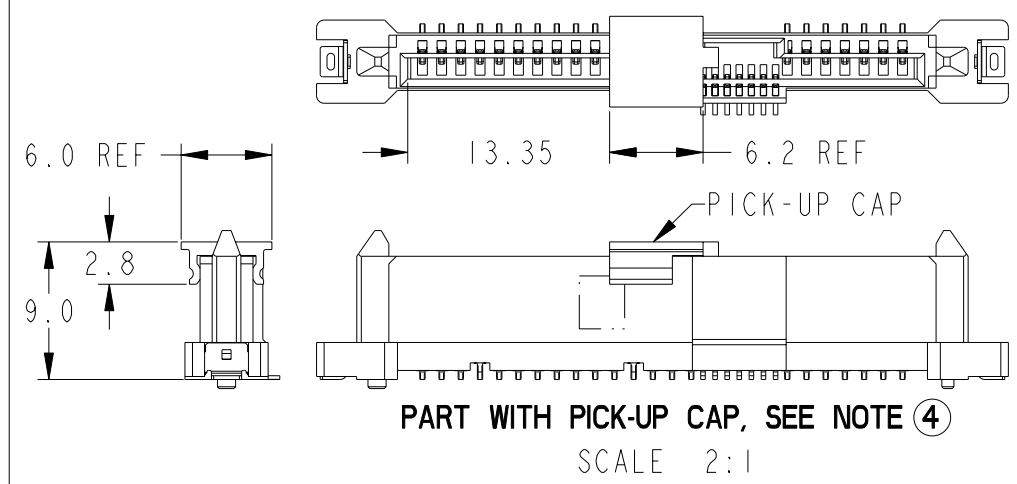
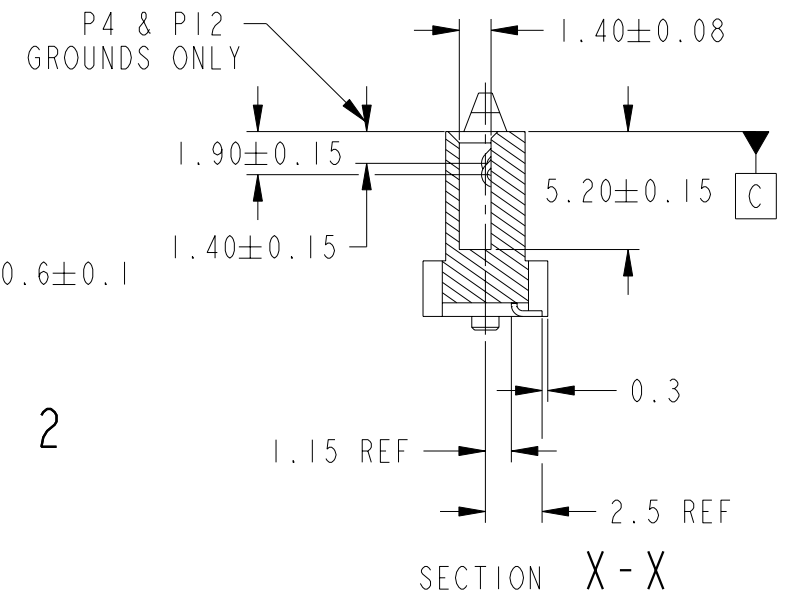
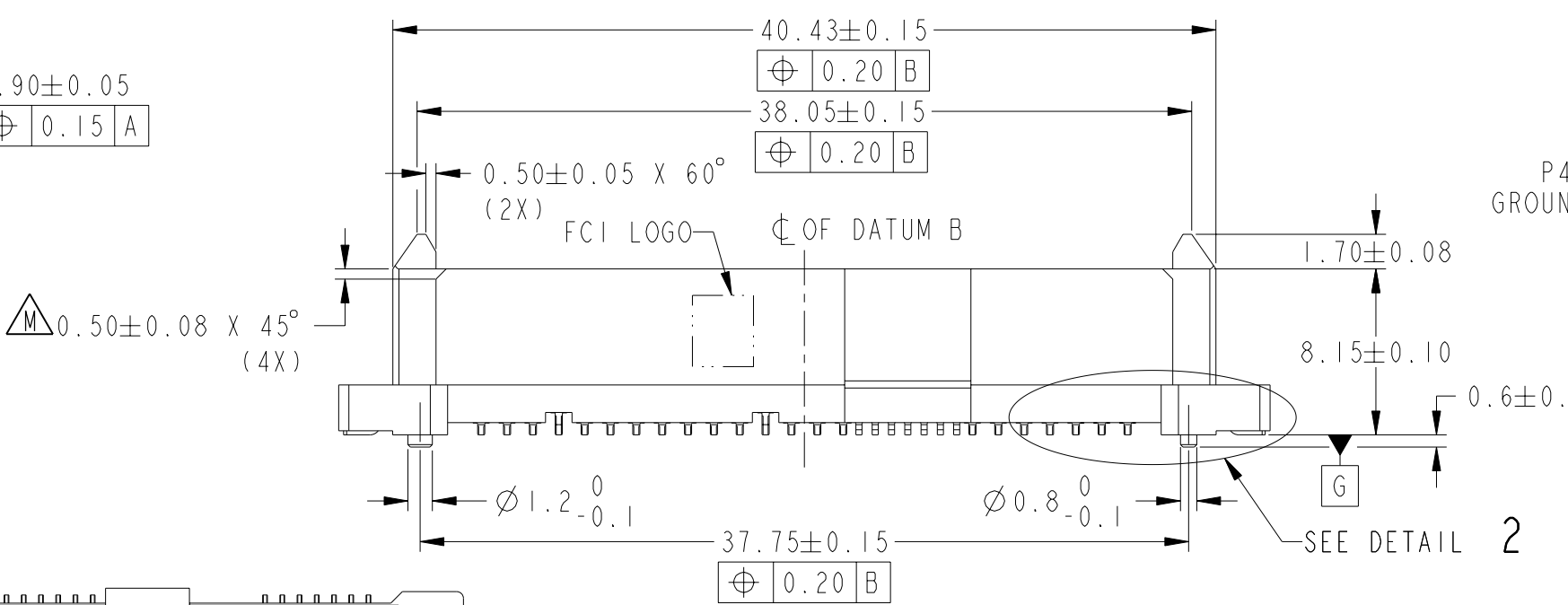
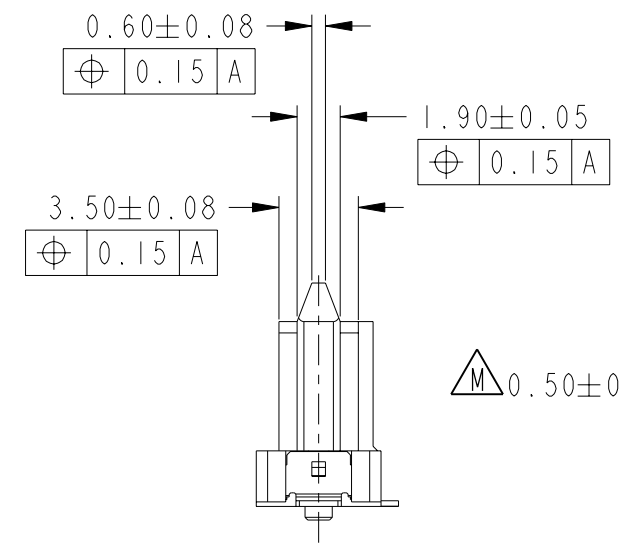
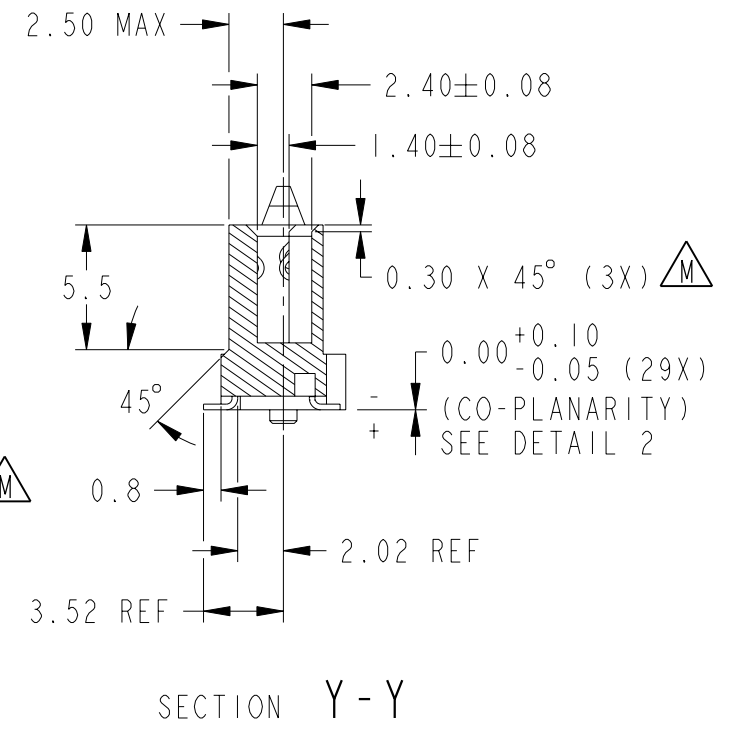
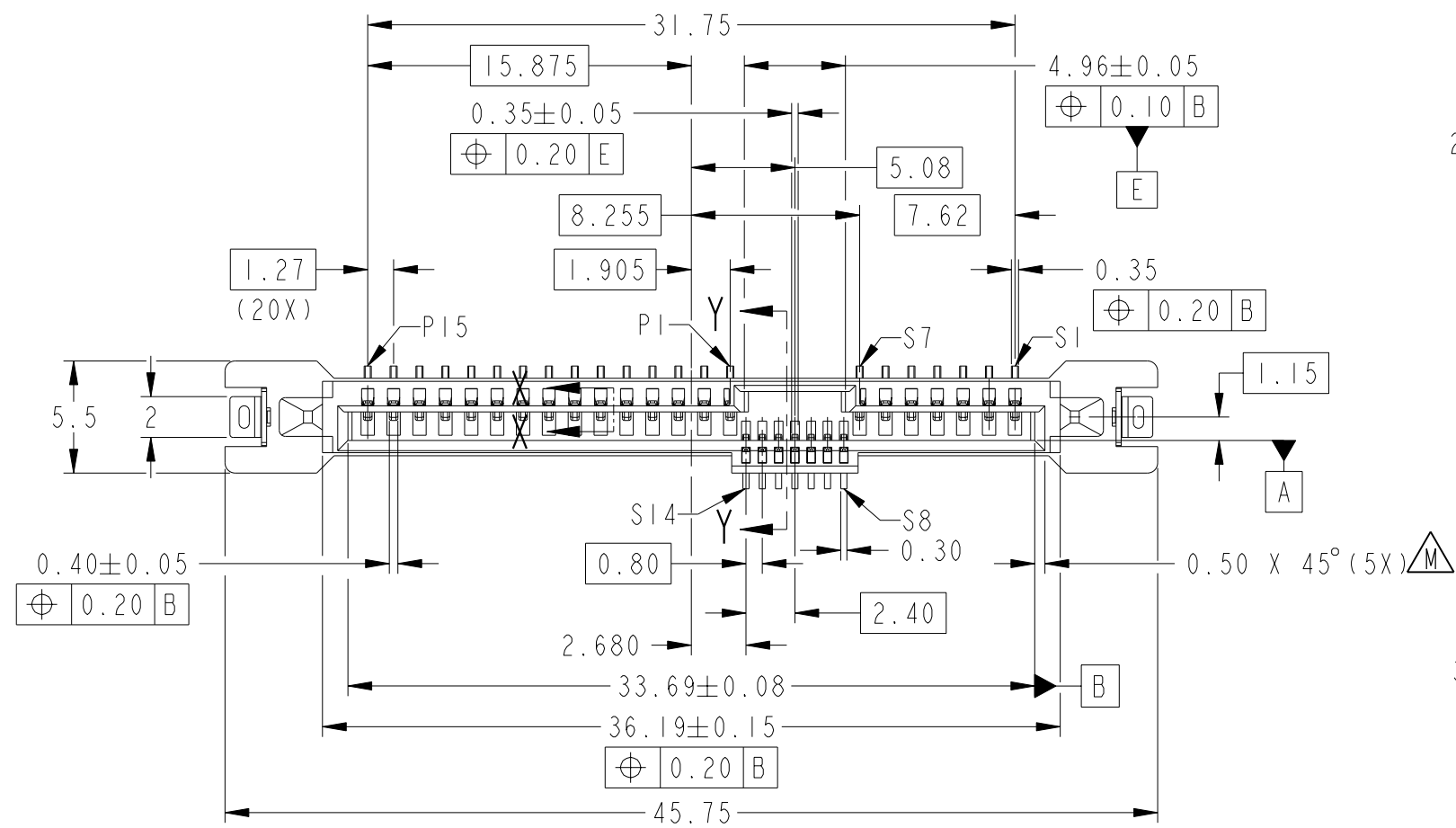


PRODUCT NO
SEE TABLE



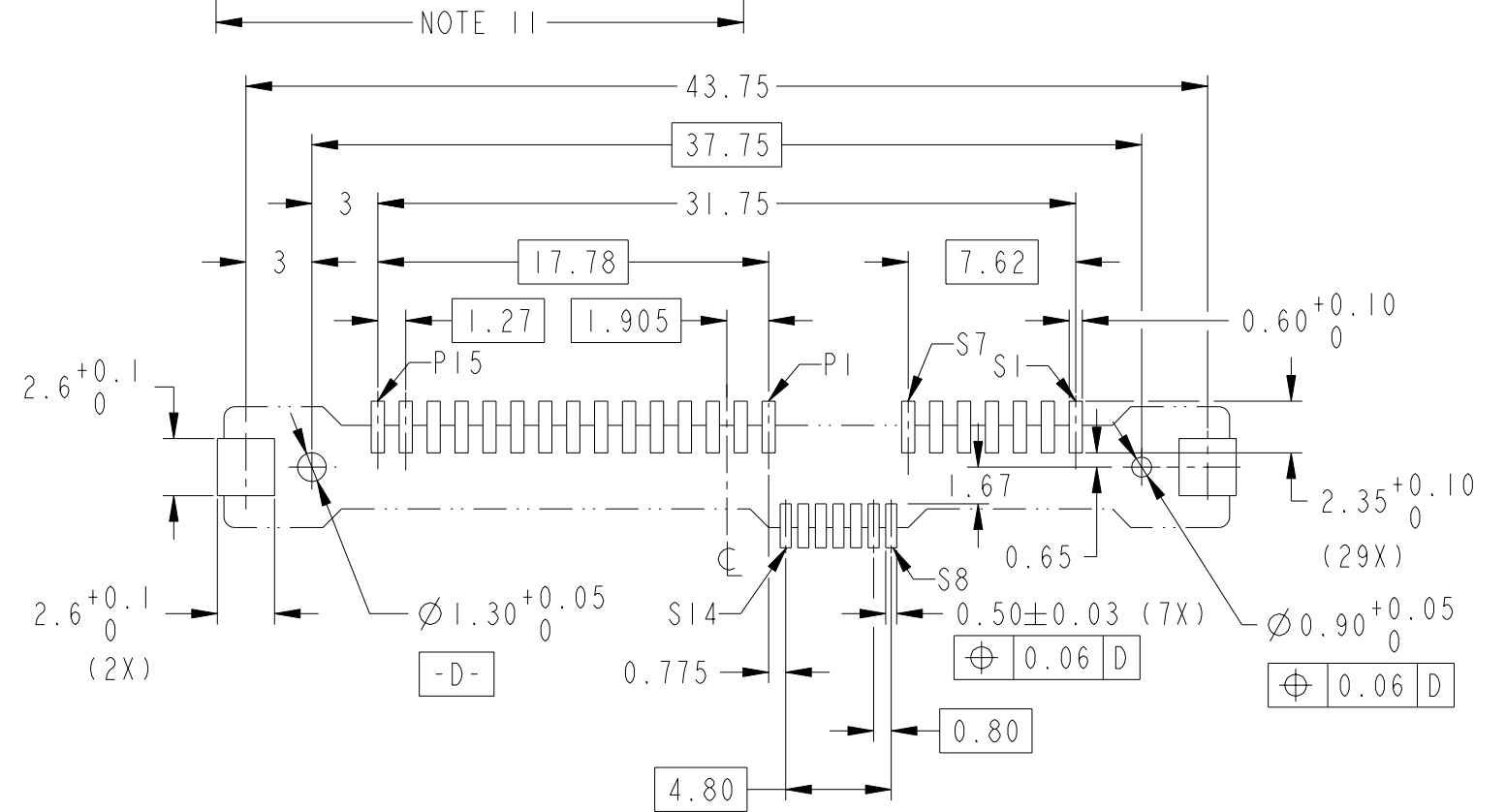
spec ref	-	dr	GL LOO	2004-02-27	projection	MM	size	A3	scale	3:1
tolerance std	ISO 406 ISO 1101	eng	GL LOO	2004-02-27			ecn no	S10-0228		
TOLERANCES UNLESS OTHERWISE SPECIFIED		chr	GL LOO	2010-10-28			rel level	-		
surface	ISO 1302	appr	JOEY NG	2010-10-28	product family	SAS	rel level	-		
linear	0.X ± 0.XX ±0.20 0.XXX ±			SAS RECEPTACLE VERTICAL SMT TYPE ASSY		dwg no	10031567		rev	M
angular	0° ±2°	www.fci.com		cat. no.	-	Product - Customer Drw		sheet 1 of 3		

Copyright FCI.

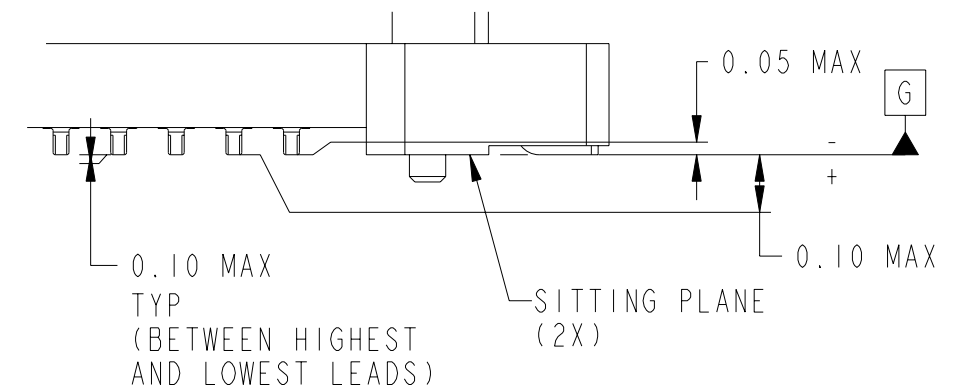
PRODUCT NO	METAL CLIP	PLATING	PICK-UP CAP	PACKAGING	REMARKS	PRODUCT NO	PLATING
10031567-001LF	2 PCS	NOTE 2	NO	TRAY	NOTE ⑧	10031567-401LF	NOTE ⑪
10031567-001CLF			YES		NOTE ④ & ⑧	10031567-401CLF	
10031567-001C-TRLF			YES	TAPE & REEL	NOTE ④ ⑥ & ⑧	10031567-401C-TRLF	

NOTES:

- MATERIAL :
 - HOUSING : HIGH TEMP THERMOPLASTIC, UL 94V-0
COLOR : BLACK
 - TERMINAL : COPPER ALLOY
 - HOLD DOWN : COPPER ALLOY
- FINISH :
 - TERMINAL : 30μ" Au PLATING (CONTACT POINT) OVER 50μ" NICKEL
 - SOLDER TAIL : 100μ" MIN Sn OVER 50μ" NICKEL
 - HOLD DOWN : 100μ" MIN Sn OVER 50μ" NICKEL
- PER SFF REV 1.1, EXCEPT 0.8mm PITCH BUMP AREA.
- PART WITH PICK-UP CAP, P/N XXXXXXXX-XXXC LF.
- THE STD PACKAGING IS IN TRAY UNLESS OTHERWISE SPECIFIED.
- PART NUMBER WITH SUFFIX "-TR" MEANS FOR TAPE & REEL PACKAGING (E.G. P/N: XXXXXXXX-XXXC-TRLF).
- THE HOUSING WILL WITHSTAND EXPOSURE TO 260°C PEAK TEMPERATURE FOR 10 SECONDS IN A CONVECTION, INFRA-RED OR VAPOR PHASE REFLOW OVEN.
- THIS PRODUCT MEETS EUROPEAN UNION DIRECTIVES AND OTHER COUNTRY REGULATIONS AS DESCRIBED IN GS-22-008.
- PART NUMBERS ENDING IN "LF" MEANS FOR NOTE 8 LEAD FREE IDENTIFICATION
 (i) ~~XXXXXXXX-XXXLF IS EQUIVALENT TO PREVIOUS P/N XXXXXXXX-XXX~~
 (ii) ~~XXXXXXXX-XXXCLF IS EQUIVALENT TO P/N XXXXXXXX-XXXC~~
 (iii) ~~XXXXXXXX-XXXC-TRLF IS EQUIVALENT TO P/N XXXXXXXX-XXXC-TR~~
- A \triangle SYMBOL WILL BE NEXT TO ANY DIMENSION, VIEW, OR NOTE WHICH HAS BEEN MODIFIED WITH THE CURRENT DRAWING REVISION.
- FINISH :
 - TERMINAL : 15μ" GXT PLATING (CONTACT POINT) OVER 50μ" NICKEL
 - SOLDER TAIL : 100μ" MIN Sn OVER 50μ" NICKEL
 - HOLD DOWN : 100μ" MIN Sn OVER 50μ" NICKEL



RECOMMENDED PCB LAYOUT



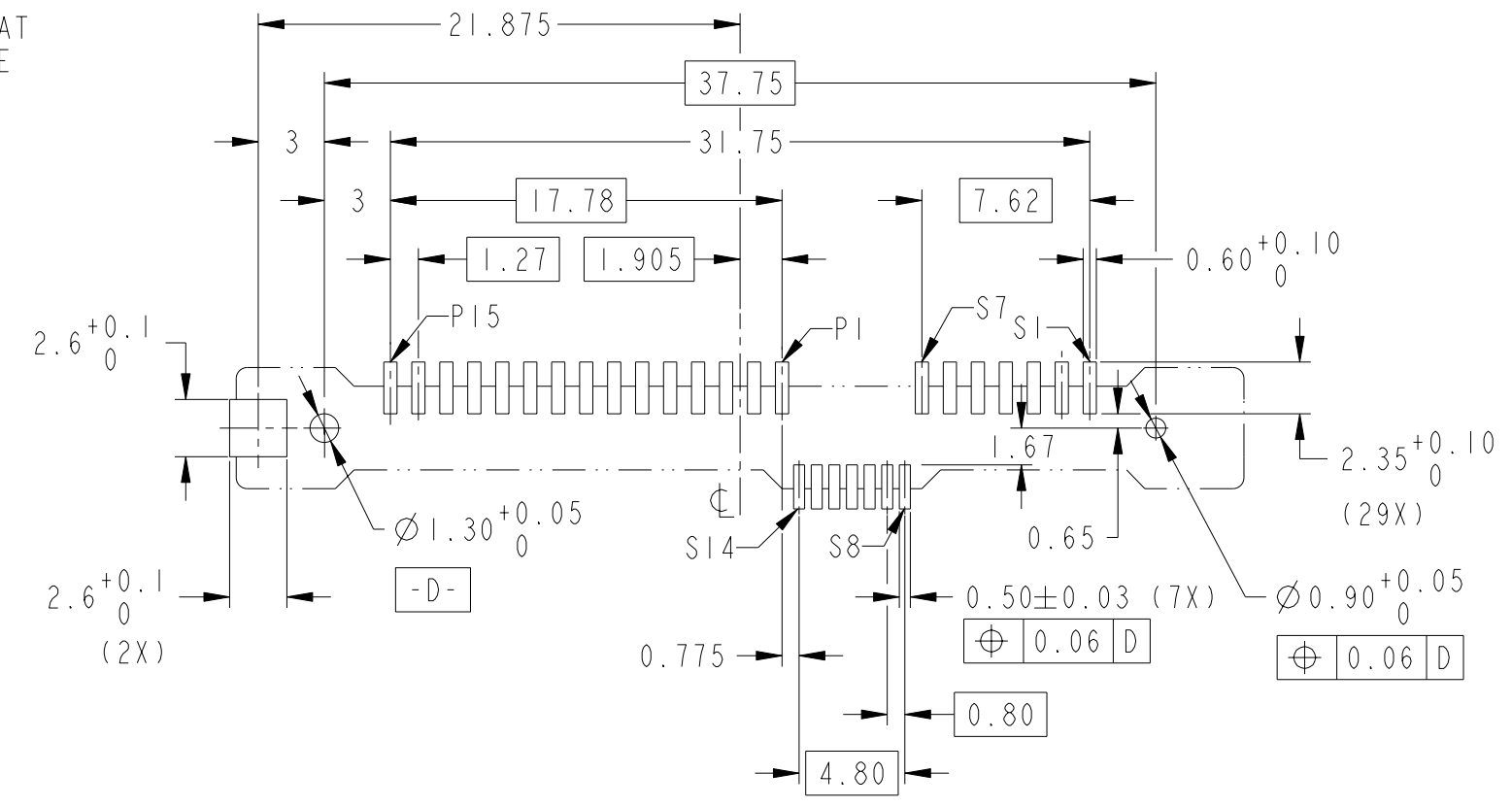
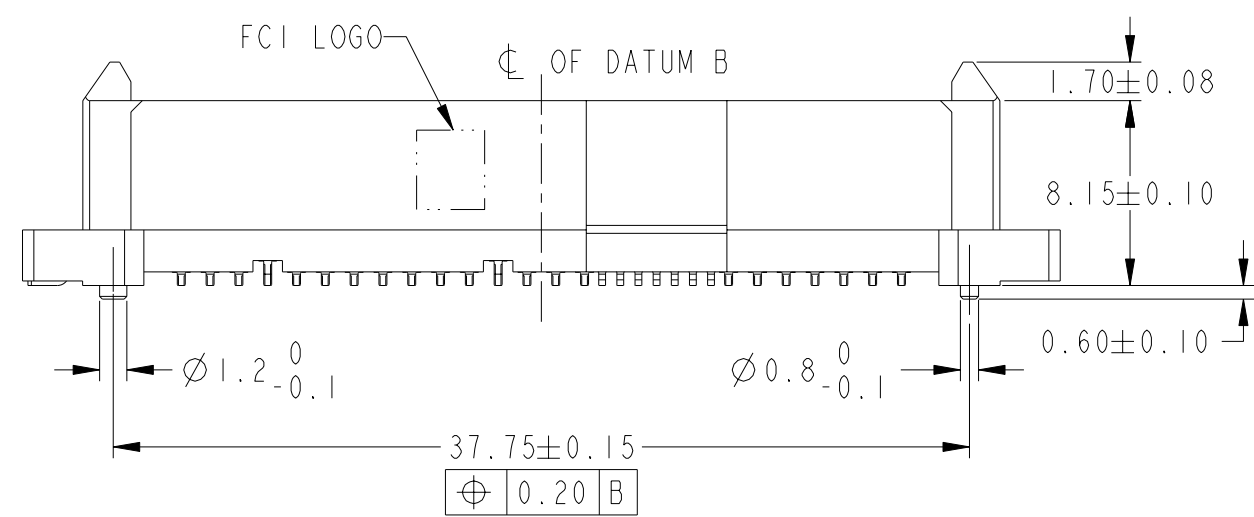
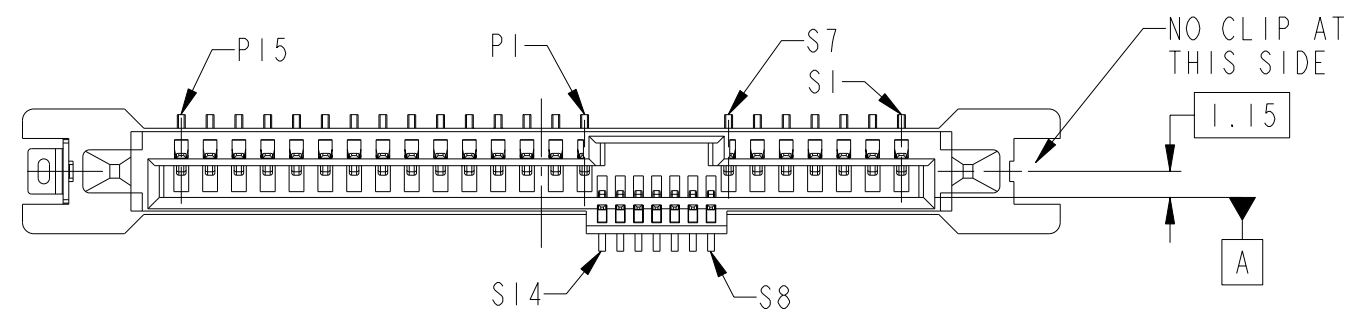
DETAIL 2
SCALE 6:1

spec ref	-	dr	GL LOO	2004-02-27	projection	MM	size	A3	scale	3:1									
tolerance std	TOLERANCES UNLESS OTHERWISE SPECIFIED	eng	GL LOO	2004-02-27			ecn no	S10-0228	rel level	-									
ISO 406		chr	GL LOO	2010-10-28															
ISO 1101		appr	JOEY NG	2010-10-28	product family	SAS													
surface	<table border="1"> <tr> <td>linear</td> <td>0.X</td> <td>±-</td> </tr> <tr> <td></td> <td>0.XX</td> <td>±0.20</td> </tr> <tr> <td></td> <td>0.XXX</td> <td>±-</td> </tr> <tr> <td>angular</td> <td>0°</td> <td>±2°</td> </tr> </table>	linear	0.X	±-		0.XX	±0.20		0.XXX	±-	angular	0°	±2°			SAS RECEPTACLE VERTICAL SMT TYPE ASSY		dwg no 10031567	rev M
linear	0.X	±-																	
	0.XX	±0.20																	
	0.XXX	±-																	
angular	0°	±2°																	
ISO 1302		www.fci.com	cat. no.	-	Product - Customer Drw		sheet 2 of 3												

PRODUCT NO	METAL CLIP	PLATING	PICK-UP CAP	PACKAGING	REMARKS	PRODUCT NO	PLATING
10031567-002LF	1 PC	NOTE 2	NO	TRAY	NOTE ⑧	10031567-402LF	NOTE ⑪
10031567-002CLF			YES		NOTE ④ & ⑧	10031567-402CLF	
10031567-002C-TRLF			YES	TAPE & REEL	NOTE ④ ⑥ & ⑧	10031567-402C-TRLF	

NOTE 11

PRODUCT NO	METAL CLIP	PLATING	PICK-UP CAP	PACKAGING	REMARKS
10031567-404C-TRLF	1 PC	NOTE 11	YES	CUSTOM-MADE TAPE & REEL	NOTE ④ ⑥ & ⑧



RECOMMENDED PCB LAYOUT

ALL OTHER DIMENSIONS, REFER TO SHEET 1.



Copyright FCI.

spec ref	-	dr	GL LOO	2004-02-27	projection	MM	size	A3	scale	3:1
tolerance std	ISO 406 ISO 1101	eng	GL LOO	2004-02-27			ecn no	S10-0228	rel level	-
TOLERANCES UNLESS OTHERWISE SPECIFIED		chr	GL LOO	2010-10-28						
surface	ISO 1302	appr	JOEY NG	2010-10-28			dwg no	10031567	rev	M
					cat. no.	-	Product - Customer Drw		sheet 3 of 3	