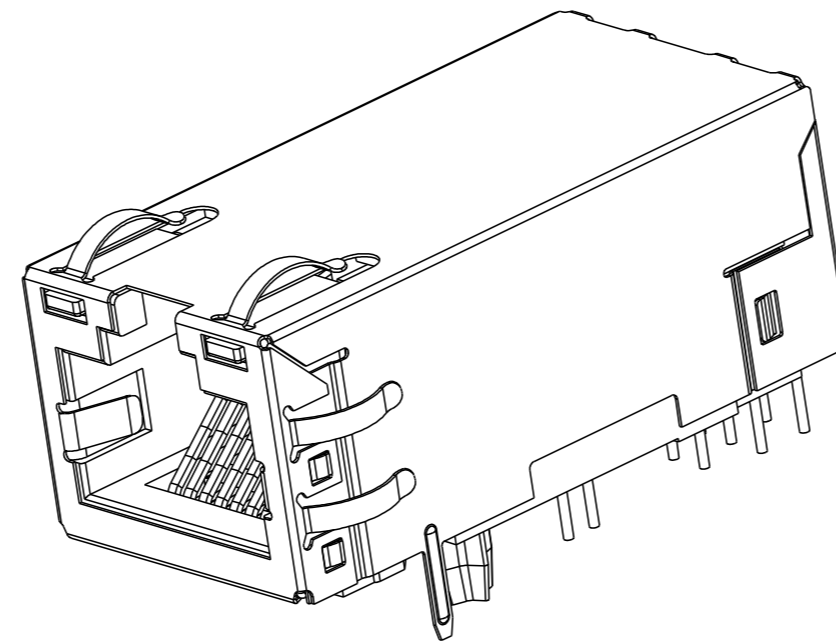
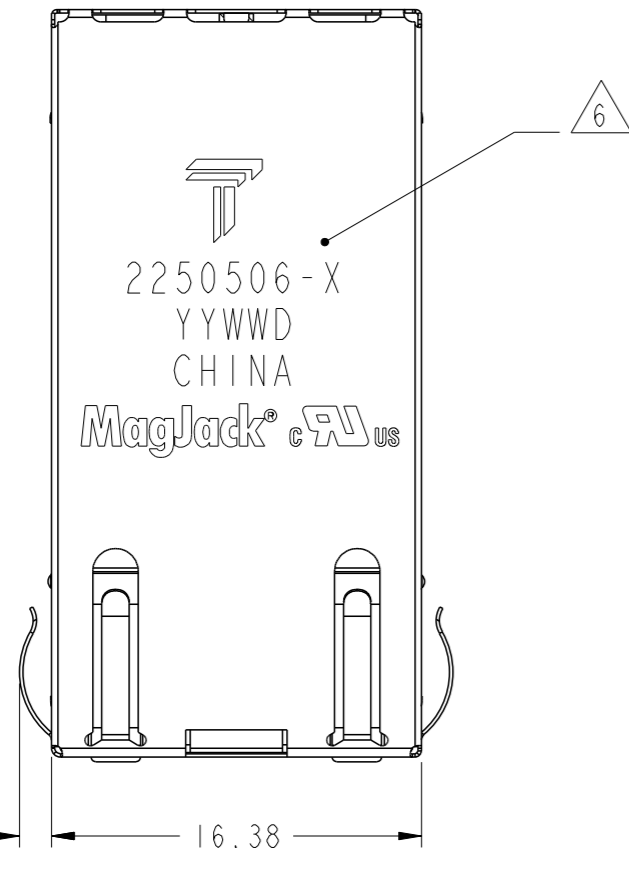


THIS DRAWING AND THE SUBJECT MATTER SHOWN THEREON ARE CONFIDENTIAL AND THE PROPERTY OF BEL/STEWART/TRP CONNECTOR AND SHALL NOT BE REPRODUCED, COPIED, OR USED IN ANY MANNER WITHOUT THE WRITTEN CONSENT OF TRP CONNECTOR.

PRODUCT MAY BE PROTECTED BY ONE OR MORE OF THE FOLLOWING US PATENTS:
 5736910 5939955 6425781 6428361 6554638 6840817 7123117
 7429195 7717749 7808751 6217391 6149050 7924130

REVISIONS				
P	LTR	DESCRIPTION	DATE	APVD
1		INITIAL RELEASE	19APR2017	TRY TYY
2		SEE LAST SHEET	21APR2017	TRY TY



1. MATERIALS

HOUSING: THERMOPLASTIC, BLACK, FLAMMABILITY RATING UL 94V-0
 SHIELD: STAINLESS STEEL, 0.15mm THICK, PREPLATED WITH MIN 0.76μm SEMI-BRIGHT NICKEL POST DIPPED WITH 2.54μm MIN SAC SOLDER AT GROUND PINS.
 CONTACT: PHOSPHOR BRONZE, 0.46mmX0.30mm WITH 1.27μm MIN OVERALL NICKEL UNDERPLATE AND SELECTIVE 1.27μm MIN GOLD PLATING AT MATING INTERFACE.
 SOLDER TAIL(LED AND SIGNAL): Ø0.45mm COPPER PLATED STEEL, PLATED WITH 2.54μm MIN TIN.

2. MAGNETICS

-APPLICATION: GIGABIT BASE-T 4PPoE EXTENDED TEMPERATURE
 -IMPEDANCE: 100 OHMS
 -TURNS RATIO (CHIP:CABLE): 1:1 ALL FOUR PAIRS
 -OPEN CIRCUIT INDUCTANCE (OCL): ALL CHANNELS
 350uH MIN @100kHz, 0.1VRMS, 8mA DC BIAS FROM -40°C TO 85°C,
 120uH MIN @100kHz, 0.1VRMS, 23mA DC BIAS FROM -40°C TO 85°C.
 -ALL FOUR PAIRS BI-DIRECTIONAL
 -PoE CURRENT: 900mADC MAX
 -PERFORMANCE @ 25°C: PLEASE REFER TO SEPARATE SHEET
 -ISOLATION VOLTAGE: 2250VDC FOR 60 SECONDS WITH A RISE TIME OF 500V/SEC.

3. OPERATING TEMPERATURE: -40°C TO 85°C

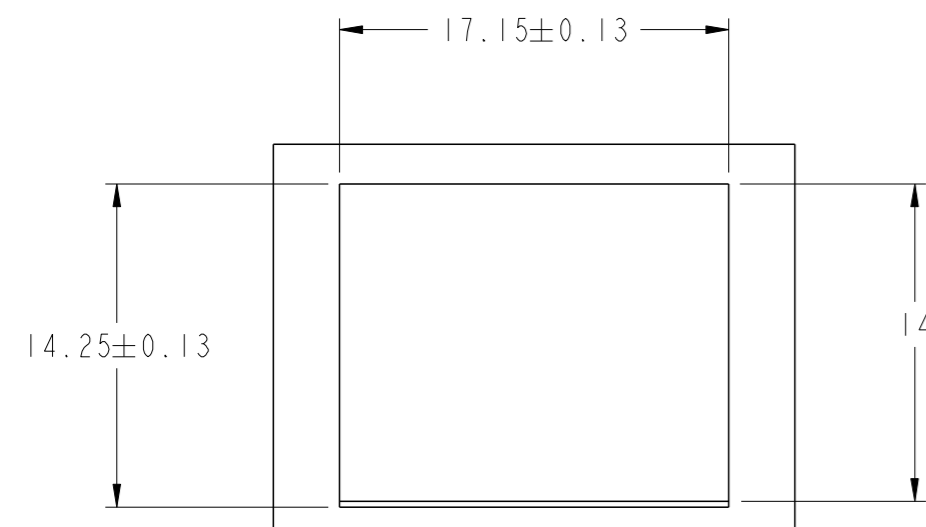
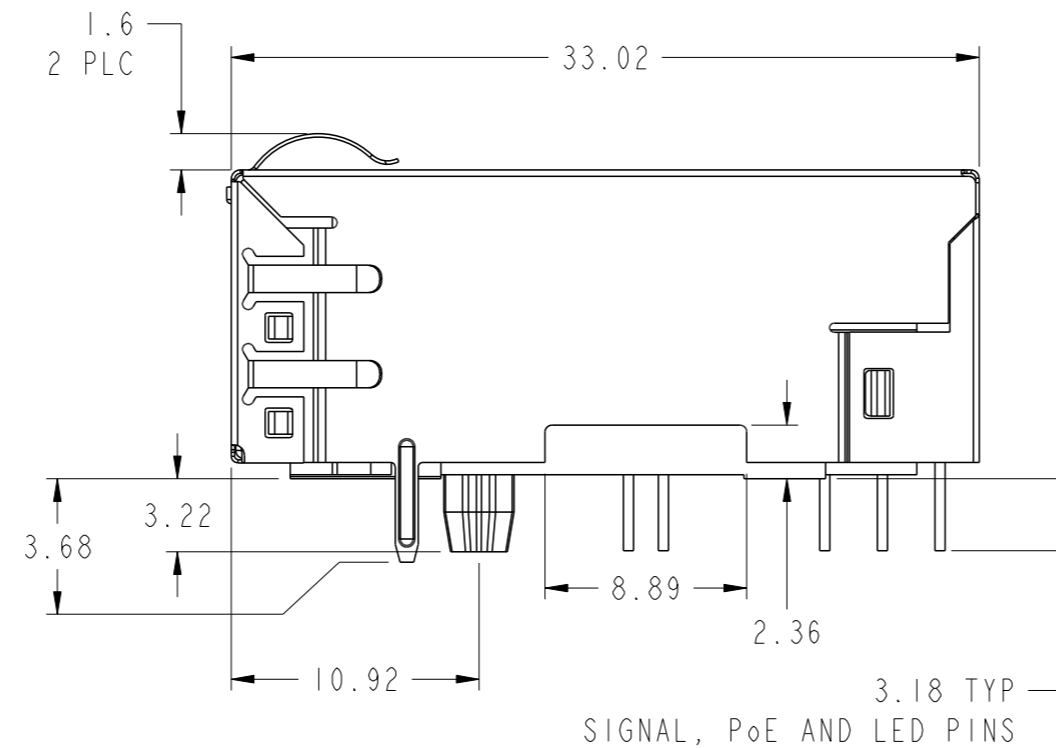
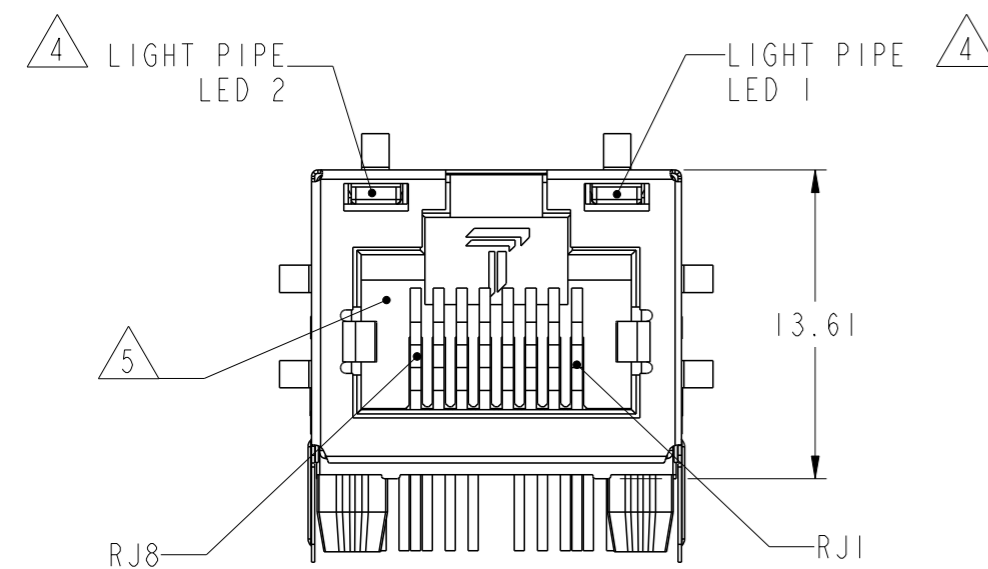
4. LIGHT PIPES ARE USED TO TRANSMIT LIGHT OF LED.

LEDS ARE DRIVEN WITH CONSTANT CURRENT AT APPROX 20mA.
 LED COLOR: DOMINANT WAVELENGTH (λ D): GREEN 567nm TYP. at IF=20mA
 FORWARD VOLTAGE (VF): GREEN 2.2V TYP. at IF=20mA
 DOMINANT WAVELENGTH (λ D): YELLOW 587nm TYP. at IF=20mA
 FORWARD VOLTAGE (VF): YELLOW 2.1V TYP. at IF=20mA
 DOMINANT WAVELENGTH (λ D): ORANGE 605 nm TYP @ IF=20 mA
 FORWARD VOLTAGE (VF): ORANGE 2.1V TYP @ IF=20 mA

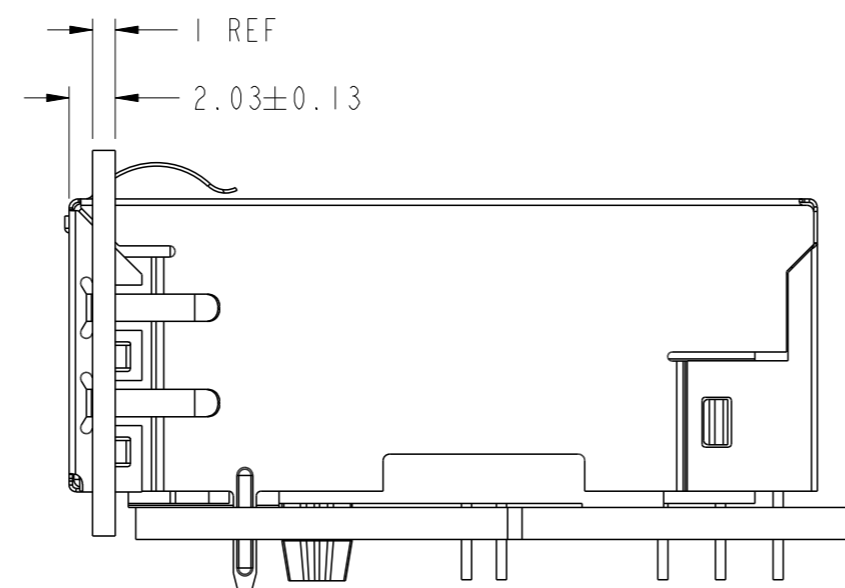
5. RJ45 CAVITY CONFORMS TO FCC RULES AND REGULATION PART 68 SUBPART F.

6. TRP CONNECTOR LOGO, PART NUMBER, DATE CODE, COUNTRY OF ORIGIN, AGENCY APPROVAL MARKING IN APPROPRIATE LOCATION SHOWN. DATE CODE: YYWWD "YY" IS YEAR, "WW" IS WORK WEEK, "D" IS DAY OF WEEK, WITH SUNDAY=1.

7. PART SHOULD BE RECOMMENDED FOR WAVE SOLDERING PROCESS, PEAK WAVE SOLDERING TEMPERATURE IS 260°C, 10 SECOND MAX.



SUGGESTED PANEL CUTOUT

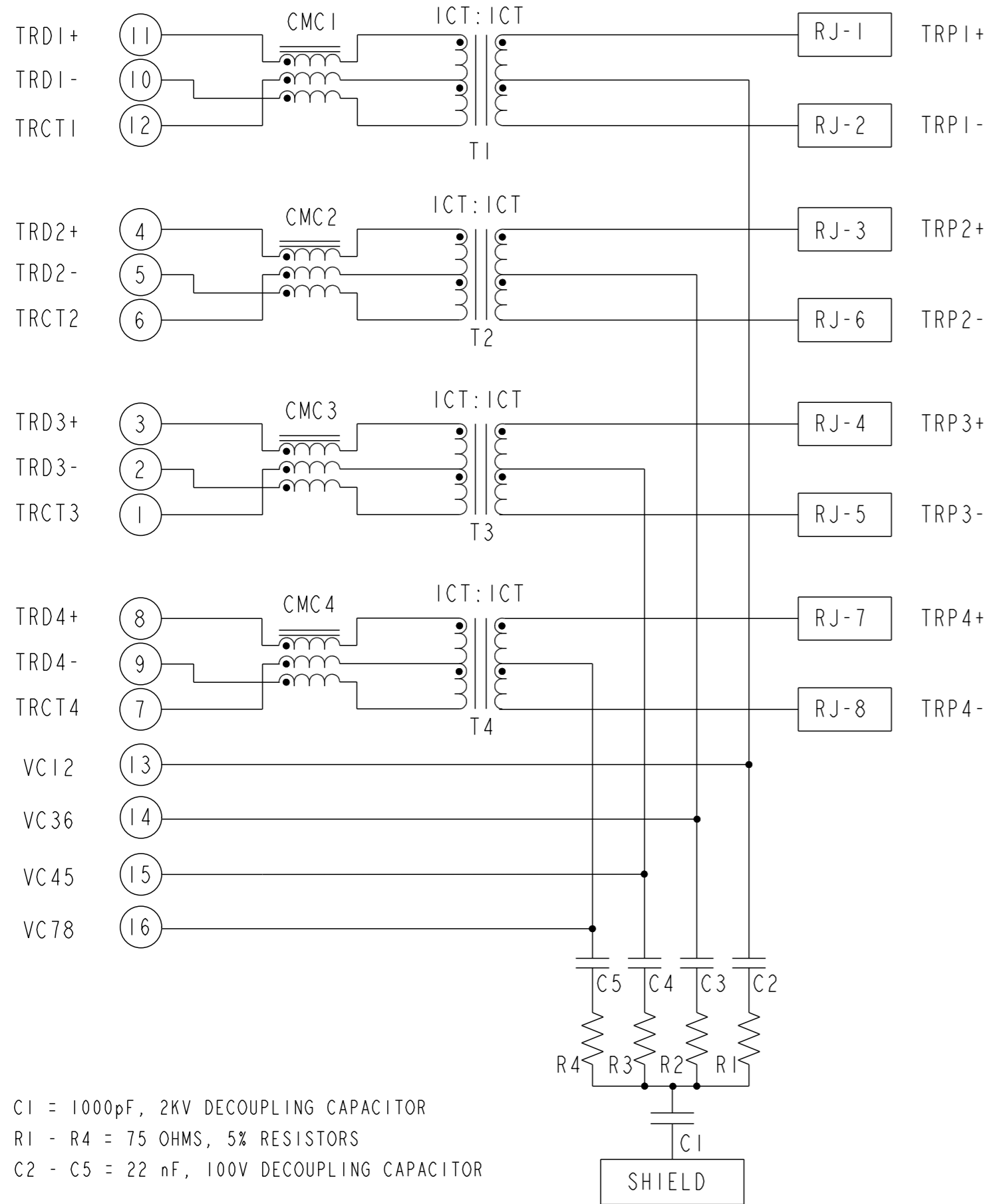


CONNECTOR ASSEMBLED TO PANEL AND PCB

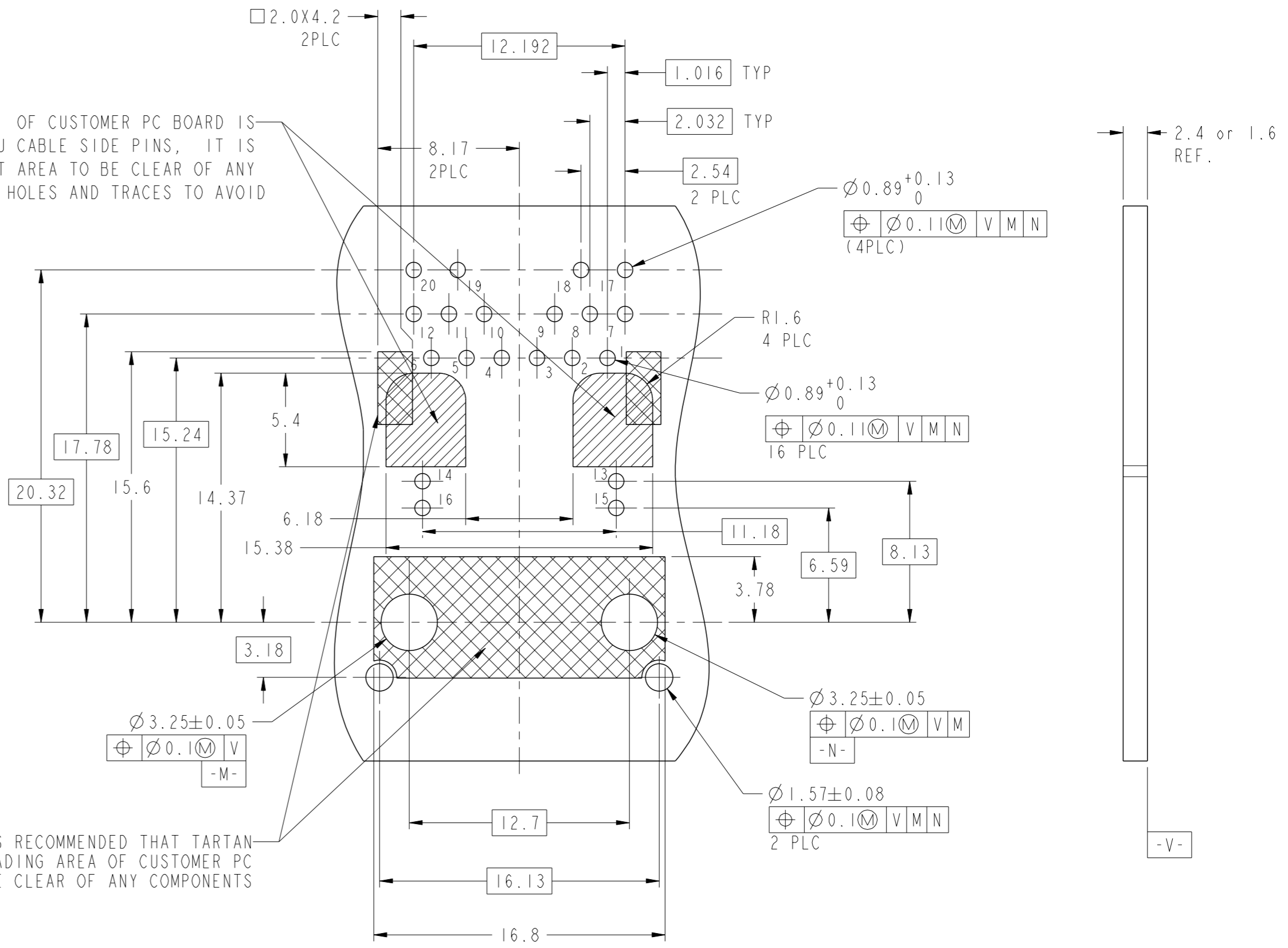
THIS DRAWING IS A CONTROLLED DOCUMENT, AND COMPLIANT TO ASME Y14.5M	
DIMENSIONS: mm	TOLERANCES UNLESS OTHERWISE SPECIFIED:
	0 PLC ±
	1 PLC ±0.25
	2 PLC ±0.25
	3 PLC ±0.25
	4 PLC ±
PRODUCT SPEC	ANGLES ±
	APPLICATION SPEC

ORANGE	GREEN	-	YELLOW	2250506-1
20-19	20-19	18-17	18-17	PART NUMBER
LED 2		LED 1		
DWN TOWER YU / XENIA WANG		19APR2017		 DONGGUAN CHINA
CHK BILL LIU		19APR2017		
APVD TONY YUAN		19APR2017		 a bel group
MODEL NAME		DESC		
MAGJACK SINGLE 4PPOE		IXI 7UG01ET GIGABIT 4PPoE 100W EXTENDED TEMPERATUR TAB UP, W/ LEDS		
SIZE A2	CAGE CODE	DRAWING NO C-2250506	RESTRICTED TO	
CUSTOMER DRAWING			SCALE NTS	SHEET 1 OF 3 REV 2

7UG01ET GIGABIT BASE-T 100W CIRCUIT



THE SHADED AREA OF CUSTOMER PC BOARD IS EQUIVALENT TO RJ CABLE SIDE PINS, IT IS RECOMMENDED THAT AREA TO BE CLEAR OF ANY COMPONENTS, VIA HOLES AND TRACES TO AVOID HI-POT FAILURE




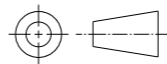
IT IS RECOMMENDED THAT TARTAN SHADING AREA OF CUSTOMER PC BOARD BE CLEAR OF ANY COMPONENTS

SUGGESTED PCB FOOTPRINT COMPONENT SIDE

C1 = 1000pF, 2KV DECOUPLING CAPACITOR
 R1 - R4 = 75 OHMS, 5% RESISTORS
 C2 - C5 = 22 nF, 100V DECOUPLING CAPACITOR

THIS DRAWING IS A CONTROLLED DOCUMENT, AND COMPLIANT TO ASME Y14.5M		DWN: TOWER YU / XENIA WANG CHK: BILL LIU APVD: TONY YUAN 19APR2017	trp CONNECTOR a bel group DONGGUAN CHINA	
DIMENSIONS: mm	TOLERANCES UNLESS OTHERWISE SPECIFIED:	MODEL NAME: MAGJACK SINGLE 4PPOE	DESC: IXI 7UG01ET GIGABIT 4PPoE 100W EXTENDED TEMPERATUR TAB UP, W/ LEDS	RESTRICTED TO: -
0 PLC ± 1 PLC ±0.25 2 PLC ±0.25 3 PLC ±0.25 4 PLC ± ANGLES ± APPLICATION SPEC	PRODUCT SPEC: -	SIZE: A2	DRAWING NO: C-2250506	SCALE: NTS
CUSTOMER DRAWING			SHEET 2 OF 3	REV 2

2250506_C						STOCK DISPOSITION			
						A:CONTINUE AS IS B:REWORK C:SCRAP		D:USE OLD FIRST E:PARTS TO CONFORM F:OTHER	
REVISION HISTORY									
DATE	REV	CHANGE	REASON	APPROVAL	INVENTORY (A,B,C,D,E,F)	WORK IN PROCESS (A,B,C,D)	SUPPLIER ORDERS (A,E,F)	OPEN CUST ORDERS (A,E,F)	
19APR2017	1	-	INITIAL RELEASE	TONY YUAN	-	-	-	-	
21APR2017	2	NOTE 2: CHANGE 14mA TO 8mA DC BIAS	PRODUCT IMPROVEMENNT	TONY YUAN	-	-	-	-	

THIS DRAWING IS A CONTROLLED DOCUMENT. AND COMPLIANT TO ASME Y14.5M		DWN TOWER YU / XENIA WANG 19APR2017	 trp CONNECTOR a bel group	DONGGUAN CHINA
DIMENSIONS: mm		CHK BILL LIU 19APR2017		
TOLERANCES UNLESS OTHERWISE SPECIFIED:		APVD TONY YUAN 19APR2017	DESC IXI 7UG01ET GIGABIT 4PPoE 100W EXTENDED TEMPERATUR TAB UP, W/ LEDS	
 0 PLC ± 1 PLC ±0.25 2 PLC ±0.25 3 PLC ±0.25 4 PLC ± ANGLES ± APPLICATION SPEC		MODEL NAME MAGJACK SINGLE 4PPOE	SIZE A2	DRAWING NO C-2250506
PRODUCT SPEC -		RESTRICTED TO -		
CUSTOMER DRAWING			SCALE NTS	SHEET 3 OF 3
			REV 2	