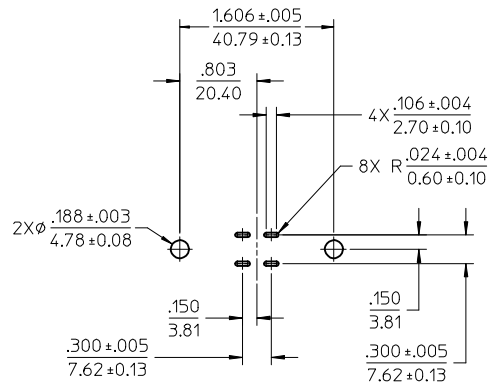
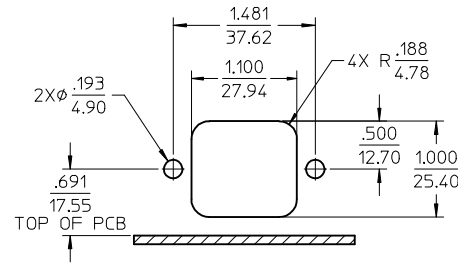


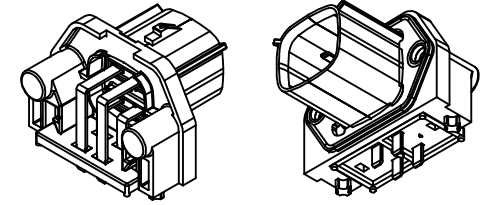
MATERIAL NUMBER	COLOR
194370029	BLACK
194370060	GREEN
194370061	GRAY



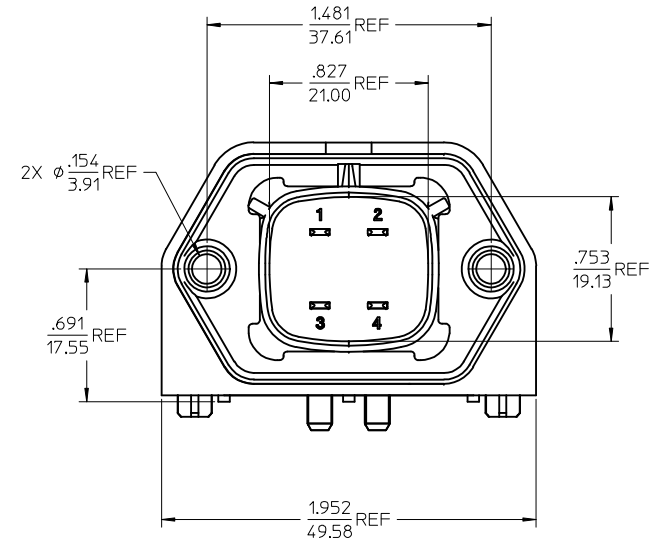
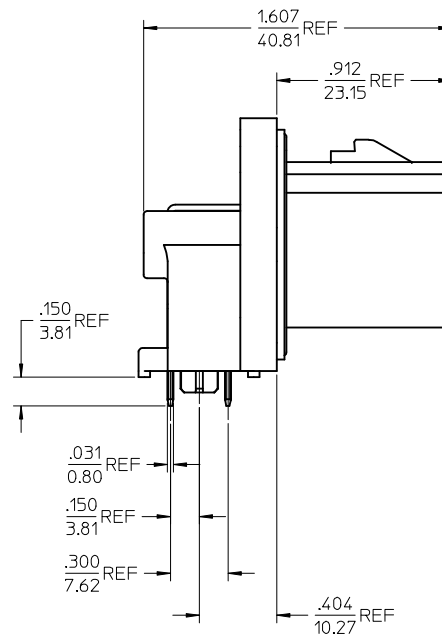
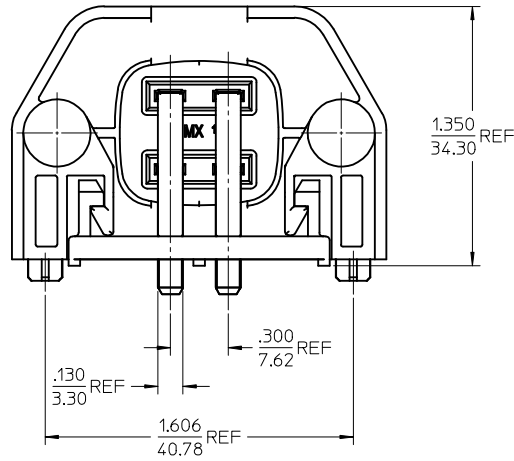
RECOMMENDED PCB LAYOUT  
COMPONENT SIDE  
TOLERANCES ARE NON-CUMULATIVE



RECOMMENDED PANEL MOUNT OPENING  
MAX. PANEL THK .093/2.362



ASSEMBLED VIEW  
SCALE 1:1



NOTES:

- MATERIALS:  
HOUSING: POLYESTER (PBT), GLASS FILLED, UL94 V-0, COLOR: AS NOTED  
TERMINALS: COPPER ALLOY
- TERMINAL FINISH: 100HM TIN OVER 504N NICKEL
- PRODUCT SPECIFICATION: PS-19432-001
- PACKAGING SPECIFICATION: PK-19437-001
- MATES WITH: 19432 SERIES RECEPTACLE ASSEMBLIES.
- RECOMMENDED MOUNTING HARDWARE: (2)#10 X .62/15.7 LONG PLASTIC THREAD CUTTING SCREWS, RECOMMENDED TORQUE 15-17 IN-LBS.  
SUGGESTED SOURCE: ITW SHAKEPROOF INDUSTRIAL BOSSCREW OR EQUIVALENT.
- ALL MATERIALS ARE ROHS COMPLIANT.

ADD CHART EC NO: IPG2017-0429 DRAWN: RUPERT CHKD: APPR: JF MURPHY	2016/11/07 2016/11/21	DESCRIPTION
---	--------------------------	-------------

QUALITY SYMBOLS	▽=0	▽=0
-----------------	-----	-----

GENERAL TOLERANCES (UNLESS SPECIFIED)	mm	INCH
4 PLACES	± .010	± .0004
3 PLACES	± .010	± .0004
2 PLACES	± 0.26	± .010
1 PLACE	± 0.5	± .020
ANGULAR ± 3 °		
DRAFT WHERE APPLICABLE MUST REMAIN WITHIN DIMENSIONS		

DIMENSION STYLE IN/MM	
DRAWN BY	DATE
CHECKED BY DTITUS	DATE 2009/10/16
APPROVED BY DTITUS	DATE 2009/10/27
MATERIAL NO. SEE CHART	
SIZE C	THIS DRAWING CONTAINS INFORMATION THAT IS PROPRIETARY TO MOLEX INCORPORATED AND SHOULD NOT BE USED WITHOUT WRITTEN PERMISSION

SCALE 1:1	DESIGN UNITS INCH	THIRD ANGLE PROJECTION
TITLE MX150L RA HDR ASSY 4 WAY, 12-10-8AWG WITH PANEL GASKET		
MOLEX MOLEX INCORPORATED		
DOCUMENT NO. SD-19437-020	SHEET NO. 1 OF 1	