

10/100BASE-T LAN MAGNETICS

Single Port Transformer Module

S558-5999-J1-F

- Meets all IEEE 802.3 standards including 350μH with 8mA bias
- Low profile, surface mount packaging rated to 225° C peak IR reflow temperature
- Small form factor for board layout efficiency
- Operating temperature 0° to 70° C
- Minimum interwinding breakdown voltage of 1500 Vrms

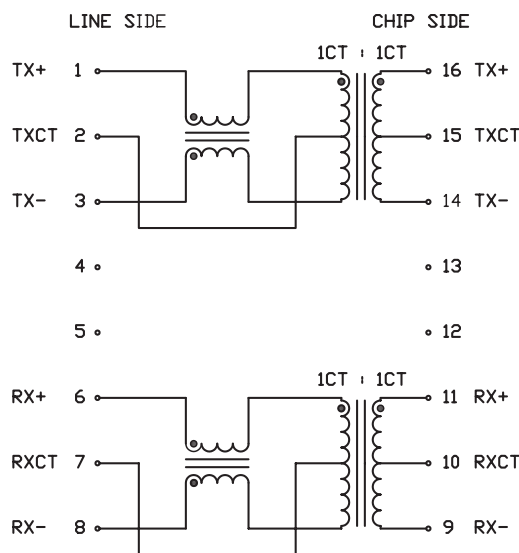
ELECTRICAL SPECIFICATIONS AT 25° C

Turns Ratio		Insertion Loss dB min	Return Loss				Common to Differential Mode Rejection dB min	Common to Common Mode Rejection dB min	Crosstalk			
TX	RX		100kHz to 100MHz	100kHz to 30MHz	30MHz to 60MHz	60MHz to 80MHz			100kHz to 100MHz	1MHz	30MHz	60MHz
1CT : 1CT	1CT : 1CT	-1.0	-16	16 - 20 log (1/30MHz)	-10	-40	-30	-65	-55	-45	-35	



SCHEMATIC

S558-5999-J1-F

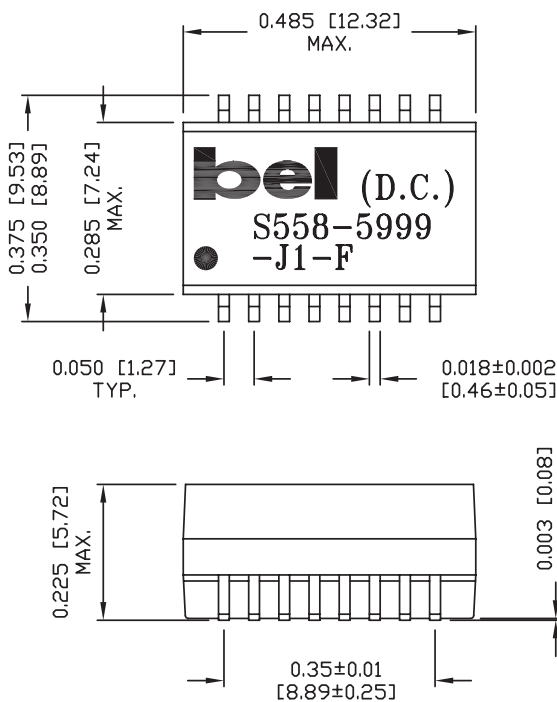


©2005 Bel Fuse Inc. Specifications subject to change without notice. 10.05

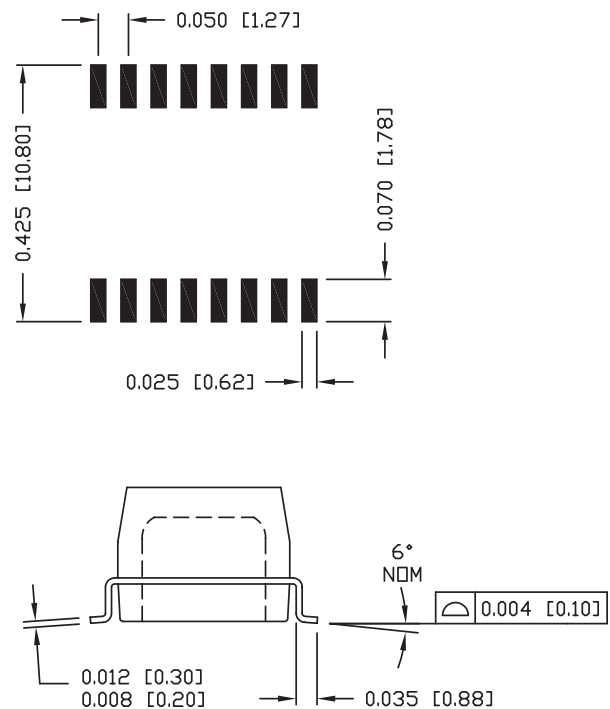
S558-5999-J1-F

MECHANICAL

S558-5999-J1-F



SUGGESTED PCB PAD LAYOUT



NOTES:

- STANDARD MARKING REFER TO DOC. HAND-WORK-04.
- PACKAGE CODE: 'QBS001'.

©2005 Bel Fuse Inc. Specifications subject to change without notice. 10.05

CORPORATE

Bel Fuse Inc.
 206 Van Vorst Street
 Jersey City, NJ 07302
 Tel 201-432-0463
 Fax 201-432-9542
 www.belfuse.com

FAR EAST

Bel Fuse Ltd.
 8F / 8 Luk Hop Street
 San Po Kong
 Kowloon, Hong Kong
 Tel 852-2328-5515
 Fax 852-2352-3706
 www.belfuse.com

EUROPE

Bel Fuse Europe Ltd.
 Preston Technology Management Centre
 Marsh Lane, Suite G7, Preston
 Lancashire, PR1 8UD, U.K.
 Tel 44-1772-556601
 Fax 44-1772-888366
 www.belfuse.com