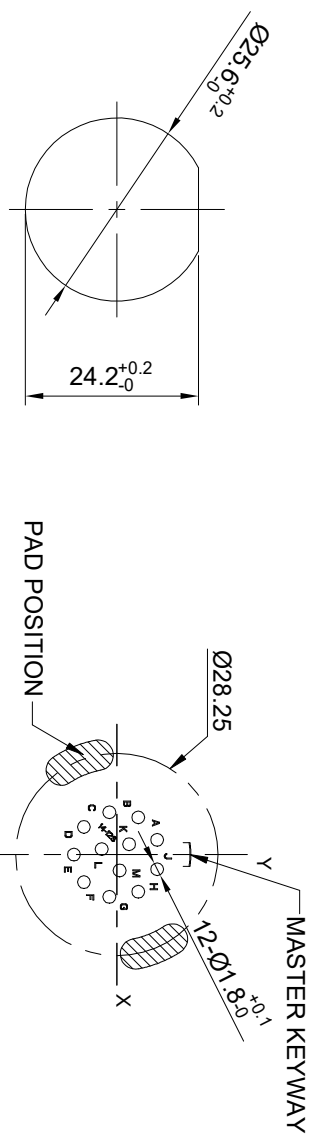
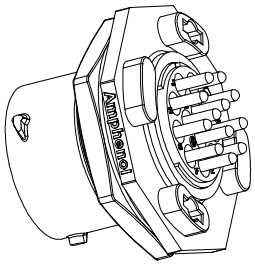
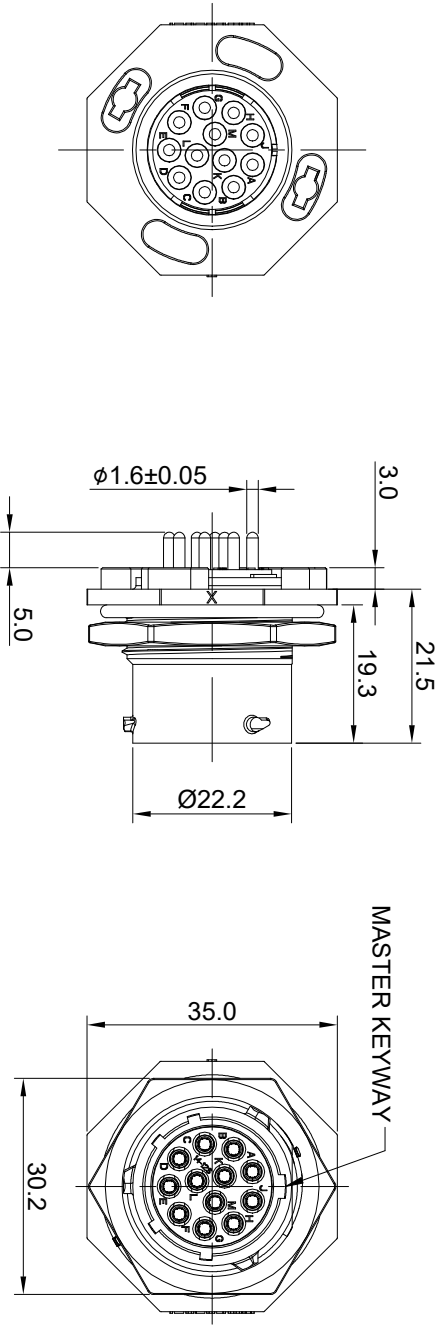


REVISIONS				
REV	ECO	DESCRIPTION	DATE	BY APPR
A1	-	FIRST RELEASED	Jul-31-2019	Ronald Tommy



Position number	X	Y
A	-2.052	5.638
B	-5.196	3.000
C	-5.909	-1.042
D	-3.857	-4.596
E	0.000	-6.000
F	3.857	-4.596
G	5.909	-1.042
H	5.196	3.000
J	2.052	5.638
K	-1.446	1.724
L	-0.789	-2.114
M	2.215	0.391

RECOMMEND MOUNTING HOLE

RECOMMEND PCB LAYOUT

- NOTES: (UNLESS OTHERWISE SPECIFIED)
- MATERIAL:
 - SHELL: THERMOPLASTIC, UL94 V-0.
 - INSERT: THERMOPLASTIC, UL94 V-0.
 - O-RING: SILICONE RUBBER.
 - SEAL GASKET: SILICONE RUBBER.
 - JAM NUT: ALUMINIUM ALLOY, BLACK ANODIZING.
 - CONTACT: COPPER ALLOY, GOLD PLATED.
 - SPECIFICATIONS:
 - 2.1, RATED CURRENT: 13A (MAX).
 - 2.2, RATED VOLTAGE: 500V(AC/DC).
 - 2.3, OPERATING TEMPERATURE: -40°C ~ 125°C.
 - 2.4, DIELECTRIC WITHSTANDING VOLTAGE: LESS THAN 2 MILLIAMPS CURRENT LEAKAGE@2000 VOLTS AC.
 - 2.5, INSULATION RESISTANCE: 5000 MEGOHMS MIN.
 - 2.6, IP-CLASS: IP67 AND IP69K IN THE MATED CONDITION, PANEL EXTERNAL.
 - 2.7, MATING CYCLES DURABILITY: 500 CYCLES MIN.
 - 2.8, ROHS COMPLIANT.
 - SUITABLE CONTACTS: 16# CONTACT.
 - ALL DIMENSIONS ARE FOR REFERENCE USE ONLY.

KEY	PART NUMBER
N	RTS714ND12S03
W	RTS714WD12S03
X	RTS714XD12S03
Y	RTS714YD12S03
Z	RTS714ZD12S03

QUANTITY	PART NUMBER	DESCRIPTION	ITEM
		MATERIALS LIST	
		Amphenol	
		Site Systems - www.amphenol-site.com 44724 Moley Drive Chilton Township, MI 48036	
		UNLESS OTHERWISE SPECIFIED 1) All dimensions are in millimeters. 2) Tolerances are as follows: 2 Pl. DEC 20.15 3 Pl. DEC 20.08 3) Note reference = Δ	
		DESIGN: Ronald CHECKED: Matt ENGINEER: Tommy APPROVAL: JJ-31-2019	
		DATE: JJ-31-2019 DATE: JJ-31-2019 DATE: JJ-31-2019	
		PROCESS SPECIFICATIONS: NEXT ASSY:	
		MATERIAL SPECIFICATIONS: CUSTOMER: JJ-31-2019	
		ECO-MATE RECEPTACLE, JAM NUT, 12POS, SOCKET CONTACT, DIP SOLDER, SIZE 14	
		SIZE: B C- TYPE: NONE DRAWING NO: RTS714*D12S03 SCALE: NONE	
		REGION: A1	
		SHEET 1 OF 1	