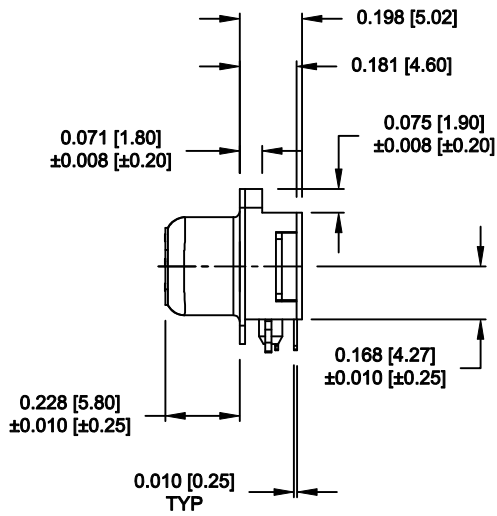
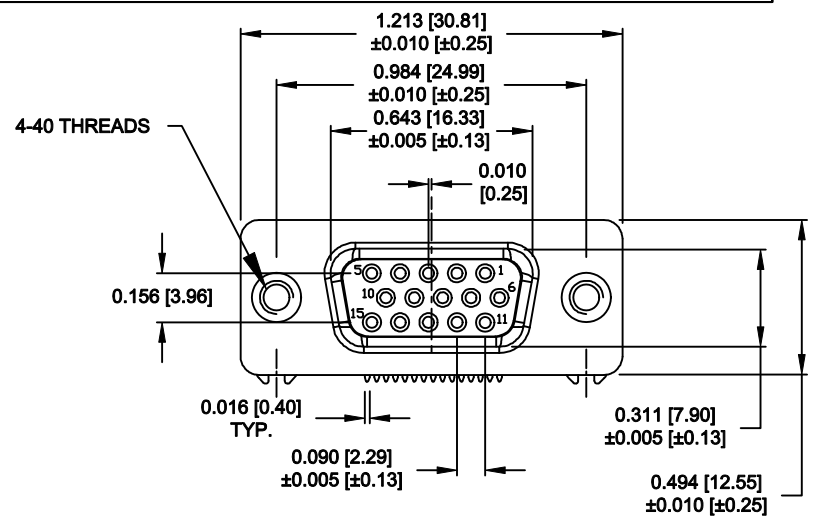


DESCRIPTION: 15 POS - HIGH DENSITY - FEMALE - SLIM - RIGHT ANGLE

MATERIAL/FINISH:

UNITS = INCHES [MM]

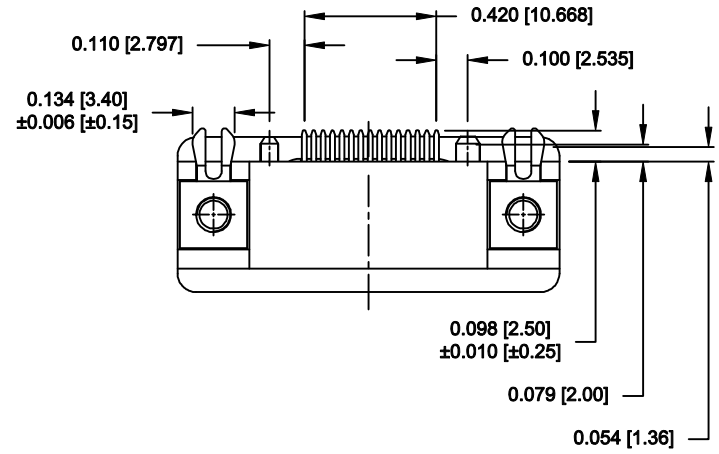
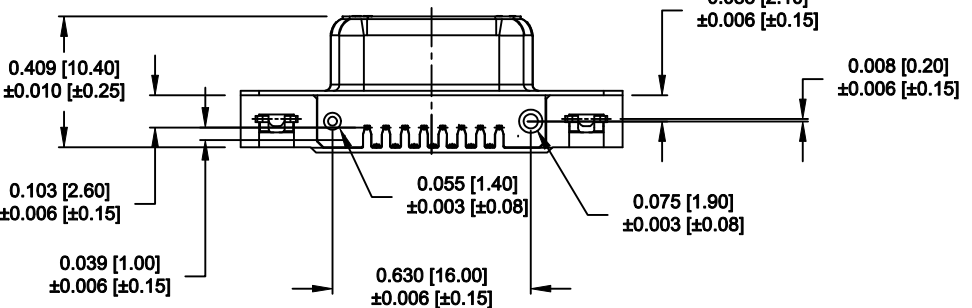


SHELL: SPCC, NICKEL PLATED
 BRACKET: BRASS, NICKEL PLATED
 INSULATOR: PBT OR PA9T, UL 94V-0, BLACK,
 PROCESS TEMP: 230°C for 3 seconds (PBT), 2 CYCLES
 260°C for 5 seconds (PA9T), 2 CYCLES
 CONTACT: BRASS, TIN PLATED
 30u" GOLD PLATED - MATING AREA
 BRIGHT TIN - TERMINATING AREA
 BOARDLOCK: COPPER ALLOY, TIN PLATED
 RIVET: COPPER ALLOY, NICKEL PLATED

ELECTRICAL:

RATED CURRENT: 3 AMPS
 RATED VOLTAGE: 250 VAC (rms) MAX.
 WITHSTANDING VOLTAGE: 500 VAC (rms) FOR 1 Min.
 INSULATION RESISTANCE: 1,000 MOhms MIN.
 CONTACT RESISTANCE: 25 mOhms Max.
 OPERATING TEMPERATURE: -55° ~ +85° C

TOTAL MATING FORCE: 6.0 Kgf MAX.
 TOTAL UNMATING FORCE: 1.2 Kgf MIN.



200-015-2 1 3LYYY Y

SERIES
 No. of POSITIONS
 GENDER
 2 = FEMALE
 TERMINATION
 1 = PC MOUNT
 SHELL PLATING
 3 = NICKEL
 INSULATOR MATERIAL
 L = PBT
 R = PA9T
 HARDWARE OPTIONS
 SEE PAGE 2
 PLATING OPTIONS
 7 = GOLD FLASH (MATING AREA)
 BRIGHT TIN (SOLDER TAILS)
 9 = 30u" GOLD (MATING AREA)
 BRIGHT TIN (SOLDER TAILS)

DO NOT SCALE FROM DRAWING

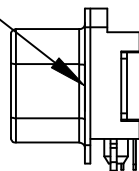
RoHS COMPLIANT

	THESE DRAWINGS AND SPECIFICATIONS ARE THE PROPERTY OF NorComp AND SHALL NOT BE REPRODUCED, COPIED OR USED AS THE BASIS FOR THE MANUFACTURE OR SALE OF APPARATUS WITHOUT WRITTEN PERMISSION.		DRAWN: M. SIGMON	DATE: 10-26-16
			CHECKED:	DATE:
NorComp	SCALE: 1.5 : 1	SHEET 1	OF 2	REV 1
	DWG NO. 200-015-213LYYY			

HARDWARE OPTIONS

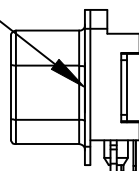
Ø0.120 [Ø3.05]
HOLE IN FLANGE

00 OPTION



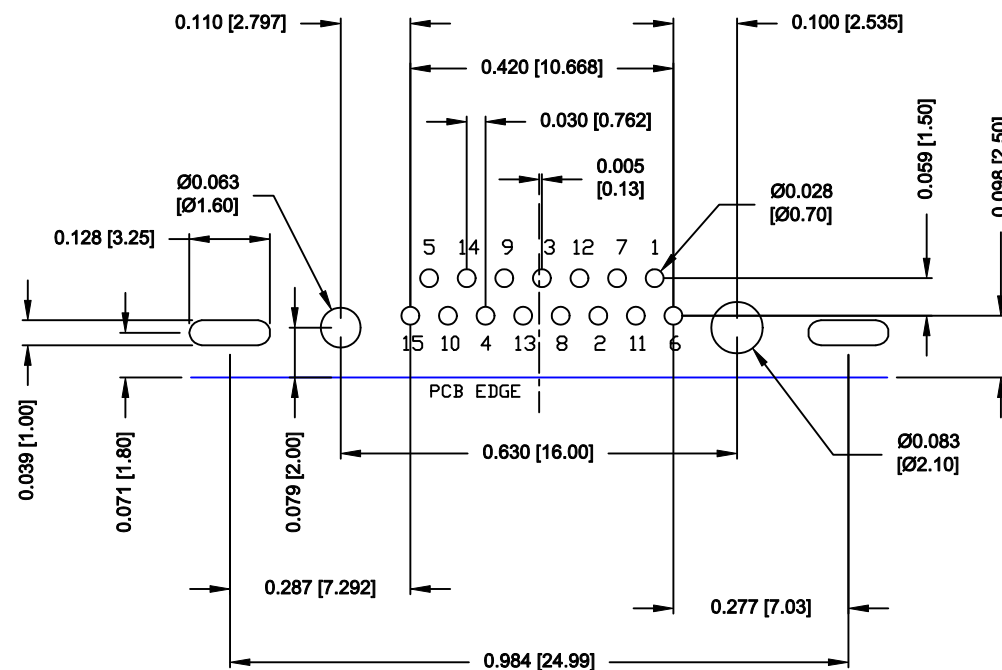
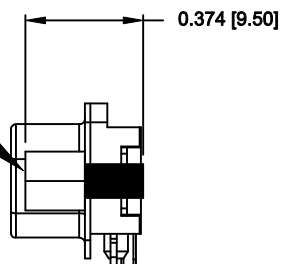
4-40 THREADED HOLE

53 OPTION



4-40 SCREWLOCK
(0.189 [4.80] x 0.374 [9.50])

56 OPTION



P.C.B. LAYOUT

TOLERANCE = ±0.002 [±0.05]
SCALE = 3 : 1

DO NOT SCALE FROM DRAWING



THESE DRAWINGS AND SPECIFICATIONS ARE THE PROPERTY OF NorComp AND SHALL NOT BE REPRODUCED, COPIED OR USED AS THE BASIS FOR THE MANUFACTURE OR SALE OF APPARATUS WITHOUT WRITTEN PERMISSION.

DRAWN:
M. SIGMON

DATE:
10-26-16

CHECKED:

DATE:

NorComp

SCALE: **2 : 1** SHEET **2** OF **2** REV **1**

DWG NO. **200-015-213LYYY**

RoHS COMPLIANT