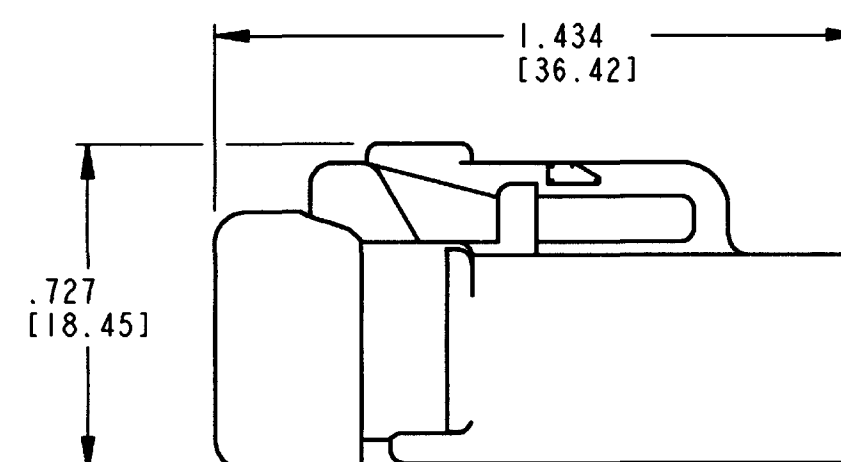
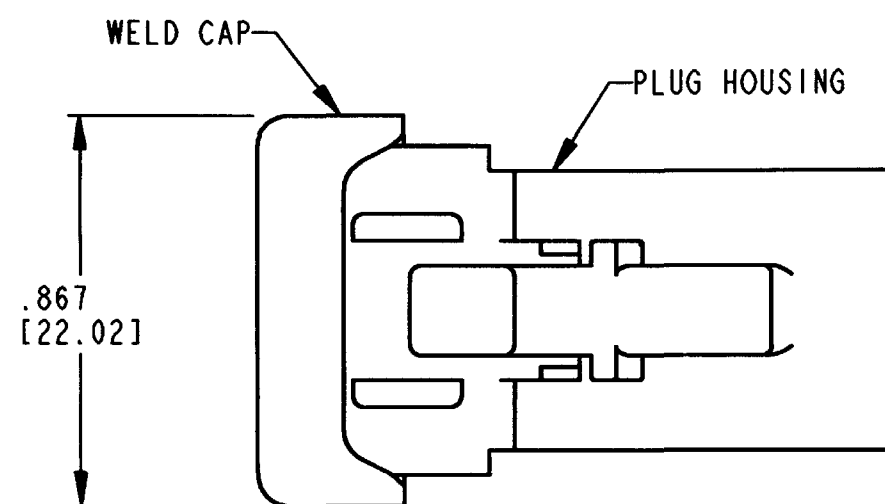
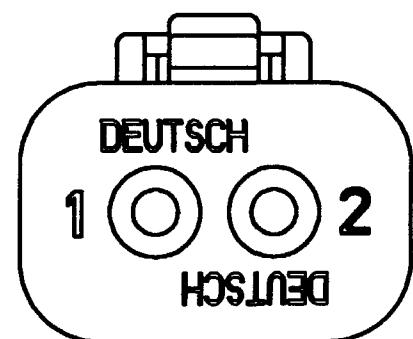
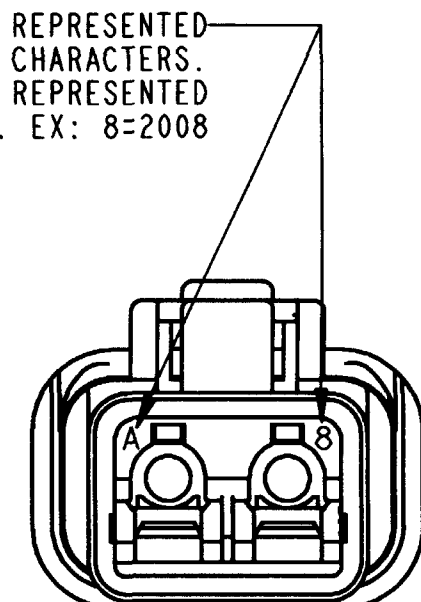


3D VIEW



REV A	DTP06-2S-E003	REVISIONS		
SYM	DESCRIPTION	DATE	APPROVED	
NC	NEW RELEASE PER E.O. P16322	09/27/99	R.D.R.	
A	REVISED PER E.O. P17085	1-12-01	RDR	

DATE CODE: MONTH IS REPRESENTED BY SEQUENTIAL ALPHA CHARACTERS. EX: A=JANUARY; YEAR IS REPRESENTED BY LAST NUMERICAL DIGIT. EX: 8=2008



6. MATERIAL: HOUSING: PLASTIC; GROMMET: RUBBER
 5. THIS PLUG MATES WITH DTP04-2P-**** RECEPTACLE. (**** = ALL MODIFICATIONS)
 4. FOR CONTACT AND WIRE PERFORMANCE AND APPLICATION CHARACTERISTICS SEE ENVELOPE DRAWING 0425-015-0000.
 3. SECONDARY WEDGE LOCK SOLD SEPARATELY, WP-2S.
 2. DIMENSION TOLERANCE: $\pm .025$ [.64].
 1. DIMENSIONS ARE IN INCHES [mm].
- NOTES: UNLESS OTHERWISE SPECIFIED

CONTACT SIZE	MIN. INSUL. O.D.	MAX. INSUL. O.D.	WIRE RANGE [mm ²] REF ONLY
12	.134 [3.40]	.170 [4.32]	12-14 AWG [3.0-2.0]

SIGNATURE & DATE	
DR	S. THEIS 9/22/99
CHK	<i>[Signature]</i> JAN-19-01
PE	<i>[Signature]</i> 1/9/01
APPD	<i>[Signature]</i> 1/9/01
SCALE	NONE

PLUG W/ CAP
2 CONTACTS, SIZE 12
COLOR: GREY
-E003 MOD
DTP SERIES

ENVELOPE

CP	MATL. CODE
The Deutsch Company DEUTSCH I.P.D. 3850 INDUSTRIAL AVE. HEMET, CALIF. 92545	
B	DTP06-2S-E003
DWG SIZE	CODE 11139 SHEET 1 OF 1