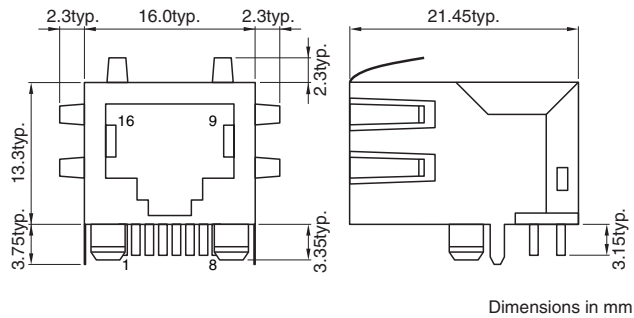


## TLA-6T704 10/100BASE-TX

### FEATURES

- Lead free product.
- Pulse transformer, common mode choke, resistor and high voltage capacitor are integrated into RJ-45 modular jack.
- Excellent common mode noise suppression.
- The inductance is 350 $\mu$ H(100kHz) or greater at a DC bias of 8mA.

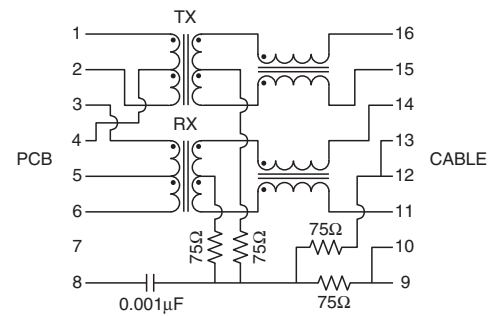
### SHAPES AND DIMENSIONS



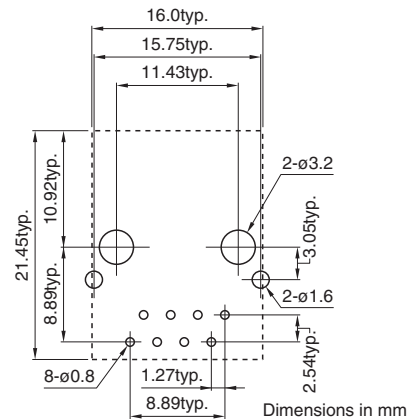
### GENERAL SPECIFICATIONS

Pulse transformer	2	
Common-mode choke	2	
Port	1	
Temperature ranges	Operating	0 to +70°C
	Storage	-40 to +85°C
Withstanding voltage	Erms:1500V[60s]	

### CIRCUIT DIAGRAM



### RECOMMENDED PC BOARD PATTERN



### ELECTRICAL CHARACTERISTICS

Part No.	Turns ratio	Inductance ( $\mu$ H)min. [DC bias 8mA, 100kHz]	Insertion loss (dB)max. [0.1 to 100MHz]
	1,4,2 : 16,15 3,5,6: 14,11	16-15 14-11	1,2-16,15 14,11-3,6
TLA-6T704	1CT:1	350	1
	1CT:1	350	1

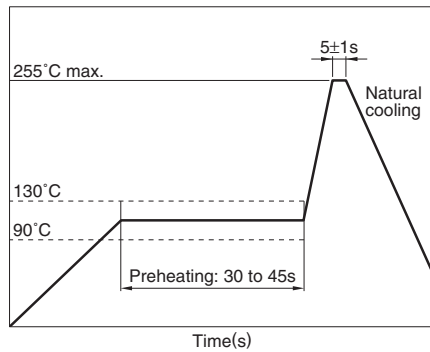
- Ta=25°C

## PACKAGING STYLES

Magazine : 24 pieces/stick

## RECOMMENDED SOLDERING CONDITION

### FLOW SOLDERING



Preheating: 90 to 130°C for 30 to 45 seconds.

Soldering: 255°C max. 5±1 seconds

- Perform flow soldering from the underside of the board.
- The surface of plastic protrusions inserted into the board may melt, but this causes no problems with regard to electrical properties or mounting.
- The cutted end of terminal has no plating(out of subject of solder ability).

### RECOMMENDED CONDITION FOR LONG TERM STORE

Recommended shelf life is 1year in atmosphere of +5 to +30°C and below 60(%)R.H.