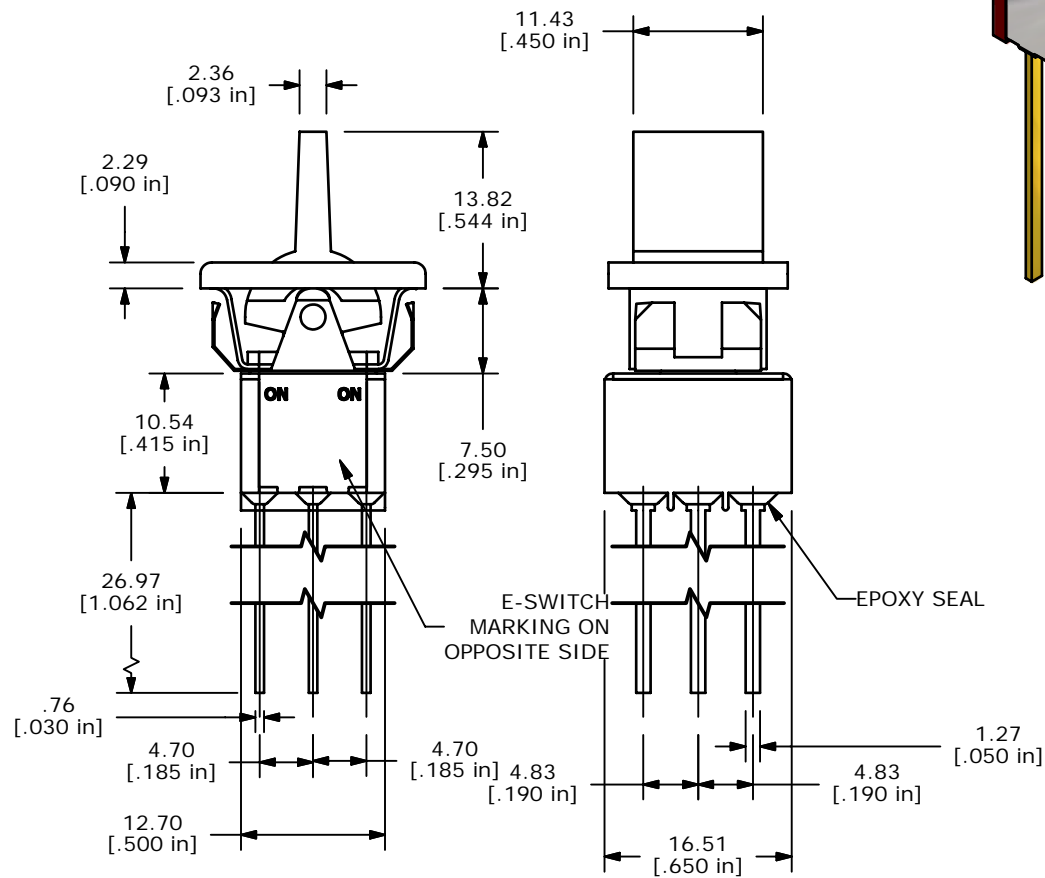
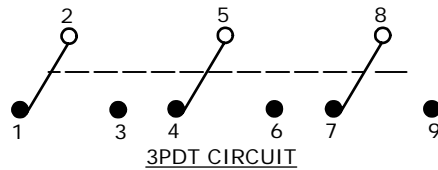


ISOMETRIC

SWITCH FUNCTION		
POS. 1	POS. 2	POS. 3
ON	NONE	ON
2-3,5-6,8-9	N/A	2-1,5-4,8-7



- NOTE:
1. ALL DIMENSIONS IN MM [INCH]
  2. GENERAL TOLERANCE: X.X=±0.4  
X.XX=±0.25
  3. TERMINAL NUMBERS FOR REF ONLY
  4. PLATING MATERIAL: GOLD
  - ▲ 5. RATING: 0.4VA@20VAC OR DC
  6. ELECTRIC LIFE: 40,000 MAKE-AND-BREAK CYCLES AT FULL LOAD.
  7. INSULATION RESISTANCE: 1,000 MEGA-OHM MIN.
  8. CONTACT RESISTANCE: 100mA
  9. DIELECTRIC STRENGTH: 1,000 V RMS @SEA LEVEL.
  10. OPERATING TEMP.: -30°C to 85°C
  11. 2002/95/EC (ROHS) COMPLIANT
  12. ▲ DENOTES CRITICAL PARAMETER.

**E-SWITCH®**

TITLE 3003P1R7BLKM54REBLK

A	15447	RELEASED FOR PRODUCTION	10/26/05	PH
REV	PCR NO	DESCRIPTION	DATE	BY

SCALE	DATE	DR	DWG	REV
2:1	10/26/2005	PH	T331030	A

THE INFORMATION CONTAINED IN THIS DOCUMENT IS PROPRIETARY TO E-SWITCH AND IS NOT TO BE COPIED OR TRANSFERRED