

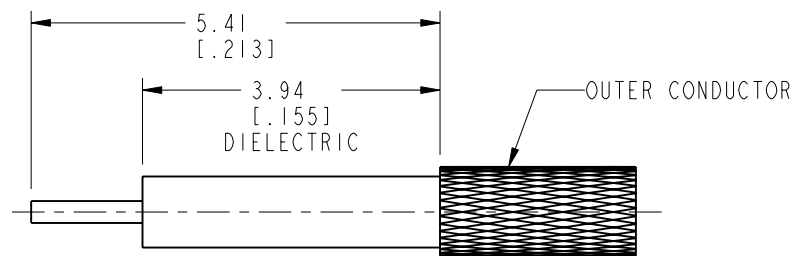
NOTES:

1. MATERIALS AND FINISHES:
 BODIES - BRASS, GOLD PLATING
 CONTACT - BRASS, GOLD PLATING
 SPRING RING - BERYLLIUM COPPER, GOLD PLATING
 INSULATOR - PTFE
2. ELECTRICAL:
 A. IMPEDANCE: 50 OHM
 B. FREQUENCY RANGE: DC - 6 GHz
 D. DIELECTRIC WITHSTANDING VOLTAGE: 500 VRMS, MIN.
3. MECHANICAL:
 A. DURABILITY: 500 CYCLES MIN.
 B. TEMPERATURE RANGE: -65° C TO +165° C
4. PACKAGING:
 A. QUANTITY: SINGLE PACK
 B. MARKING: BAG TO BE MARKED
 "AMPHENOL RF, 908-41600, AND DATE CODE"
5. FOR CABLE STRIPPING AND ASSEMBLY INSTRUCTIONS, SEE 349-50627, SHT 2.

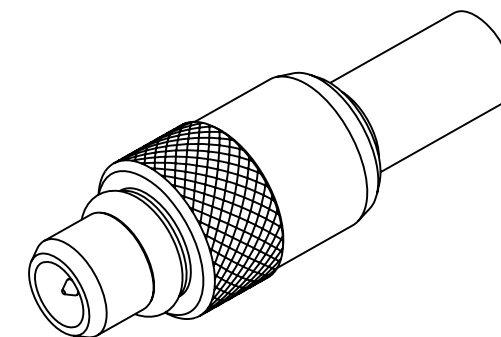
THIRD ANGLE PROJ.

REVISIONS

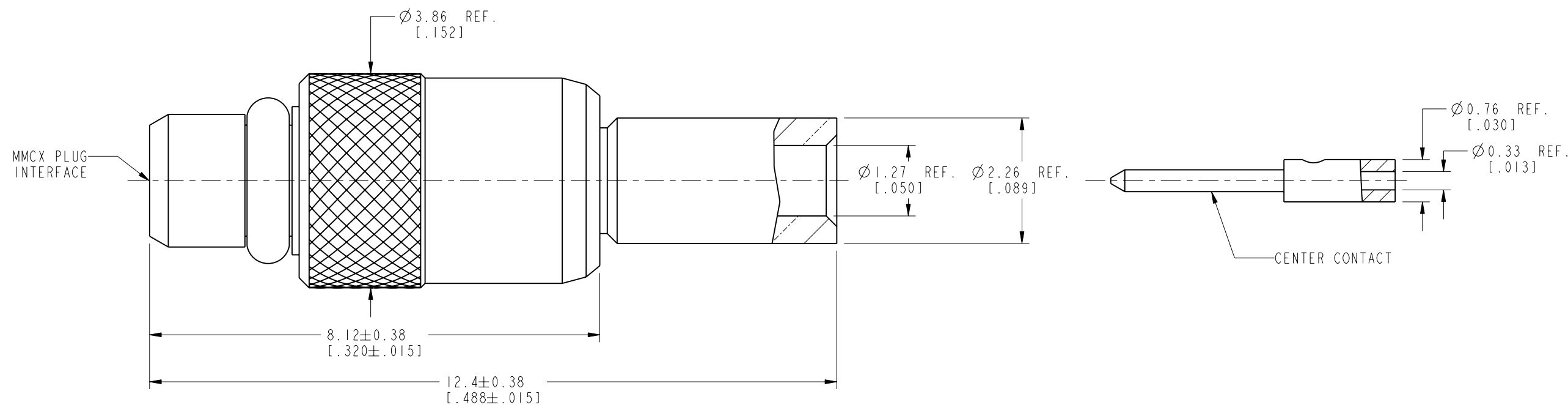
REV	DESCRIPTION	DATE	ECO	APPR
A	RELEASE TO MFG.	11/7/96	41601	BCG
B	SEE SHEET 1	4/27/00	43271	CPM
C	SEE SHEET 1	19-Dec-12	49352	RM
D	DIELECTRIC CABLE STRIP LENGTH WAS 3.56 MM	03-Apr-15	50433	RM
E	Ø3.86 REF WAS Ø4.06 REF	10-Nov-16	2341	RM



RECOMMENDED CABLE STRIPPING DIMENSIONS



SCALE 6.000



CUSTOMER OUTLINE DRAWING

ALL OTHER SHEETS ARE FOR INTERNAL USE ONLY

UNLESS OTHERWISE SPECIFIED, DIMENSIONS ARE IN METRIC AND TOLERANCES ARE: <0.5mm ±0.05mm 0.5 - 6mm ±0.1mm 6 - 30mm ±0.2mm 30 - 120mm ±0.3mm ANGLES ±1°	MATERIAL	DRAWN	DATE	TITLE MMCX PLUG 0.047 S/R CABLE		Amphenol RF www.amphenolrf.com	
	SEE NOTES	R. MAO	10-Nov-16				
NOTICE - These drawings, specifications, or other data (1) are, and remain the property of Amphenol corp. (2) must be returned upon request; and (3) are confidential and not to be disclosed to any person other than those to whom they are given by Amphenol Corp. the furnishing of these drawings, specifications, or other data by Amphenol Corp., or to any other person to anyone for any purpose is not to be regarded by implication or otherwise in any manner licensing, granting rights to permitting such holder or any other person to manufacture, use or sell any product, process or design, patented or otherwise, that may in any way be related to or disclosed by said drawings, specifications, or other data.	REFERENCE	ENGINEER	DATE	SCALE: 12.0:1.0 SHEET 2 OF 2		DRAWING NO. 908-41600 ITEM NO. 908-41600 PART NO. 908-41600	
	EAR # 964688-0	B. BLEISSNER	11-Oct-96				
	CONFIGURATION LEVEL: In Work	APPROVED	DATE		DWG SIZE	REV	
FINISH	S. HSIEH	10-Nov-16		B	E		