

MATERIALS:

Shell: Brass, Chrome plated
 Insert: PPS, UL-94V-0 rated
 Contacts: Brass, Gold plated

MECHANICAL SPECIFICATIONS:

Coupling type: Push - Pull
 Contact termination: Solder
 Mating cycles: >500

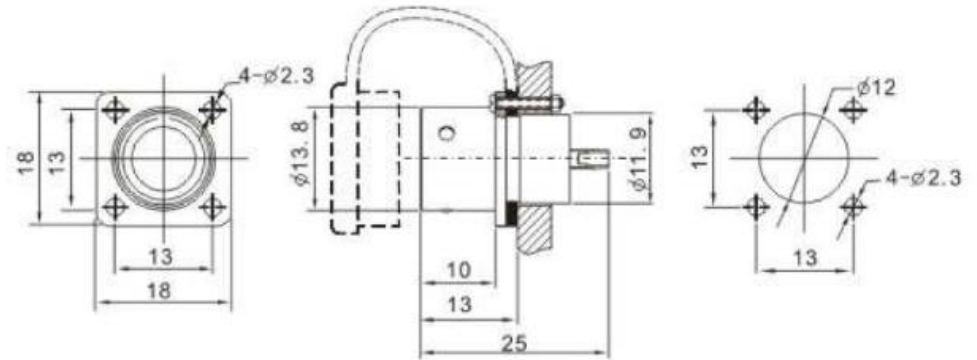
ENVIRONMENTAL SPECIFICATIONS:

IP rating: IP67
 Temperature range: -40°C ~ +85°C



ORDERING CODE:
 PD-SF1213-PX

Number of contacts (from chart)



Number of contact	2	3	4	5	6	7	9
Male contact face view							
Rated current (A)	13A	13A	5A	5A	5A	5A	3A
Contact diameter	∅ 1.6X2	∅ 1.6X3	∅ 1X4	∅ 1X5	∅ 1X6	∅ 1X7	∅ 0.7X9
Rated voltage (AC.V)	250V	250V	200V	180V	125V	125V	125V
Test voltage(AC.V) 1 min	1500V	1500V	1500V	1000V	1000V	1000V	1000V
Contact resistance mΩ	2	2	5	5	5	5	10
Wire size mm ² /AWG	≤2/14	≤2/14	≤0.785/18	≤0.785/18	≤0.785/18	≤0.785/18	≤0.785/18

TOLERANCE UNLESS OTHERWISE SPECIFIED

X ± 1
 X.X ± 0.4
 X.XX ± 0.13

Power Dynamics, Inc.
 Phone: 973 560-0019 Whippany, New Jersey Fax: 973 560-0076
PART: METAL IP67 WATERPROOF MALE FLANGE MOUNT
 PUSH - PULL TYPE; 2 - 9 CONTACTS; SOLDER TERMINATION

DRAWN BY: PB	DATE: 1/8/18
CHECK BY:	DATE:
APPR BY:	DATE:

PD-SF1213-PX		SHEET 1 of 1
PART #:	SIZE: A	ALL DIMENSIONS FOR REFERENCE ONLY
SCALE: NTS	DIMENSIONS ARE IN MILLIMETERS	
REV:		

REVISIONS	CHNG	CHK	APPR
REV	DATE	CHANGE	