

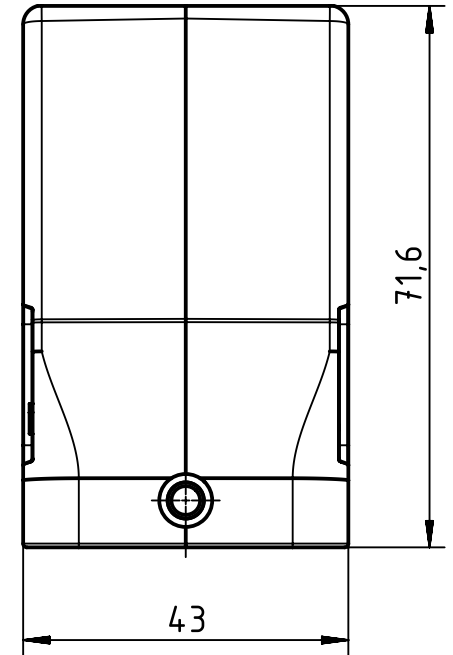
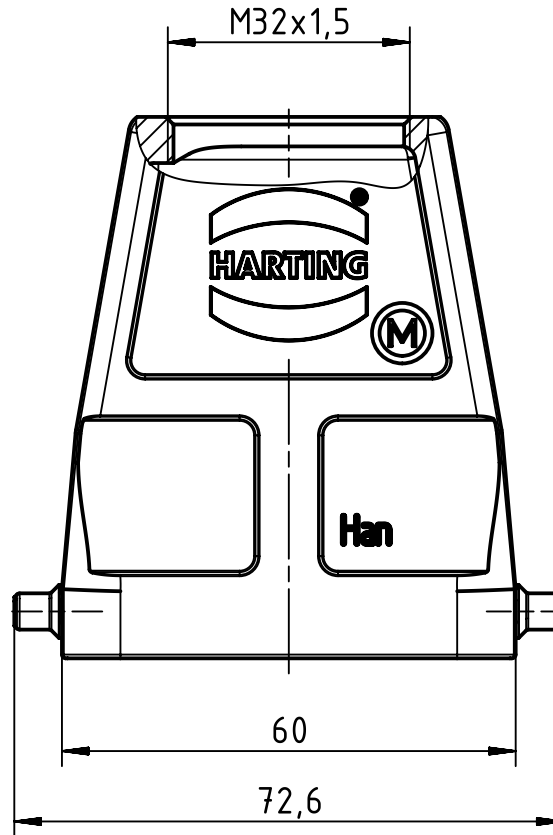
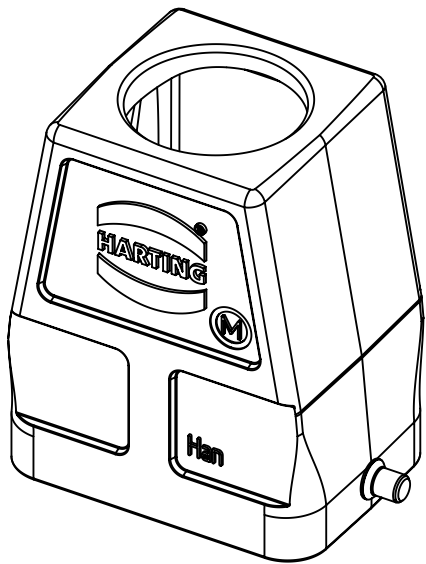
1 2 3 4 5 6

A

B

C

D



	All Dimensions in mm Original Size DIN A4		Scale 1:1	Free size tol.		Ref.	
						Sub.	
	All rights reserved		Created by RULLKOETTER	Inspected by BERGHORN	Standardisation TIEMANNA	Date 2013-09-17	State Final Release
	Department EL PD - DE		Title Han EMC/B 6 Hood Top Entry M32			Doc-Key / ECM-Nr. 10009214.0/UGD/005/A 500000066417	
HARTING Electric GmbH & Co. KG D-32339 Espelkamp			Type TB	Number 19 62 806 0447		Rev. A	Page 1/1