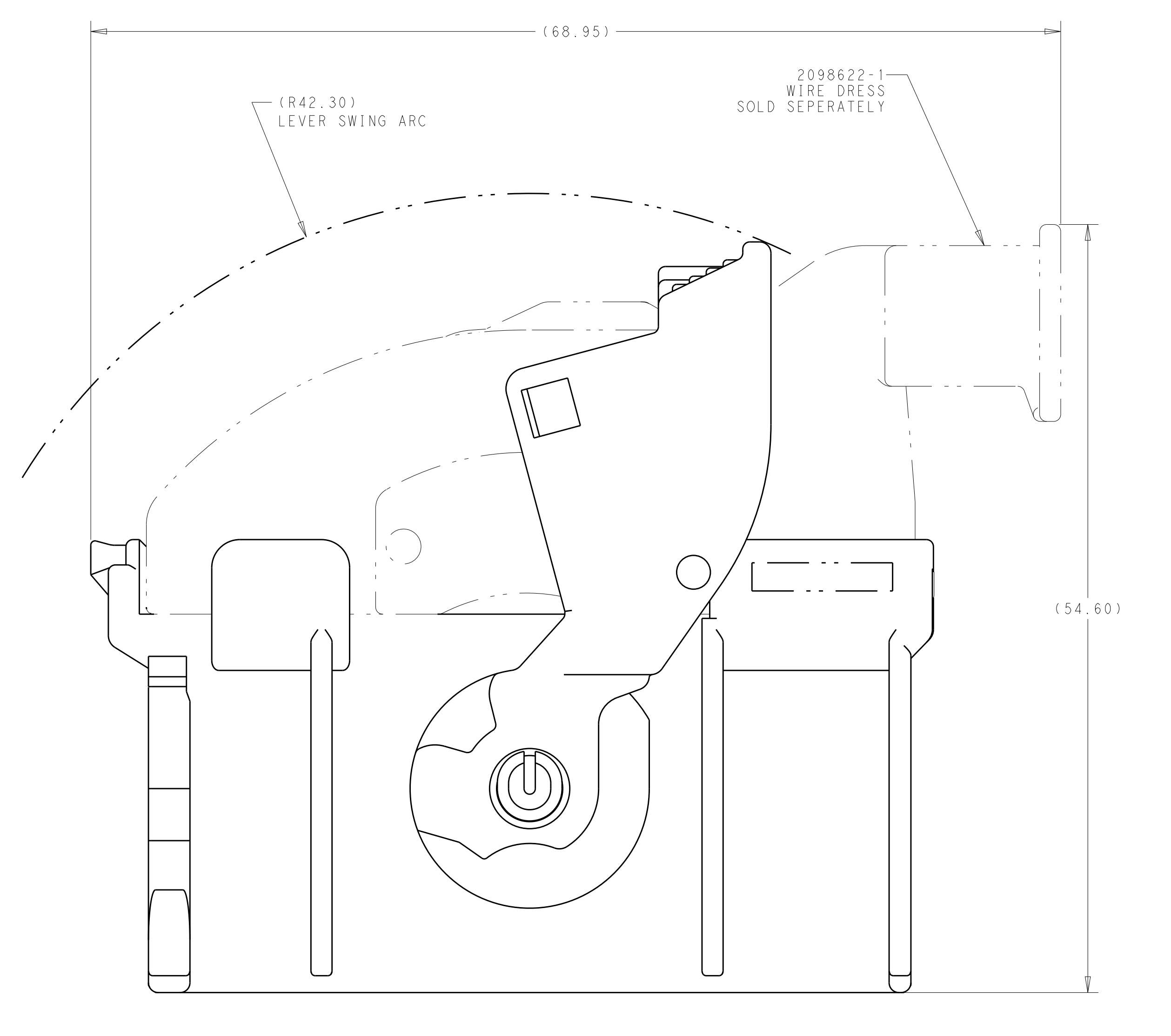
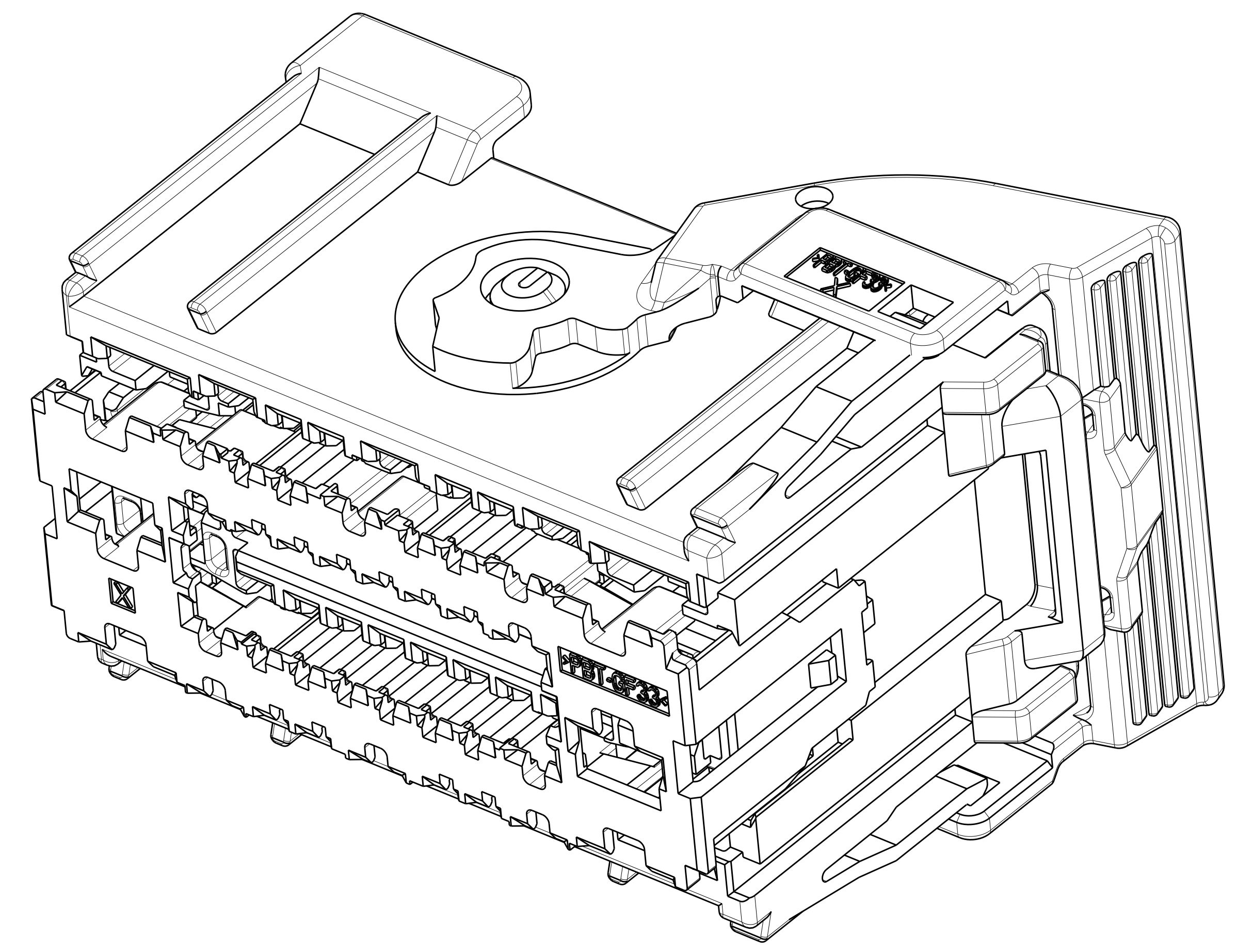
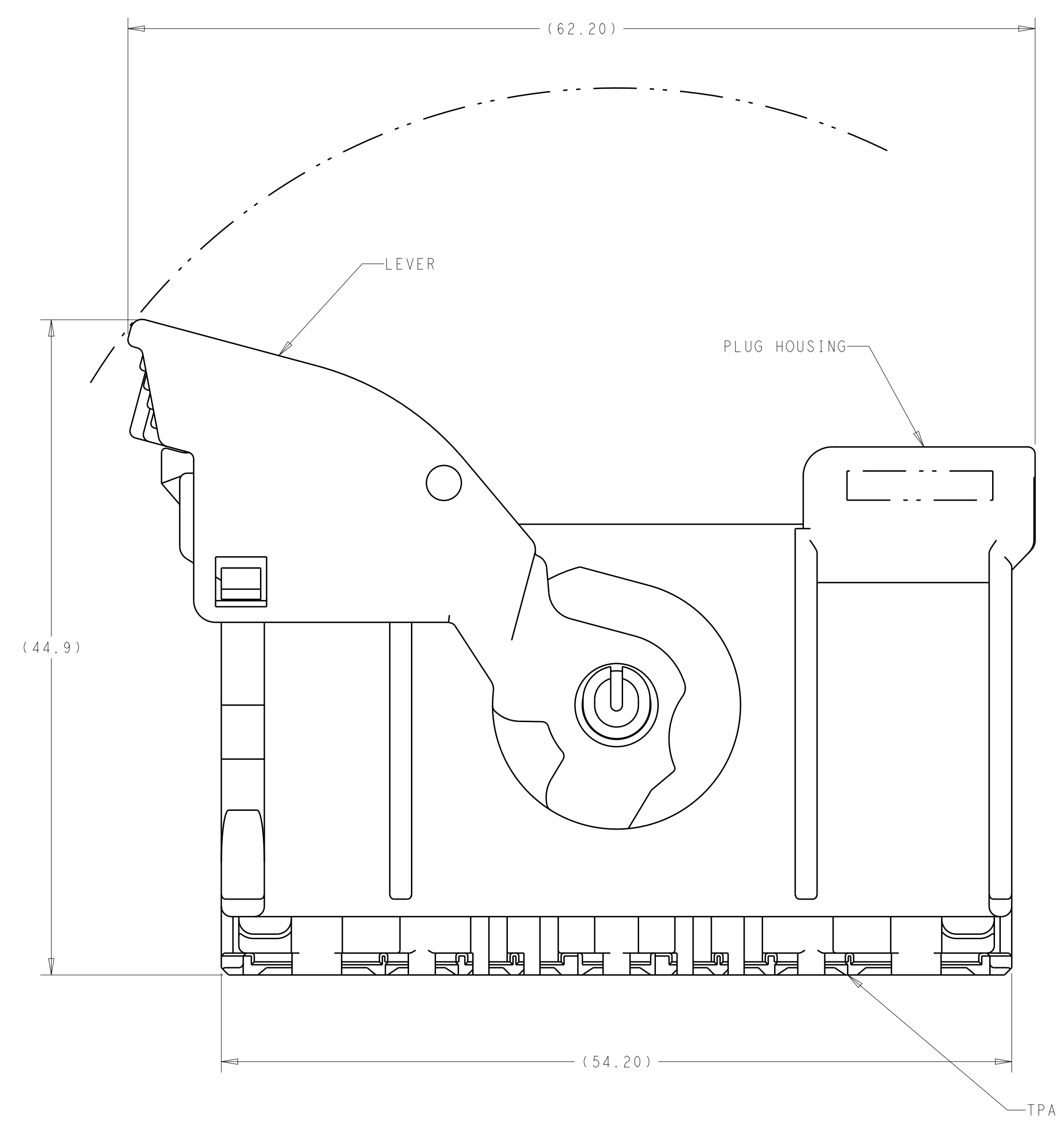


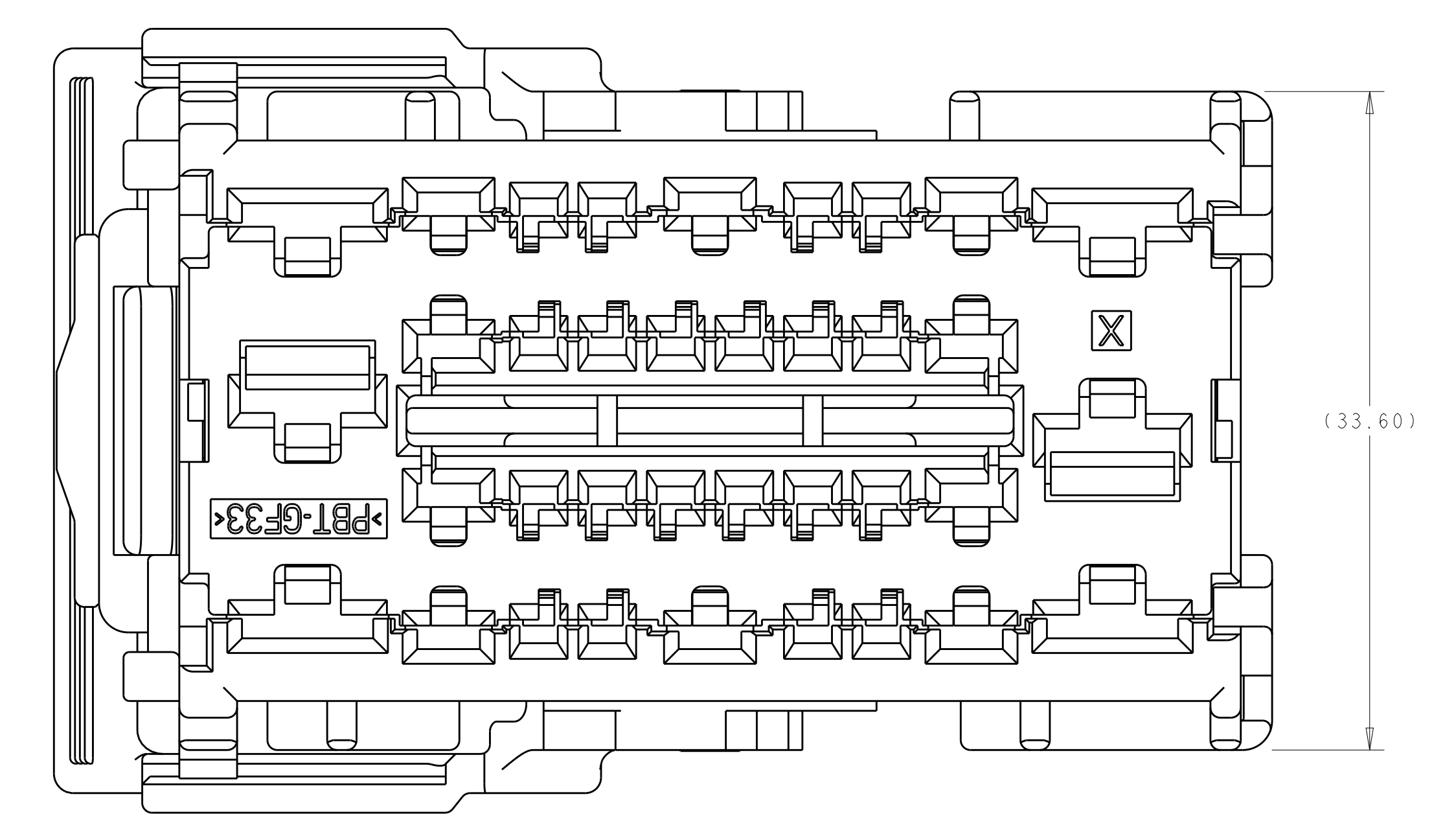
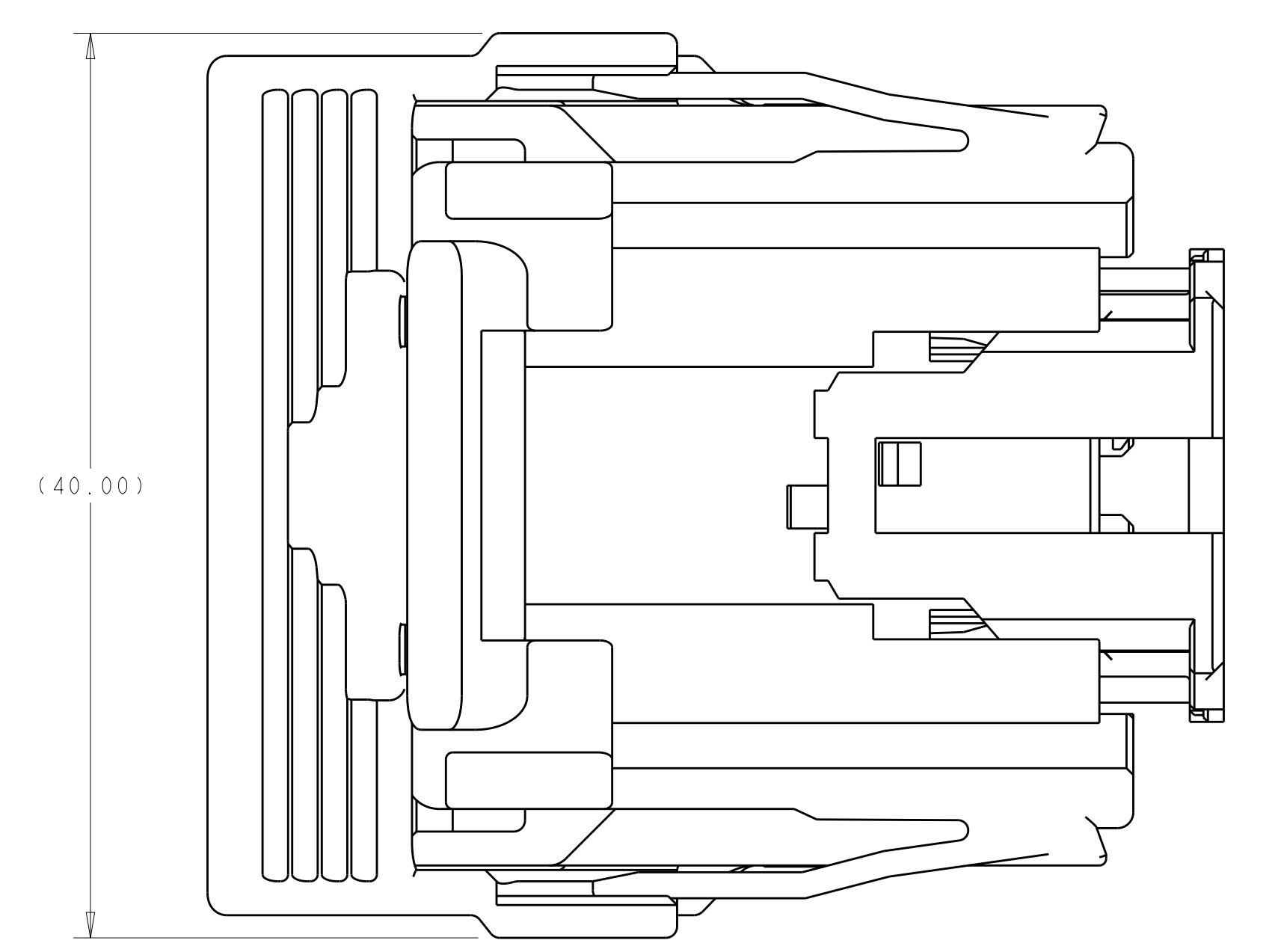
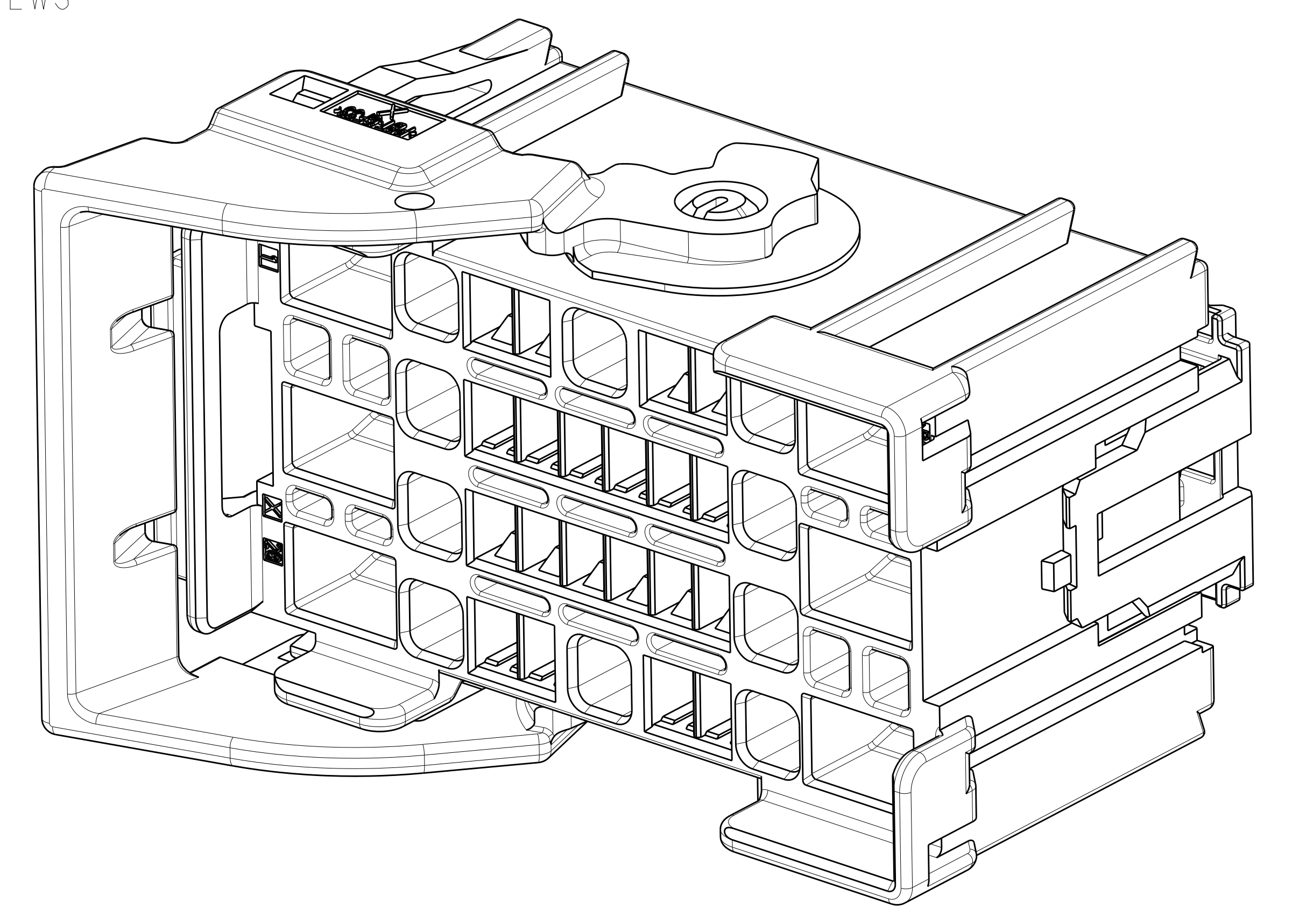
REVISIONS				
REV	DATE	BY	APP'D	DESCRIPTION
A2	28/JUL/2014	DD	GR	REVISED PER ECO-16-010929



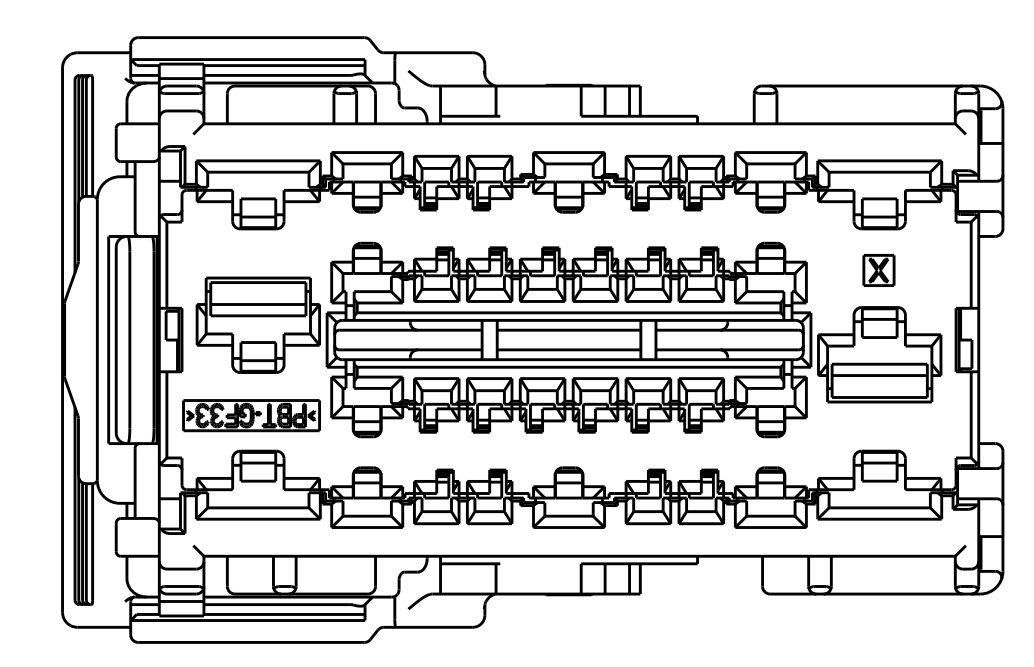
2138731-1
LEVER AND TPA IN ASSEMBLED POSITION,
WITH WIRE DRESS SOLD SEPARATELY



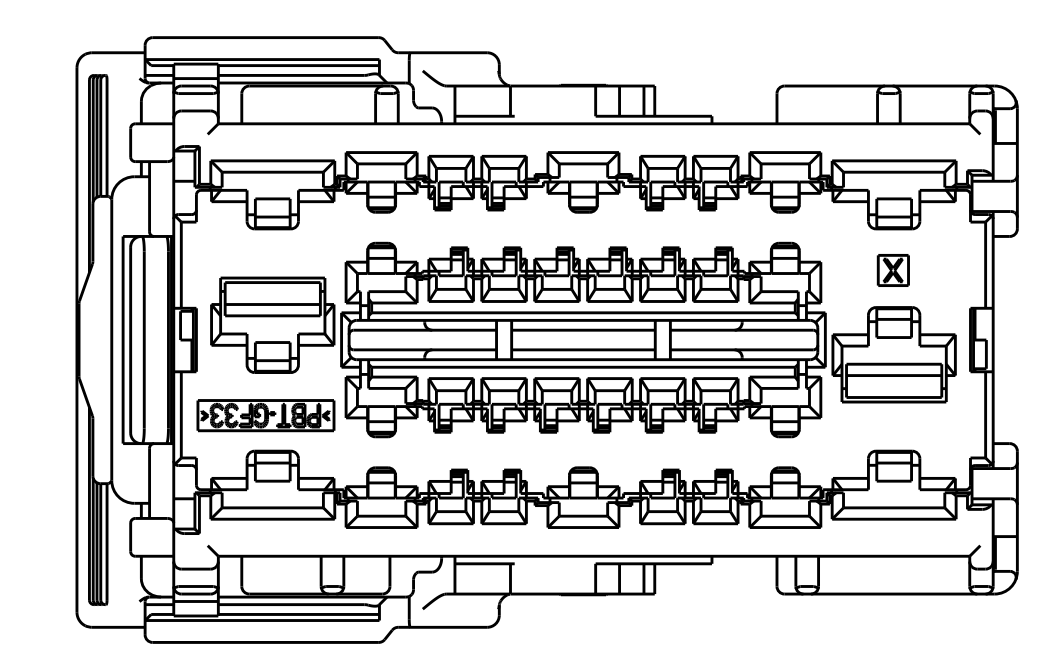
ISOMETRIC VIEWS



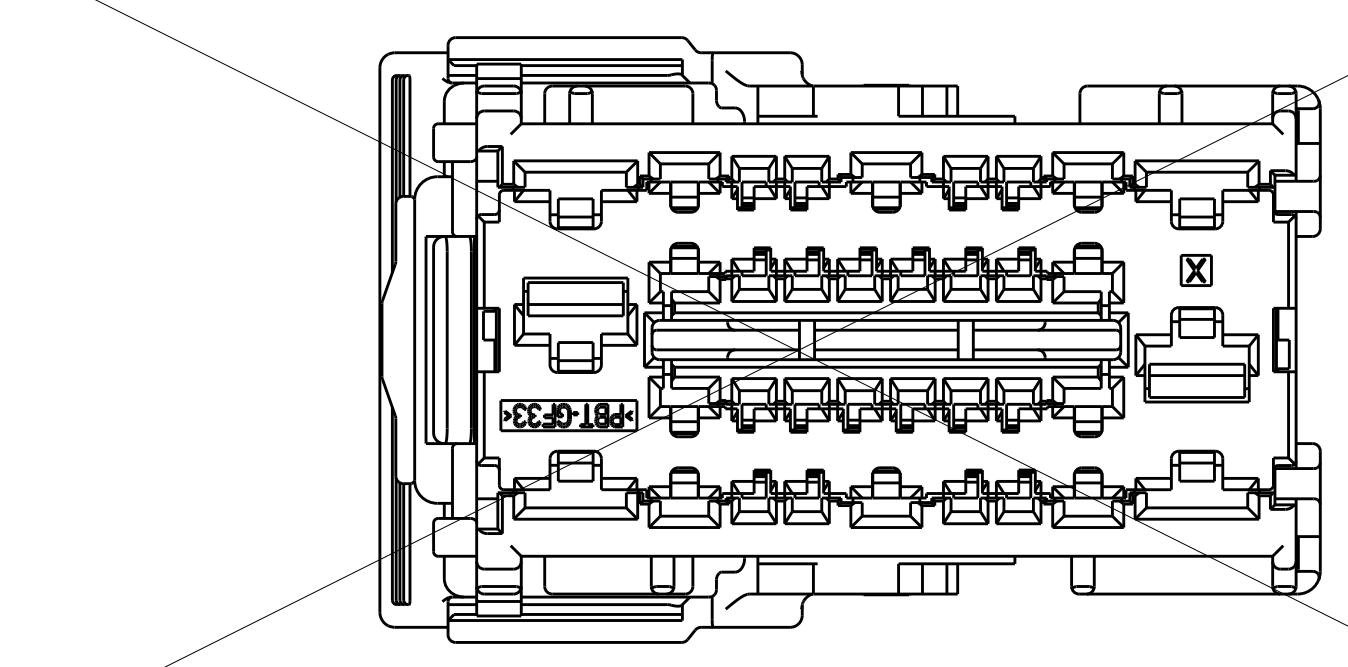
NOTES:
1. TE CONNECTIVITY PART NUMBER 2138731-1 SHOWN IN GENERAL VIEWS WITH TPA AND LEVER IN SHIPPING POSITION.
MATERIAL:
PLUG HOUSING: NYLON PA66 35% GLASS FILLED, BLACK
TPA: PBT 33% GLASS FILLED, RED
LEVER: PBT 33% GLASS FILLED, NATURAL



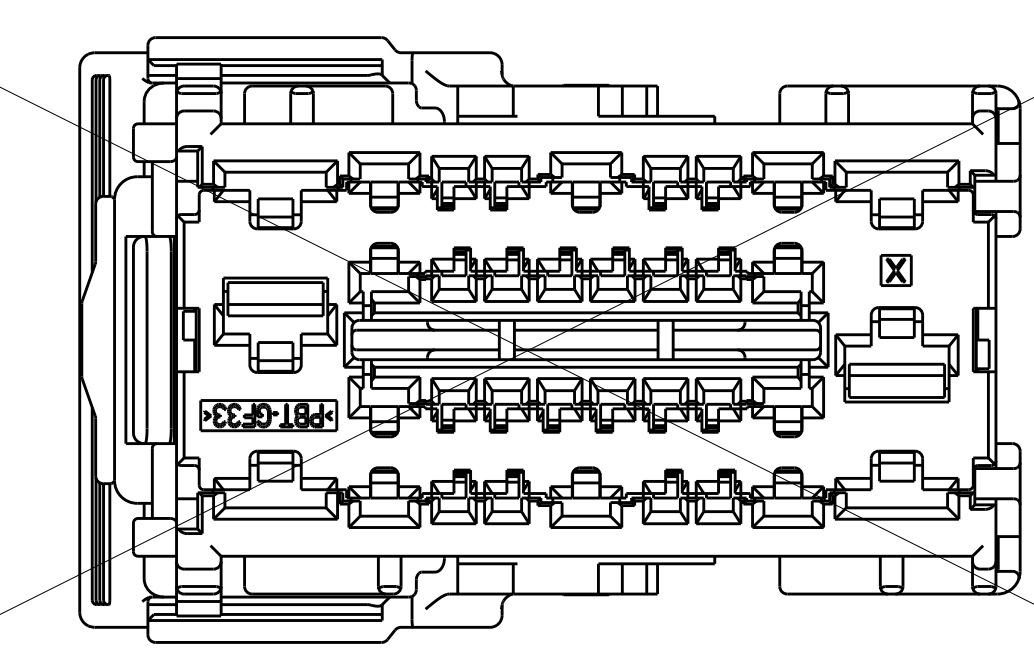
SCALE 2:1
2138731-1
KEYING OPTION "A"



SCALE 2:1
2138731-2
KEYING OPTION "B"



SCALE 2:1
2138731-3
KEYING OPTION "C"



SCALE 2:1
2138731-4
KEYING OPTION "D"

STATUS	KEYING OPTION	TE PART NUMBER
NOT TOOLED	D	2138731-4
NOT TOOLED	C	2138731-3
RELEASED	B	2138731-2
RELEASED	A	2138731-1

THIS DRAWING IS A CONTROLLED DOCUMENT. DATE: 20/DEC/2011
 DIMENSIONS: (mm) TOLERANCE UNLESS OTHERWISE SPECIFIED. DRW: M. HILCHUCK, CHK: J. HEIRICK, APP'D: J. HEIRICK, PRODUCT SPEC: 36P UNSEALED HYBRID PLUG ASSEMBLY (20X 1.5, 10X 2.8, 6X 6.3)
 MATERIAL: PBT 33% GLASS FILLED, RED FINISH: A37 WEIGHT: .00779g
 CUSTOMER DRAWING: 2138731 SCALE: 2:1 SHEET 1 OF 1 REV: A2