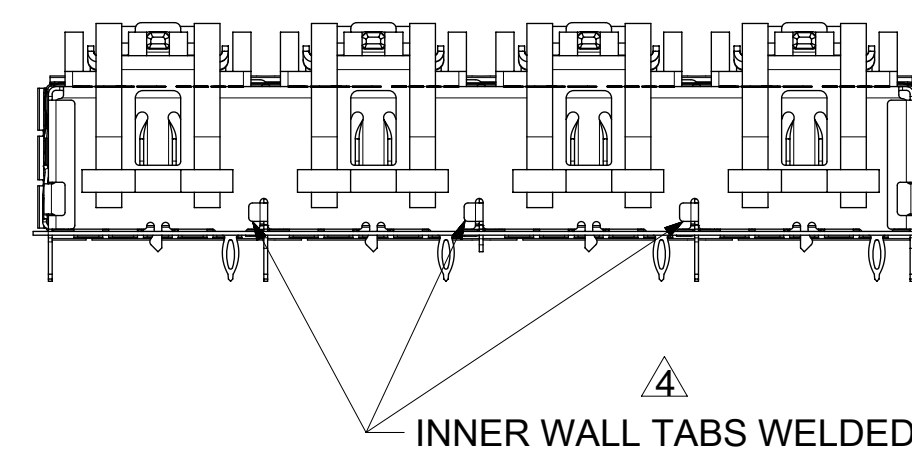
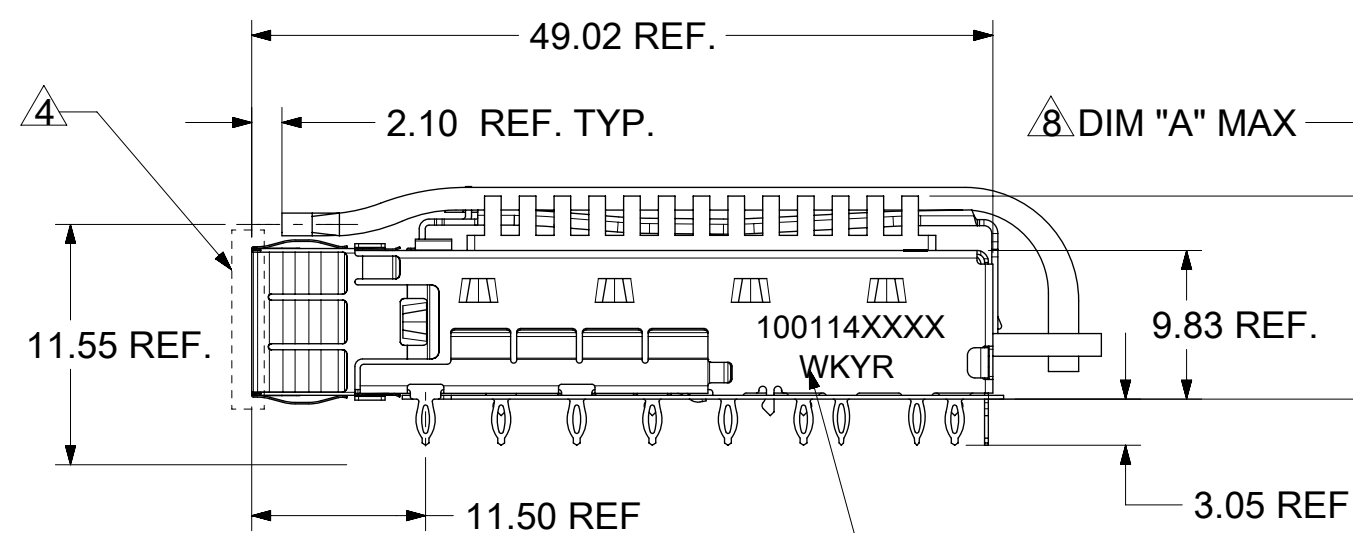
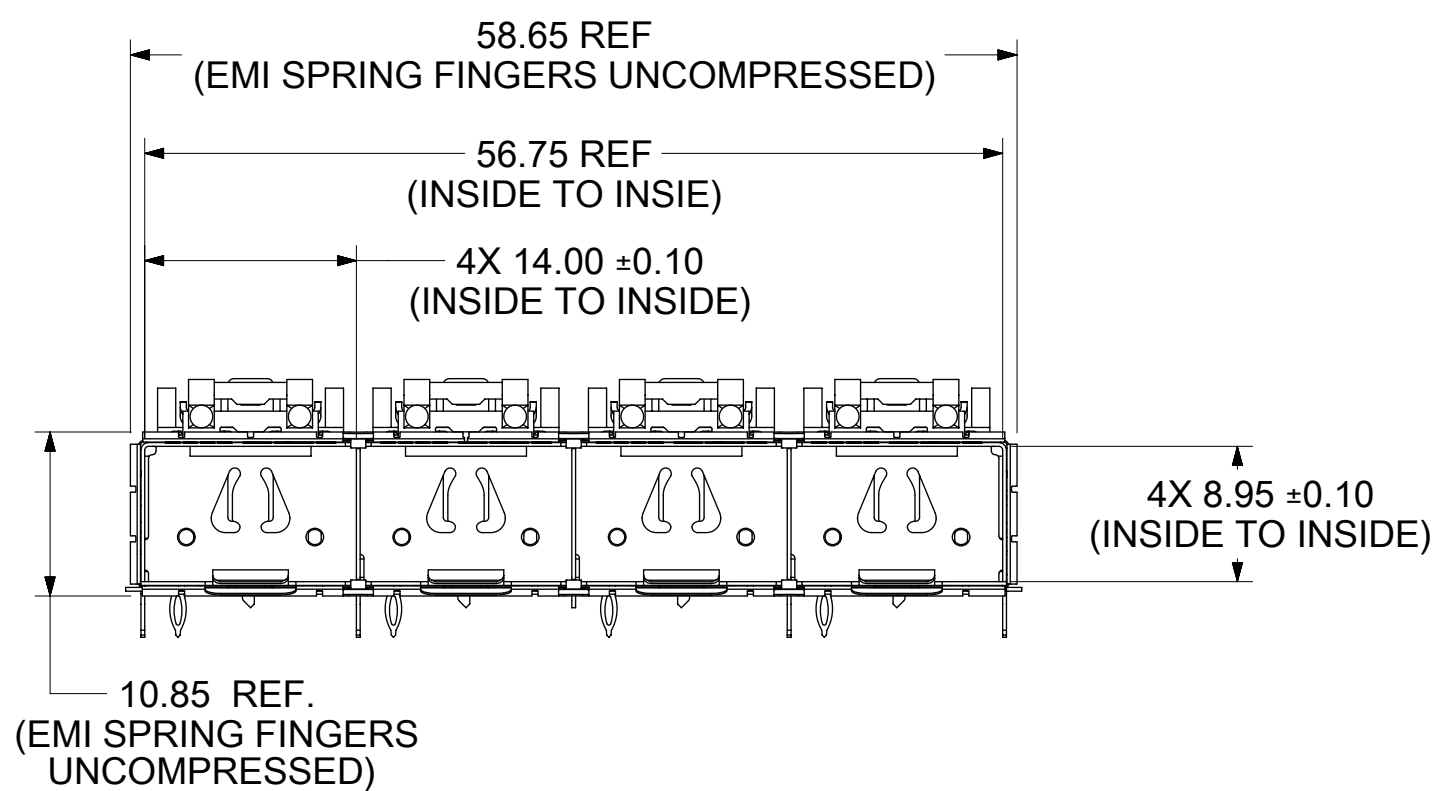
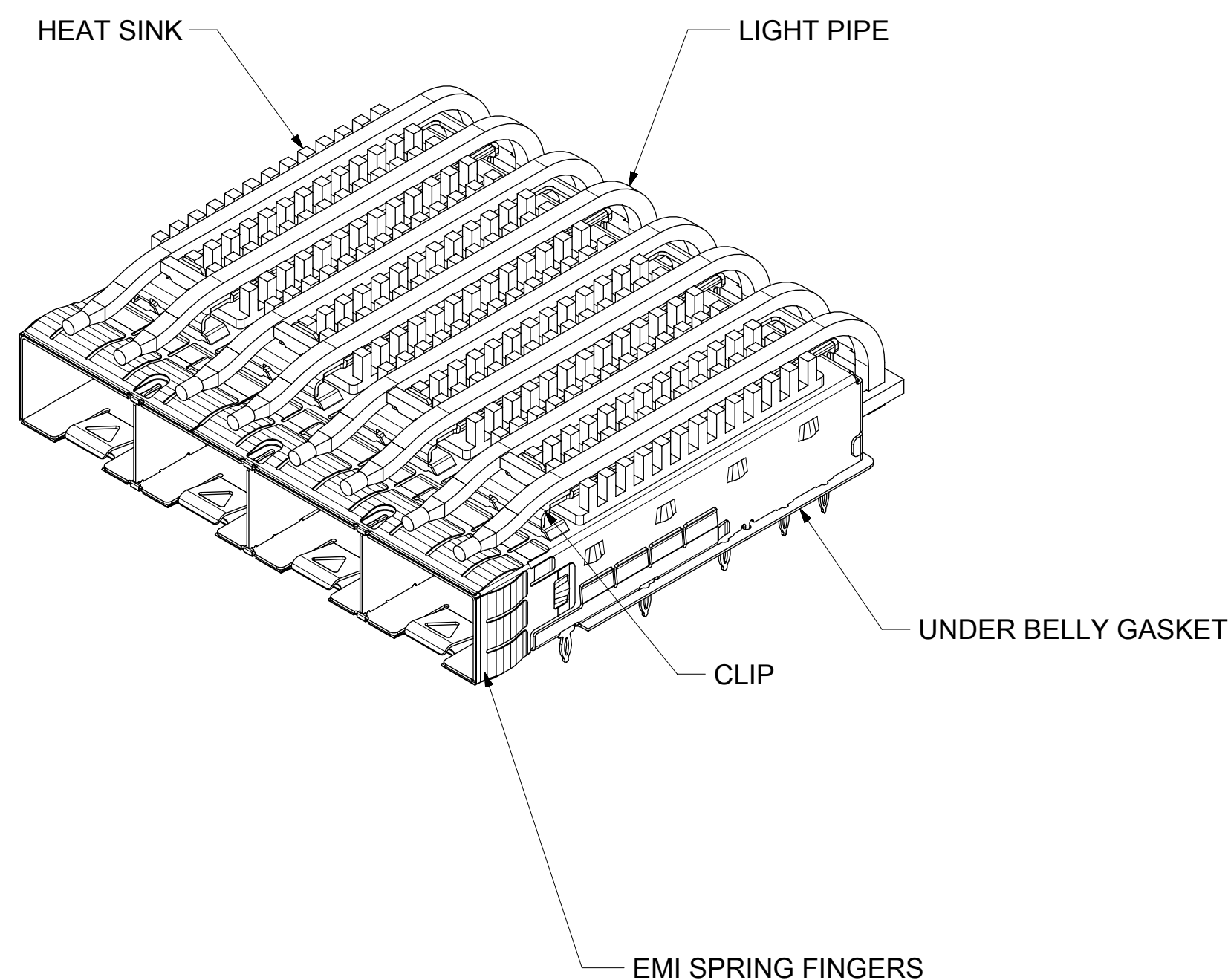
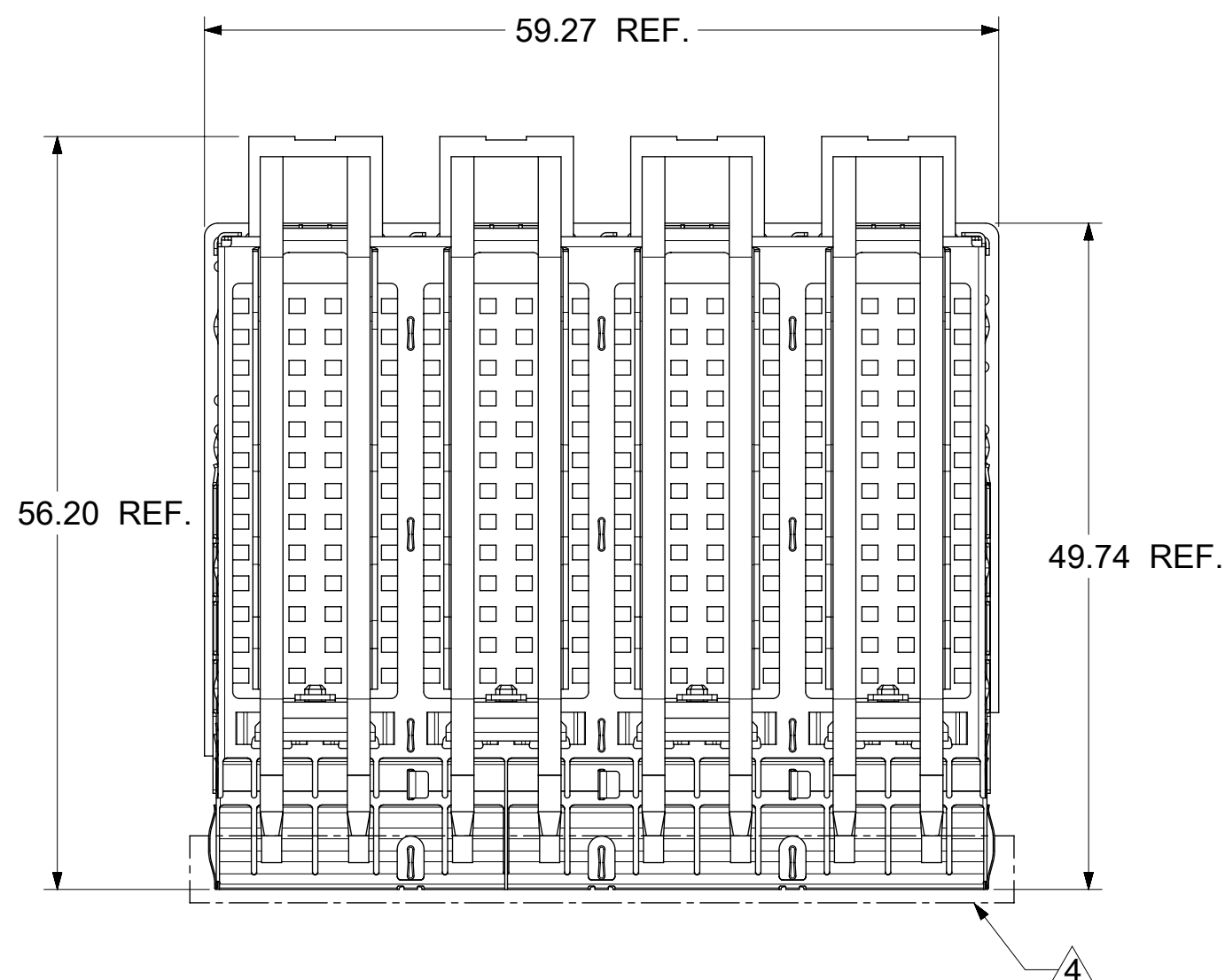


COMMON DIMENSIONS 1001147421 SHOWN



PART NO. AND WEEK/YEAR DATE CODE TO BE PRINTED ON SIDE OF COMPLETED CAGE ASSEMBLY APPROXIMATELY AS SHOWN. SEE TABLE BELOW FOR DATE CODE INFORMATION.

WEEK/YEAR DATE CODE TABLE	
WW	01 THRU 52 OR 53 EXAMPLE:01 = FIRST WEEK OF YEAR 52 = LAST WEEK OF YEAR
YY	22, 23, 24 ETC. EXAMPLE : YEAR 2022 = 22

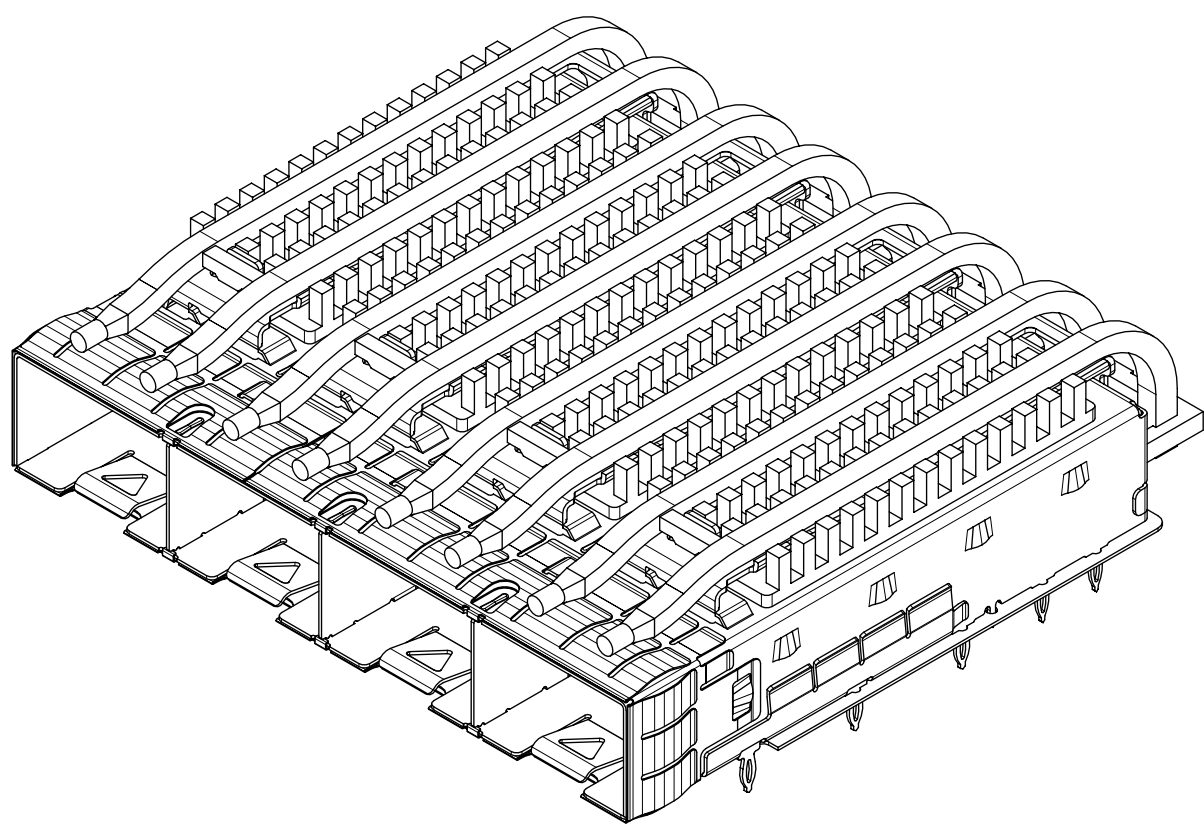
PART NUMBER	DIM "A"
1001147421	14.3
1001148422	14.3

NOTES:

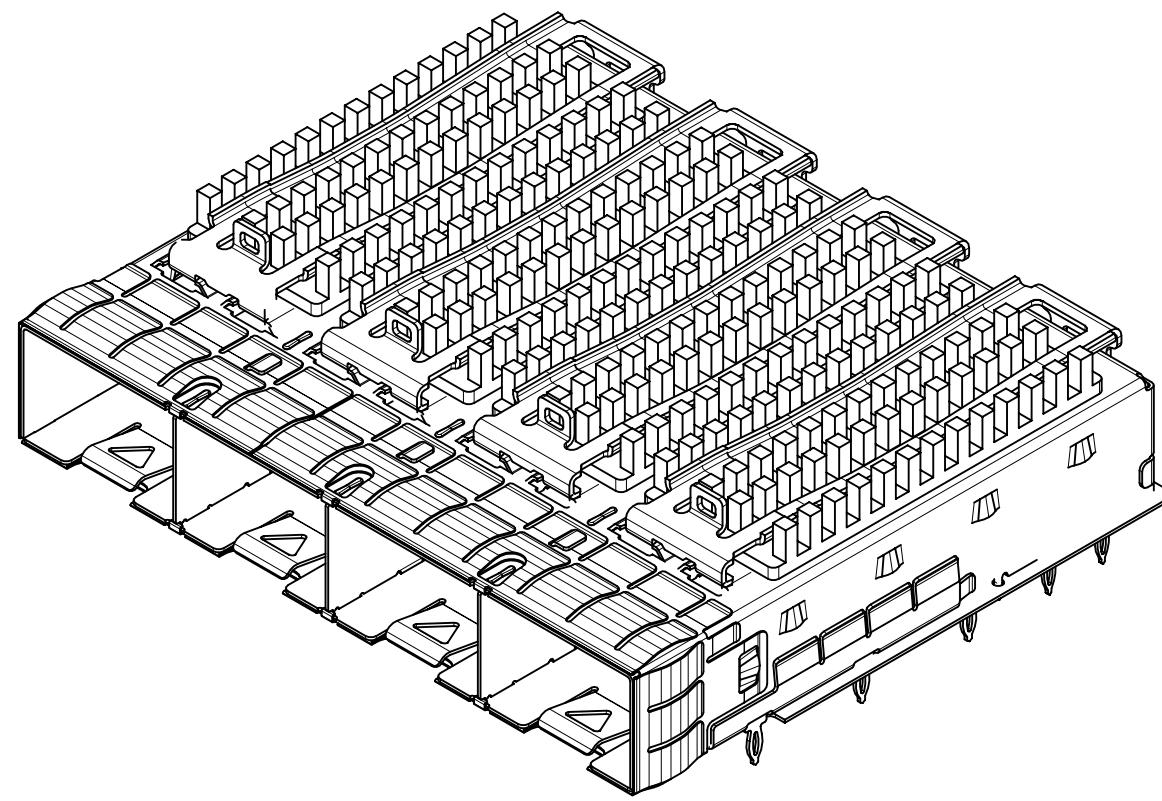
1. MATERIAL:
CAGE: 0.25mm THICK COPPER ALLOY, NICKEL PLATED.
SPRING FINGERS: STAINLESS STEEL.
HEATSINK: ALUMINUM, BLACK ANODIZED
HEATSINK SPRING CLIP: STAINLESS STEEL
LIGHT PIPE: POLYCARBONATE, UL94V-0
UNDER BELLY GASKET: EMI GASKET
2. PRESS FIT LEGS 3.05mm LONG.
3. PORTS ARE DESIGNED FOR SFP+ TRANSCEIVERS AND ARE COMPATIBLE WITH SFP TRANSCEIVERS. THE TOP SURFACE OF THE MODULE MUST BE FLAT (NO PRODUCT LABEL RECESS) AND THERMALLY CONDUCTIVE TO FUNCTION OPTIMALLY.
4. WELD SPOT MAY SHOW SLIGHT MATERIAL DISCOLORATION.
5. NO RoHS EXEMPTIONS.
6. 1.57mm MINIMUM PCB THICKNESS FOR SINGLE SIDED USE.
7. 3.0mm MINIMUM PCB THICKNESS FOR BELLY TO BELLY USE.
8. HEIGHT OF HEATSINK WITH MODULE INSERTED DIMENSION MAY BE LESS DUE TO MODULE AND HEATSINK VARIATIONS.

FUNCTIONAL SYMBOLS	THIS DRAWING CONTAINS INFORMATION THAT IS PROPRIETARY TO MOLEX ELECTRONIC TECHNOLOGIES, LLC AND SHOULD NOT BE USED WITHOUT WRITTEN PERMISSION		CURRENT REV DESC: SEE REVISION TABLE		
$\nabla_A = 0$	DIMENSION UNITS: mm	SCALE: 2:1			
$\nabla_E = 0$	GENERAL TOLERANCES (UNLESS SPECIFIED)				
$\nabla_P = 0$	ANGULAR TOL $\pm 1.0^\circ$				
DIVISIONAL SYMBOLS	4 PLACES \pm	EC NO: 707054			
	3 PLACES ± 0.05	DRWN: ABHILT2	2022/04/08		
	2 PLACES ± 0.13	CHK'D: TKUMARKC	2022/05/20		
	1 PLACE ± 0.25	APPR: SCHIEN	2022/05/23		
0 PLACES \pm	INITIAL REVISION:				
DRAFT WHERE APPLICABLE MUST REMAIN WITHIN DIMENSIONS		DRWN: ABHILT2	2022/04/08		
THIRD ANGLE PROJECTION		APPR: SCHIEN	2022/05/23		
DRAWING SERIES		C-SIZE 100114		PRODUCT CUSTOMER DRAWING	
MATERIAL NUMBER CUSTOMER		DOCUMENT NUMBER		DOC TYPE DOC PART REVISION	
SEE P/N TABLE		1001147421		PSD ASY A	
SHEET NUMBER		1 OF 7			

1001147421



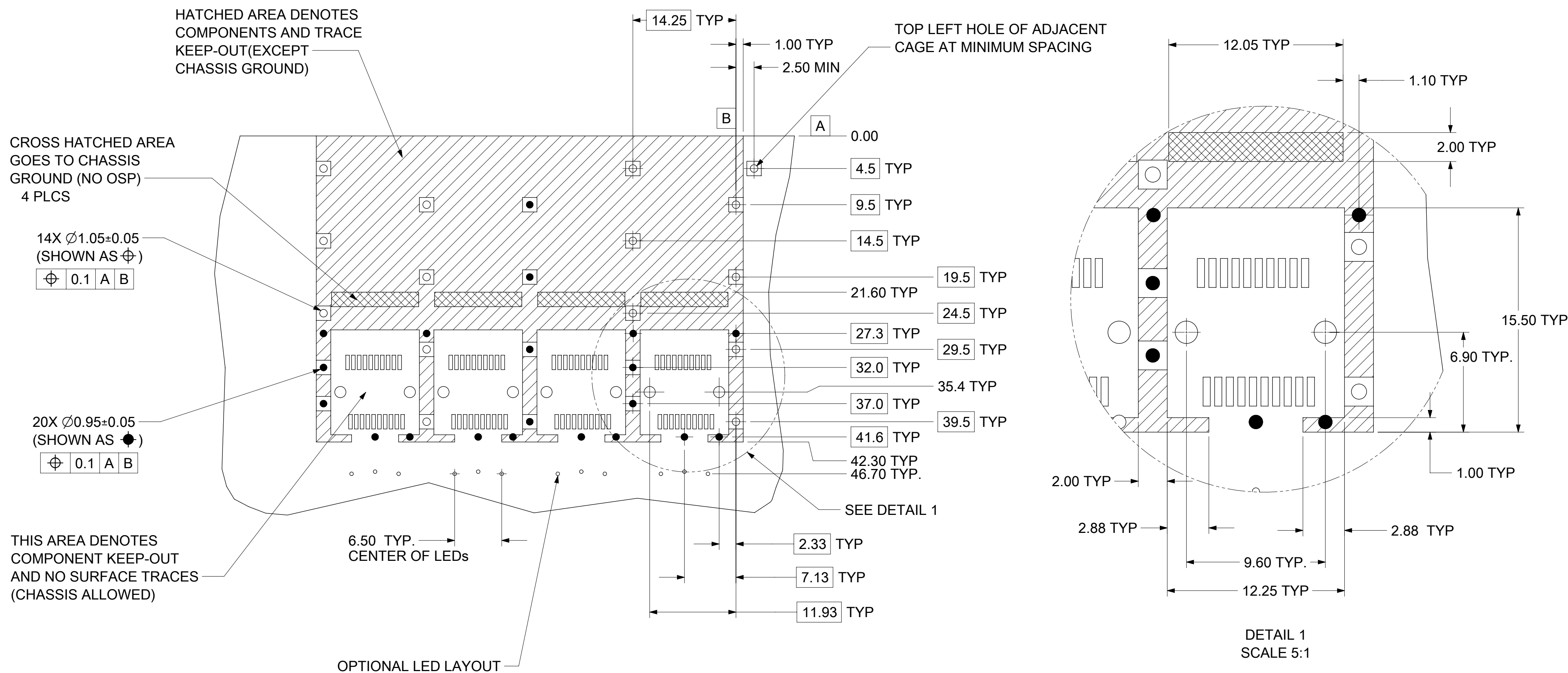
1001148422



PART NUMBER	DESCRIPTION	LIGHTPIPE
1001147421	ZSFP+ 1X4 CAGE, W/HS, DUAL LP	DUAL
1001148422	ZSFP+ 1X4 CAGE, W/HS	NO

FUNCTIONAL SYMBOLS $\nabla_A = 0$ $\nabla_C = 0$ $\nabla_P = 0$	THIS DRAWING CONTAINS INFORMATION THAT IS PROPRIETARY TO MOLEX ELECTRONIC TECHNOLOGIES, LLC AND SHOULD NOT BE USED WITHOUT WRITTEN PERMISSION		CURRENT REV DESC: SEE REVISION TABLE					
	DIMENSION UNITS: mm SCALE: 2:1	GENERAL TOLERANCES (UNLESS SPECIFIED) ANGULAR TOL $\pm 1.0^\circ$		EC NO: 707054 DRWN: ABHILT2 2022/04/08 CHK'D: TKUMARKC 2022/05/20 APPR: SCHIEN 2022/05/23		ZSFP+ GEN2 1X4 CAGE ASSY PRESS FIT TYPE, W/SUS SF,HEAT SINK & DUAL LIGHT PIPE PRODUCT CUSTOMER DRAWING		
DIVISIONAL SYMBOLS 4 PLACES \pm 3 PLACES ± 0.05 2 PLACES ± 0.13 1 PLACE ± 0.25 0 PLACES \pm	DRAFT WHERE APPLICABLE MUST REMAIN WITHIN DIMENSIONS		INITIAL REVISION: DRWN: ABHILT2 2022/04/08 APPR: SCHIEN 2022/05/23		DOCUMENT NUMBER 1001147421		DOC TYPE PSD	DOC PART ASY
THIRD ANGLE PROJECTION 		DRAWING C-SIZE	SERIES 100114	MATERIAL NUMBER SEE P/N TABLE	CUSTOMER	SHEET NUMBER 2 OF 7		

PCB LAYOUT FOR SINGLE SIDE MOUNT

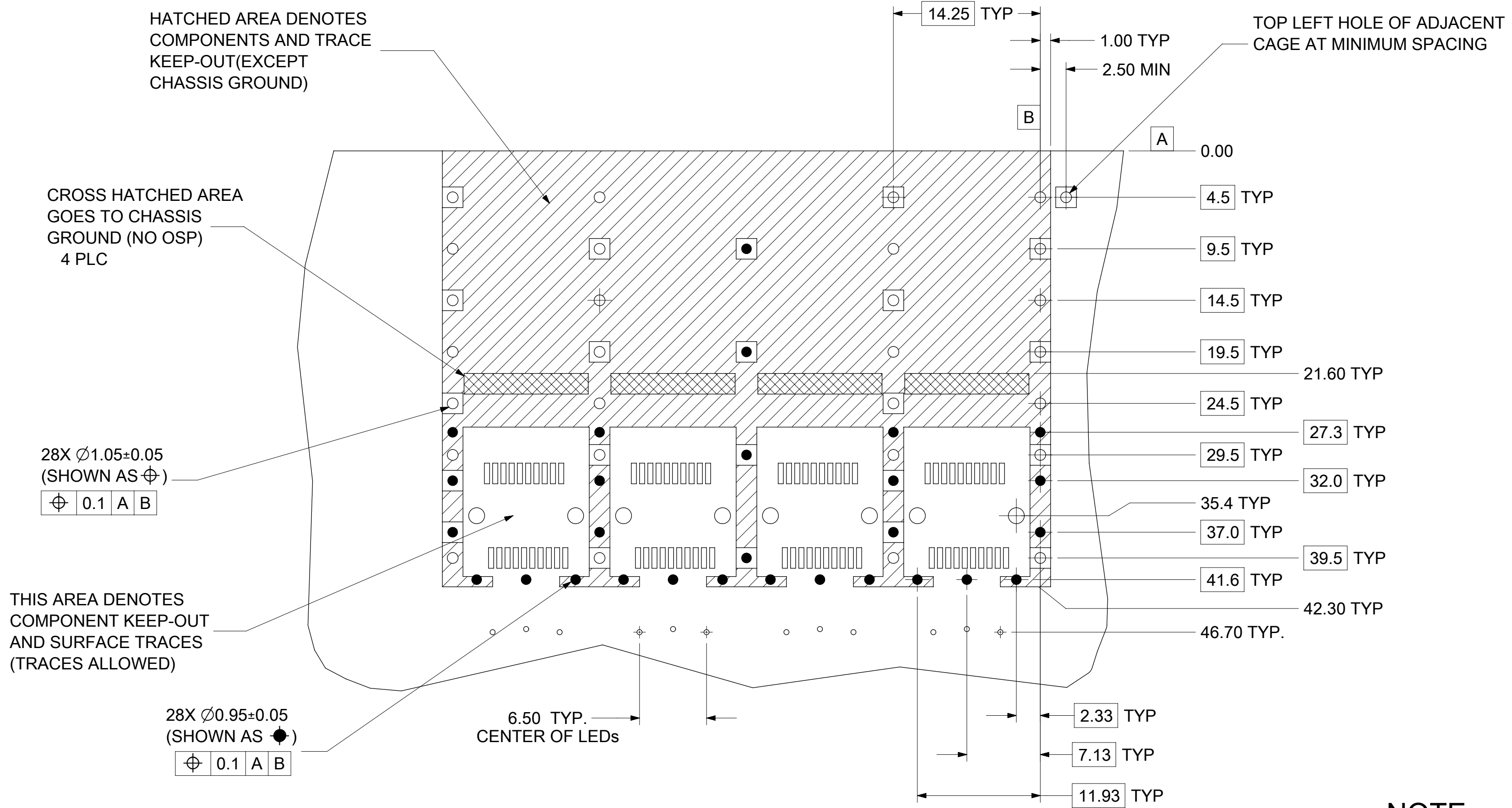


- NOTES:**
1. PADS AND VIAS CONNECT TO CHASSIS GROUND (RECOMMENDED PADS TO BE 2.00mm SQUARE)
 2. RECOMMENDED THRU HOLE PLATING INCLUDES HASL, OSP, OR IMMERSION (GOLD, SILVER, OR TIN)
 3. CONNECTOR PAD LAYOUT PER SFP+MSA WILL ACCOMMODATE MOLEX CONNECTOR SERIES 170382 OR EQUIVALENT
 4. HOLE PATTERN REPEATS FOR EACH PORT, SPACING BETWEEN PORTS IS 14.25mm

FUNCTIONAL SYMBOLS		THIS DRAWING CONTAINS INFORMATION THAT IS PROPRIETARY TO MOLEX ELECTRONIC TECHNOLOGIES, LLC AND SHOULD NOT BE USED WITHOUT WRITTEN PERMISSION		CURRENT REV DESC: SEE REVISION TABLE	
$\frac{F}{A} = 0$	DIMENSION UNITS	SCALE			
$\frac{E}{C} = 0$	mm	2.5:1			
$\frac{E}{P} = 0$	GENERAL TOLERANCES (UNLESS SPECIFIED)				
	ANGULAR TOL $\pm 1.0^\circ$				
DIVISIONAL SYMBOLS		EC NO: 707054		2022/04/08	
		DRWN: ABHILT2		2022/05/20	
		CHK'D: TKUMARKC		2022/05/23	
		APPR: SCHIEN			
		INITIAL REVISION:		DOCUMENT NUMBER	
		DRWN: ABHILT2		1001147421	
		APPR: SCHIEN		PSD ASY A	
DRAFT WHERE APPLICABLE MUST REMAIN WITHIN DIMENSIONS		THIRD ANGLE PROJECTION	DRAWING	SERIES	MATERIAL NUMBER
			C-SIZE	100114	SEE P/N TABLE
		CUSTOMER		SHEET NUMBER	
				3 OF 7	

DOCUMENT STATUS	P1	RELEASE DATE	2022/05/23	11:20:22
-----------------	----	--------------	------------	----------

PCB LAYOUT FOR BELLY TO BELLY MOUNTING



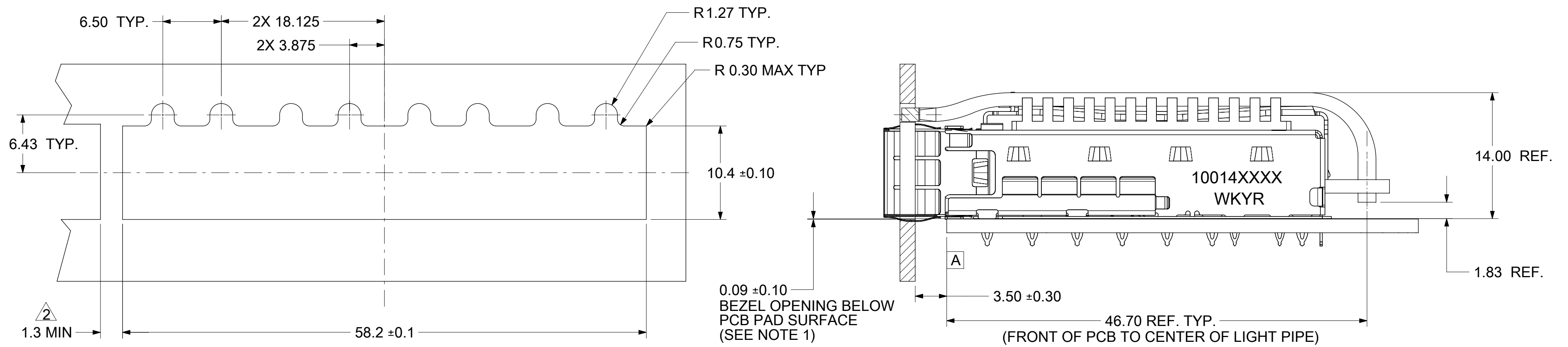
NOTE:
SEE SHEET 3 FOR HOST CONNECTOR DETAIL

NOTES:

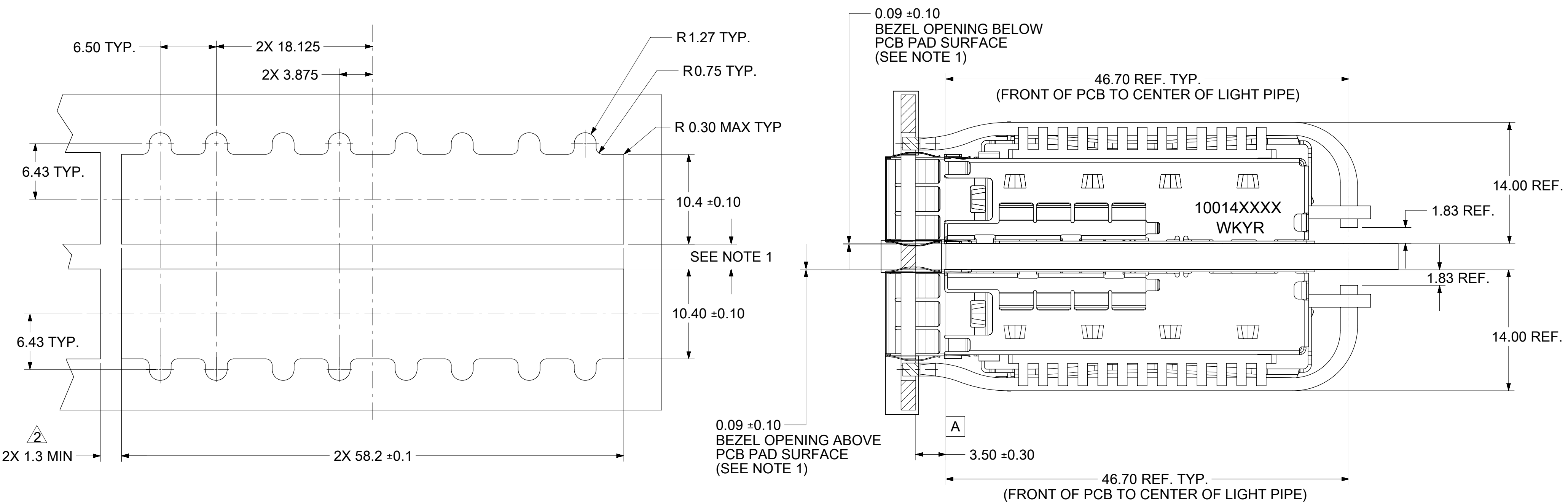
1. PADS AND VIAS CONNECT TO CHASSIS GROUND (RECOMMENDED PADS TO BE 2.00MM SQUARE)
2. RECOMMENDED THRU HOLE PLATING INCLUDES HASL, OSP, OR IMMERSION (GOLD, SILVER, OR TIN)
3. CONNECTOR PAD LAYOUT PER SFP+MSA WILL ACCOMMODATE MOLEX CONNECTOR SERIES 170382 OR EQUIVALENT
4. HOLE PATTERN REPEATS FOR EACH PORT, SPACING BETWEEN PORTS IS 14.25mm

FUNCTIONAL SYMBOLS		THIS DRAWING CONTAINS INFORMATION THAT IS PROPRIETARY TO MOLEX ELECTRONIC TECHNOLOGIES, LLC AND SHOULD NOT BE USED WITHOUT WRITTEN PERMISSION		CURRENT REV DESC: SEE REVISION TABLE		molex	
$\frac{F}{A} = 0$	DIMENSION UNITS: mm	SCALE: 3:1	EC NO: 707054				
$\frac{F}{C} = 0$	GENERAL TOLERANCES (UNLESS SPECIFIED)		DRWN: ABHILT2			2022/04/08	
$\frac{F}{P} = 0$	ANGULAR TOL $\pm 1.0^\circ$		CHK'D: TKUMARKC			2022/05/20	
DIVISIONAL SYMBOLS		4 PLACES \pm	APPR: SCHIEN			2022/05/23	
		3 PLACES ± 0.05	INITIAL REVISION:			DOCUMENT NUMBER	
		2 PLACES ± 0.13	DRWN: ABHILT2			1001147421	
		1 PLACE ± 0.25	APPR: SCHIEN			PSD ASY A	
		0 PLACES \pm	THIRD ANGLE PROJECTION			MATERIAL NUMBER	
DRAFT WHERE APPLICABLE MUST REMAIN WITHIN DIMENSIONS		DRAWING: C-SIZE		SERIES: 100114		CUSTOMER	
		SHEET NUMBER		SEE P/N TABLE		4 OF 7	

BEZEL AND BOARD POSITION DIMENSIONS FOR SINGLE SIDE MOUNTING FOR P/N 1001147421



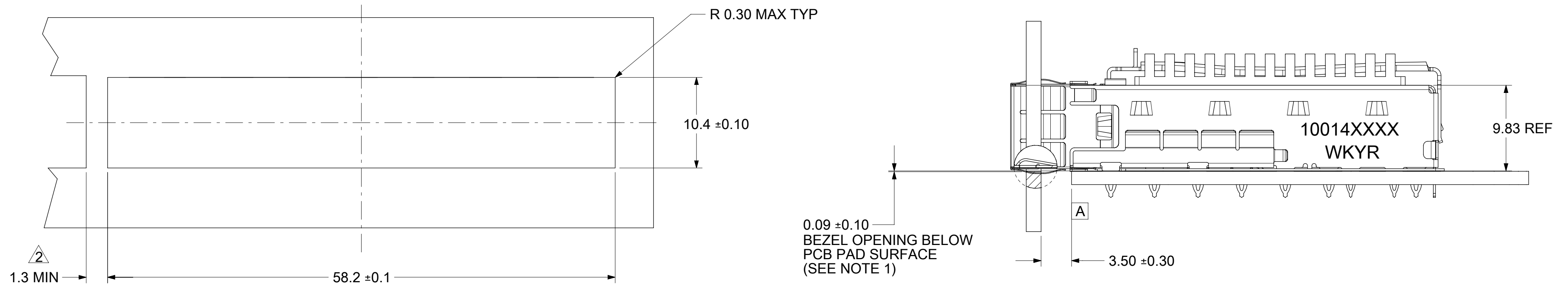
BEZEL AND BOARD POSITION DIMENSIONS FOR BELLY TO BELLY MOUNTING FOR P/N 1001147421



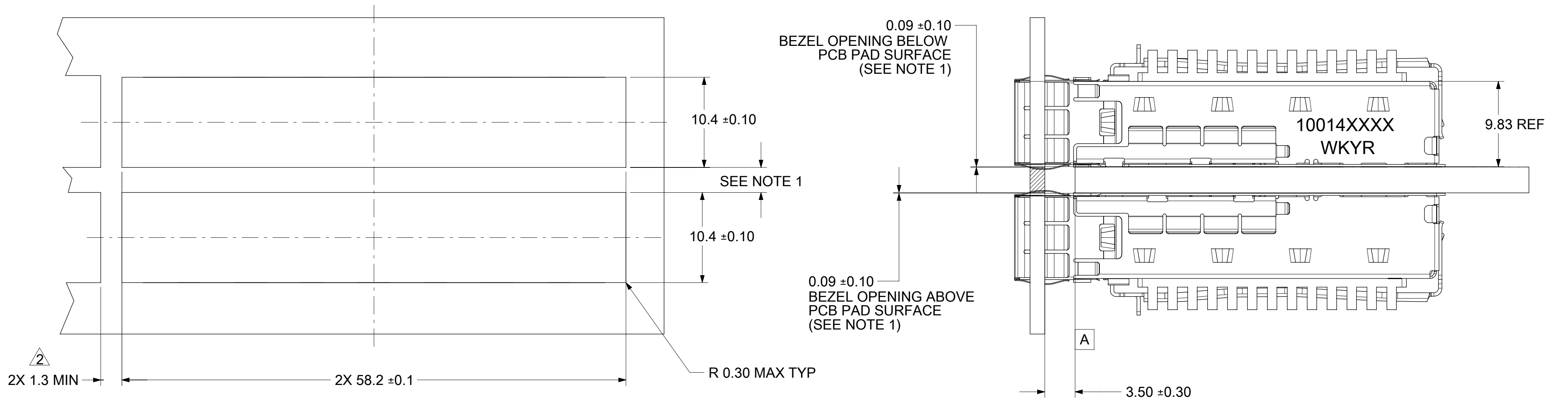
NOTE:
 1. PCB THICKNESS VARIATION MUST BE CONSIDERED WHEN DETERMINING BEZEL OPENING LOCATION.
 2. THIS DIM IS FOR REF ONLY USER CAN MODIFY IT DEPENDS ON APPLICATION, HOLE OF ADJACENT CAGE ON PCB LAYOUT VARIES BASED ON MODIFICATION.

FUNCTIONAL SYMBOLS		THIS DRAWING CONTAINS INFORMATION THAT IS PROPRIETARY TO MOLEX ELECTRONIC TECHNOLOGIES, LLC AND SHOULD NOT BE USED WITHOUT WRITTEN PERMISSION		CURRENT REV DESC: SEE REVISION TABLE		molex	
$\nabla_A = 0$	DIMENSION UNITS	SCALE	EC NO: 707054				
$\nabla_E = 0$	mm	3:1	DRWN: ABHILT2			2022/04/08	
$\nabla_P = 0$	GENERAL TOLERANCES (UNLESS SPECIFIED)		CHK'D: TKUMARKC			2022/05/20	
	ANGULAR TOL ± 1.0°		APPR: SCHIEN			2022/05/23	
DIVISIONAL SYMBOLS		4 PLACES ±		INITIAL REVISION:		PRODUCT CUSTOMER DRAWING	
	3 PLACES ± 0.05		DRWN: ABHILT2		2022/04/08		DOCUMENT NUMBER
	2 PLACES ± 0.13		APPR: SCHIEN		2022/05/23		1001147421
	1 PLACE ± 0.25		DRWN: ABHILT2		2022/04/08		PSD ASY A
	0 PLACES ±		APPR: SCHIEN		2022/05/23		DOC TYPE DOC PART REVISION
DRAFT WHERE APPLICABLE MUST REMAIN WITHIN DIMENSIONS		THIRD ANGLE PROJECTION	DRAWING	SERIES	MATERIAL NUMBER	CUSTOMER	SHEET NUMBER
			C-SIZE	100114	SEE P/N TABLE		5 OF 7

BEZEL AND BOARD POSITION DIMENSIONS FOR SINGLE SIDE MOUNTING FOR P/N 1001148422



BEZEL AND BOARD POSITION DIMENSIONS FOR BELLY TO BELLY MOUNTING FOR P/N 1001148422



NOTE:
 1. PCB THICKNESS VARIATION MUST BE CONSIDERED WHEN DETERMINING BEZEL OPENING LOCATION
 2. THIS DIM IS FOR REF ONLY USER CAN MODIFY IT DEPENDS ON APPLICATION, HOLE OF ADJACENT CAGE ON PCB LAYOUT VARIES BASED ON MODIFICATION.



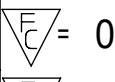

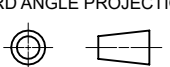
FUNCTIONAL SYMBOLS	THIS DRAWING CONTAINS INFORMATION THAT IS PROPRIETARY TO MOLEX ELECTRONIC TECHNOLOGIES, LLC AND SHOULD NOT BE USED WITHOUT WRITTEN PERMISSION		CURRENT REV DESC: SEE REVISION TABLE		
	DIMENSION UNITS	SCALE			
$\frac{F}{A} = 0$	mm	1:1			EC NO: 707054 DRWN: ABHILT2 CHK'D: TKUMARKC APPR: SCHIEN
$\frac{E}{C} = 0$	GENERAL TOLERANCES (UNLESS SPECIFIED)				
$\frac{E}{P} = 0$	ANGULAR TOL ± 1.0°				2022/05/20
DIVISIONAL SYMBOLS	4 PLACES	±			2022/05/23
	3 PLACES	±	INITIAL REVISION:		
	2 PLACES	±	DRWN: ABHILT2		2022/04/08
	1 PLACE	±	APPR: SCHIEN		2022/05/23
	0 PLACES	±			
DRAFT WHERE APPLICABLE MUST REMAIN WITHIN DIMENSIONS		THIRD ANGLE PROJECTION	DRAWING	SERIES	MATERIAL NUMBER
			C-SIZE	100114	SEE P/N TABLE
DOCUMENT STATUS		P1	RELEASE DATE	2022/05/23 11:20:22	DOC TYPE
					PSD
					ASY
					A
					REVISION
					1001147421
					6 OF 7

12 11 10 9 8 7 6 5 4 3 2 1

H
G
F
E
D
C
B
A

REV	DATE	DESCRIPTION
A	2022/05/20	INITIAL RELEASE

12 11 10 9 8 7 6 5 4 3 2 1

FUNCTIONAL SYMBOLS	THIS DRAWING CONTAINS INFORMATION THAT IS PROPRIETARY TO MOLEX ELECTRONIC TECHNOLOGIES, LLC AND SHOULD NOT BE USED WITHOUT WRITTEN PERMISSION														
	DIMENSION UNITS	SCALE	CURRENT REV DESC: SEE REVISION TABLE						 <p>ZSFPA GEN2 1X4 CAGE ASSY PRESS FIT TYPE, W/SUS SF,HEAT SINK & DUAL LIGHT PIPE</p> <p>PRODUCT CUSTOMER DRAWING</p>						
 = 0	mm	5:1	EC NO: 707054												
 = 0	GENERAL TOLERANCES (UNLESS SPECIFIED)		DRWN: ABHILT2			2022/04/08									
 = 0	ANGULAR TOL ± 1.0°		CHK'D: TKUMARKC			2022/05/20									
DIVISIONAL SYMBOLS	4 PLACES ±		APPR: SCHIEN					2022/05/23							
	3 PLACES ± 0.05		INITIAL REVISION:						DOCUMENT NUMBER	DOC TYPE	DOC PART	REVISION			
	2 PLACES ± 0.13		DRWN: ABHILT2										1001147421	PSD	ASY
	1 PLACE ± 0.25		APPR: SCHIEN						MATERIAL NUMBER	CUSTOMER	SHEET NUMBER				
	0 PLACES ±		DRAFT WHERE APPLICABLE MUST REMAIN WITHIN DIMENSIONS		THIRD ANGLE PROJECTION 		DRAWING					SERIES			
				C-SIZE		100114		SEE P/N TABLE		7 OF 7					