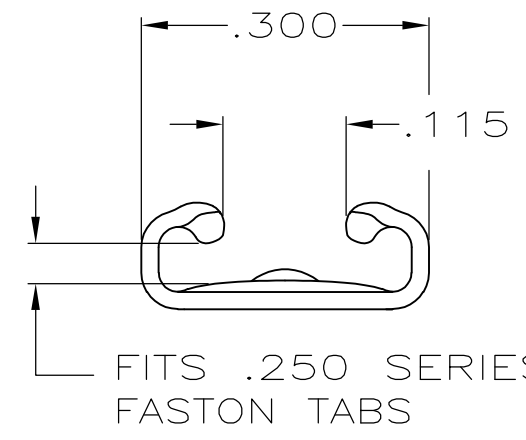
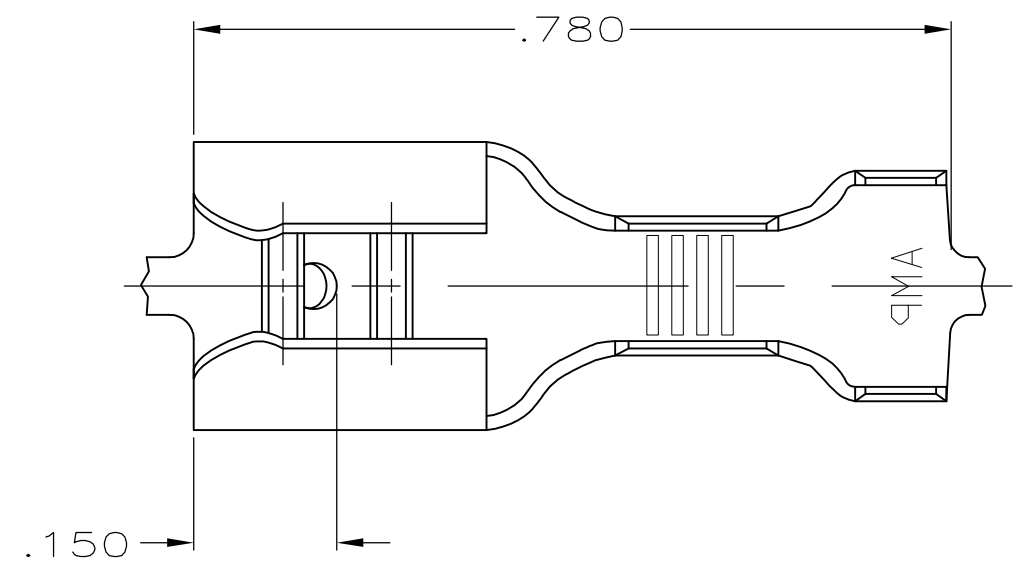


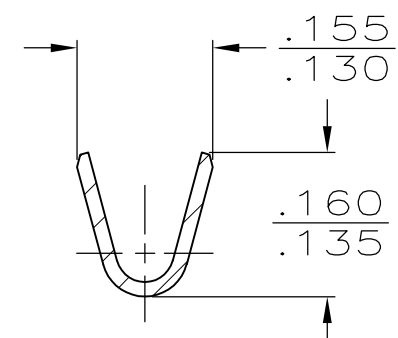
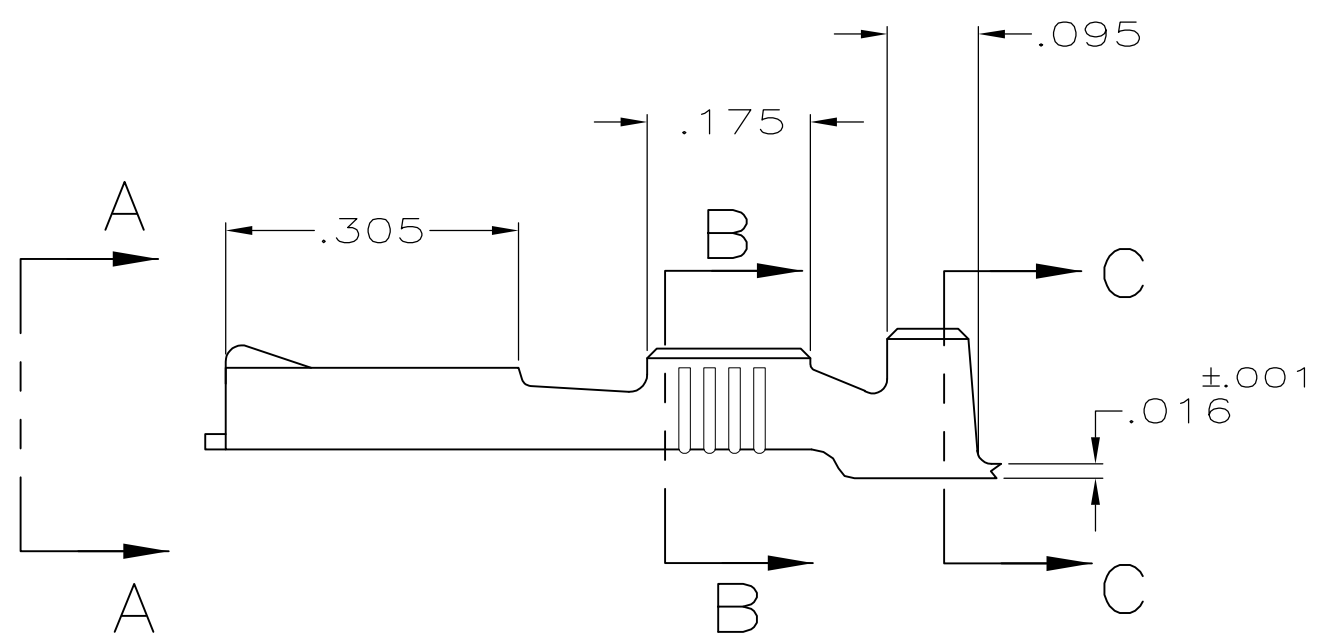
THIS DRAWING IS UNPUBLISHED. RELEASED FOR PUBLICATION
 © COPYRIGHT - By - ALL RIGHTS RESERVED.

LOC	DIST	REVISIONS					
AF	50	P	LTR	DESCRIPTION	DATE	DWN	APVD
		G		REVISED PER ECR-12-013445	09NOV12	KH	PD

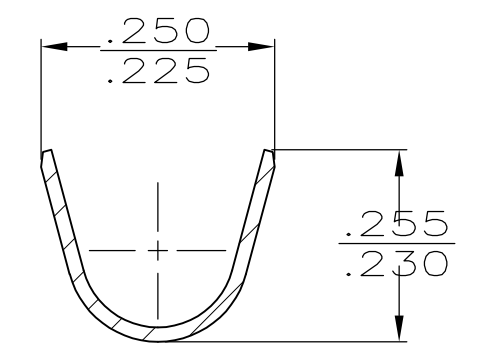
1 CONTINUOUS STRIP ON REELS.



VIEW A-A



SECTION B-B



SECTION C-C

TIN	.150-.210 DIA	18-14 AWG	.032	42692-2
-				42692-1
FINISH	INSULATION RANGE	WIRE SIZE	MATING TAB THK ±.001	PART NUMBER

THIS DRAWING IS A CONTROLLED DOCUMENT.		DWN JR RUTH 4/15/91	TE Connectivity RECEPTACLE, FASTON, .250 SERIES				
DIMENSIONS: INCHES		CHK MS FEHER 4/15/91					
		APVD C MEYERS 4/15/91					
TOLERANCES UNLESS OTHERWISE SPECIFIED:		PRODUCT SPEC					
0 PLC ± - 1 PLC ± - 2 PLC ± - 3 PLC ± .015 4 PLC ± - ANGLES ± -		APPLICATION SPEC	NAME	SIZE	CAGE CODE	DRAWING NO	RESTRICTED TO
MATERIAL BRASS		FINISH SEE TABLE	WEIGHT -	A300779		C-42692	-
CUSTOMER DRAWING			SCALE 5:1	SHEET 1 OF 1	REV G		