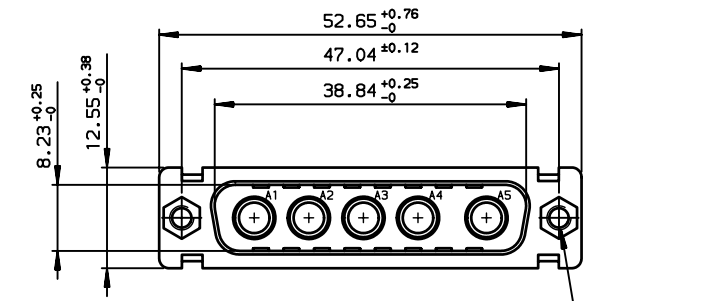


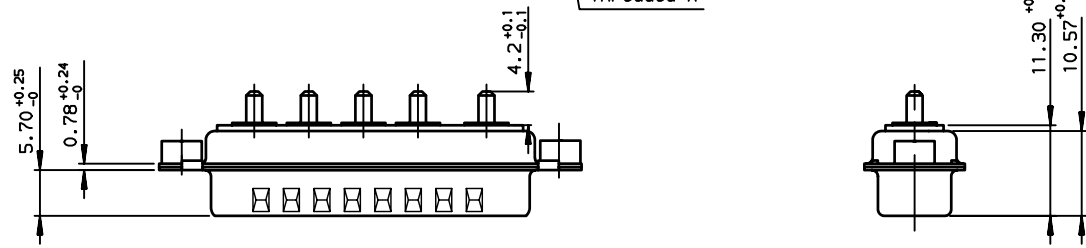
A

A



B

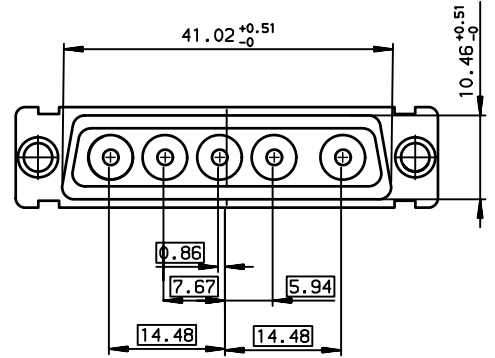
B



DBL5W5P300A30	M3
DB05W5P300A30	UNC 4.40
PART NUMBER	Threaded A

C

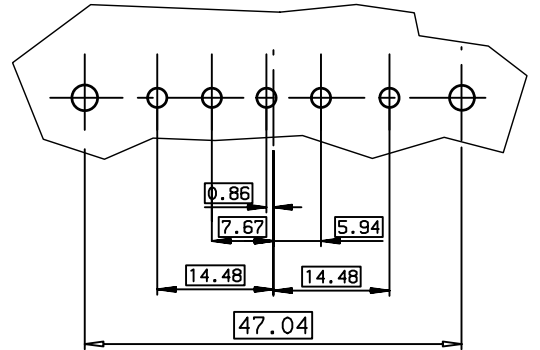
C



LAYOUT DIMENSIONS (after plating)  
CONNECTOR SIDE VIEW

D

D



GENERAL CHARACTERISTICS AND ROHS INFORMATIONS:  
SEE DRAWING C01-8639-0001

European Views

www.fciconnect.com		surface ISO 1302	tolerance std ISO 406 ISO 1101	projection mm	size A3	Scale 1.5
		TOLERANCES UNLESS OTHERWISE SPECIFIED				
Dr	JARRY	2003/12/22	0.X		±0.1	
Eng	PESSON	2003/12/22	ANGULAR	LINEAR	0.XX	±0.1
Chr	LEGARE	2003/12/22	0.XX' ±2'	0.XXX	±0.1	ECN LS06-0095
Appr	LEGARE	2003/12/22	Product family		D-SUB	Spec ref -
		MALE CONNECTOR 5W5 WITHOUT ACCESSORIES			dwg no C01-8639-2069	Rev. E
catalog no				CUSTOMER	sheet 1 of 1	

rev	ecn no	dr	date
B	-	JAR	2003/12/22
C	LS05-001	MPE	2005/03/10
D	LS05-0106	MPE	2005/11/22
E	LS06-0095	LGO	2006/07/18
-	-	-	-
-	-	-	-



Copyright FCI.