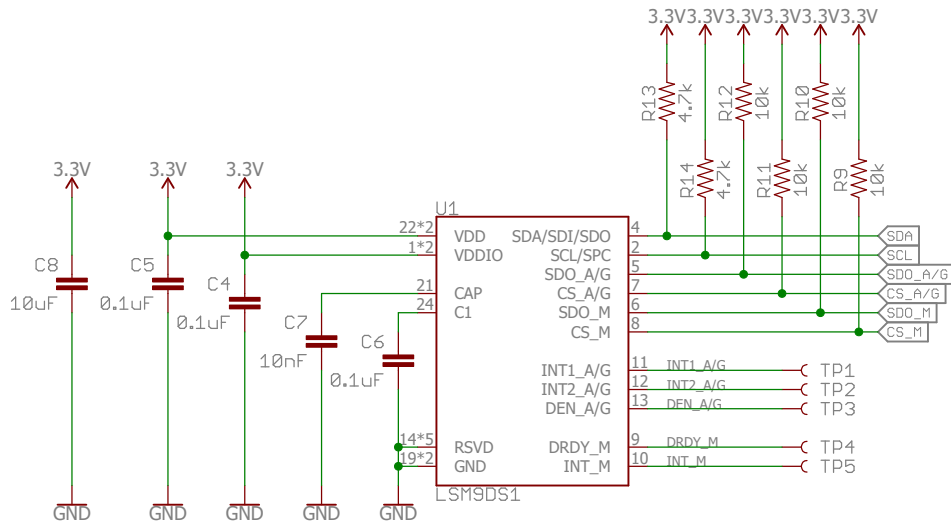
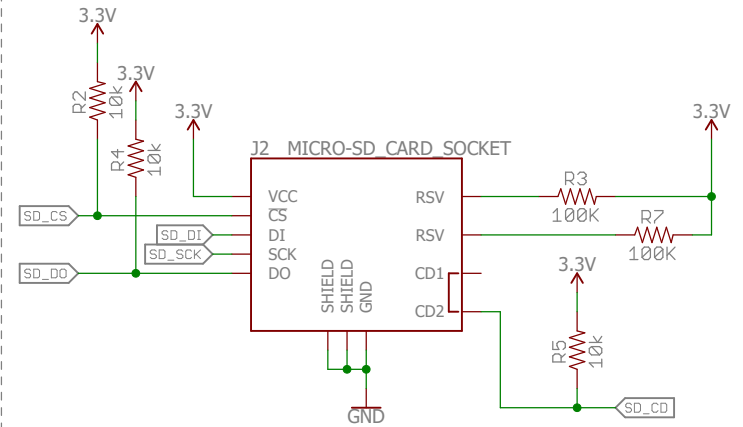


### LSM9DS1

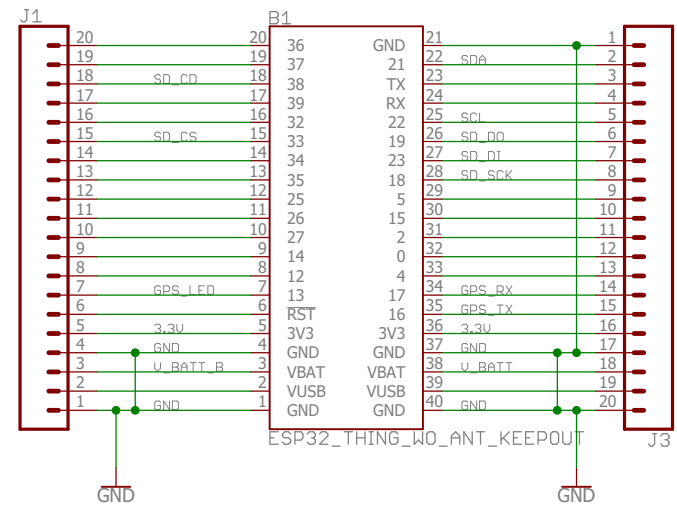
Mag at addr: 0x1E  
 Accel/Gyro at addr: 0x6B



### µSD Card Holder

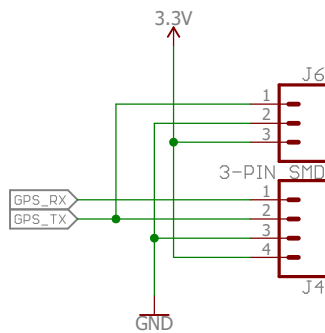


### ESP32 Thing Connections



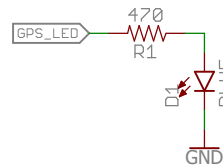
### GPS Interface

Use 3 pin JST for GP-20U7  
 (SFE PN GPS-13740), or wire  
 to 4 pin 0.1 inch header



### GPS Fix LED

User controlled from GPIO 13



sparkfun

Released under the Creative Commons

Attribution Share-Alike 4.0 License

<https://creativecommons.org/licenses/by-sa/4.0/>



TITLE: ESP32\_GPS\_Motion\_Shield\_v10

Design by: Marshall Taylor

REV:  
v10

Date: 11/7/2017 9:54 AM

Sheet: 1/1