



PRODUCT DATASHEET

Rose series

last update 21/3/2017

DETAILS

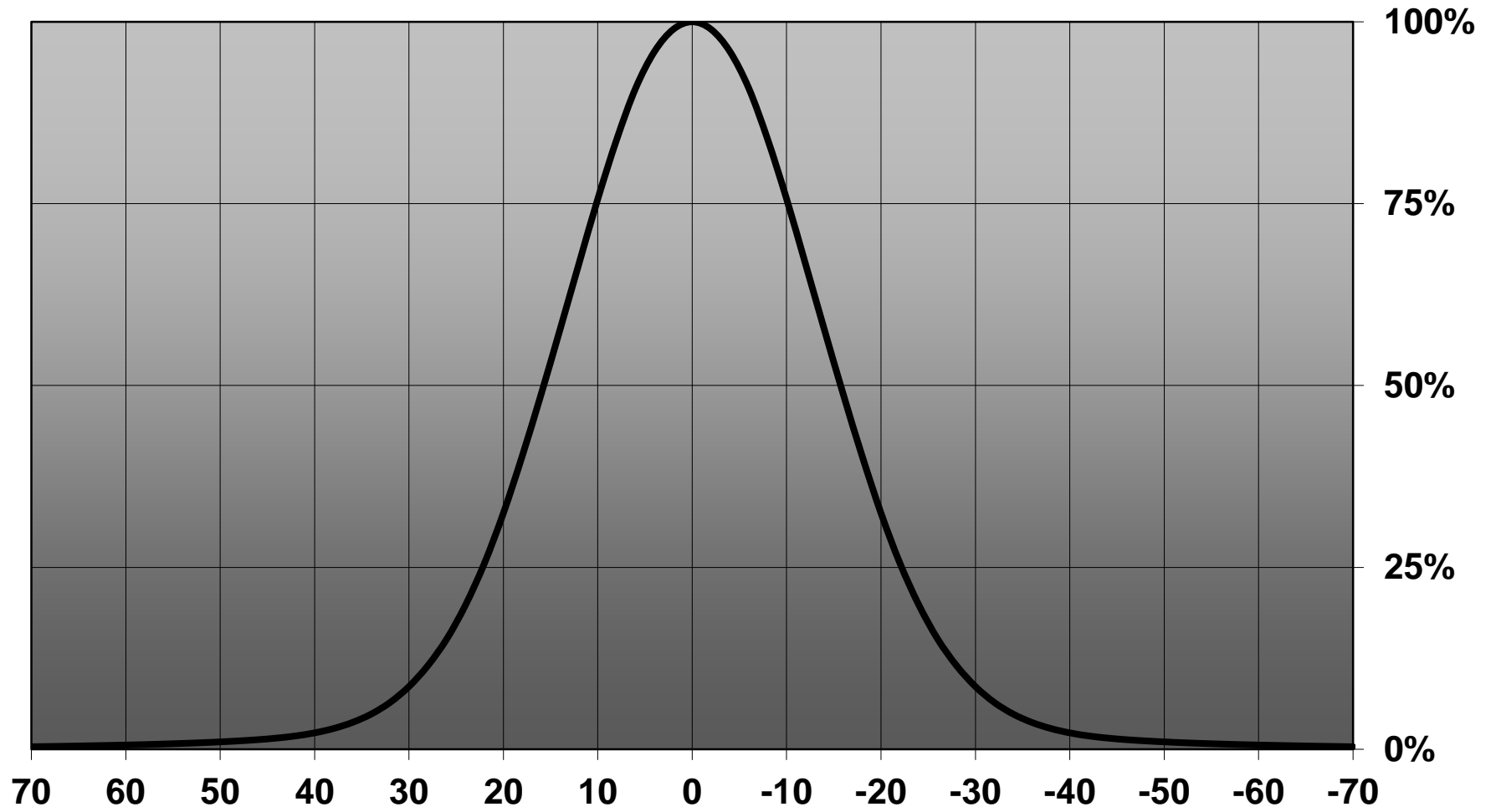
Product Number	FA11911_CXM-M
Family	Rose
Type	Assembly
Color	white
Diameter	21,6 + 21,6 mm
Height	12,9 mm
Style	square
Optic Material	PC
Holder Material	
Fastening	tape
Status	production ready
ROHS Compliant	Yes
Date Updated	21/03/2017



OPTICAL PROPERTIES

LED	Viewing Angle	Light Beam	Efficiency	cd/lm	Connector
XM-L	32 deg	Medium	82 %	-	-
XM-L2	32 deg	Medium	82 %	-	-

Relative intensity of FA11911_CXM-M_(XM-L2)



D

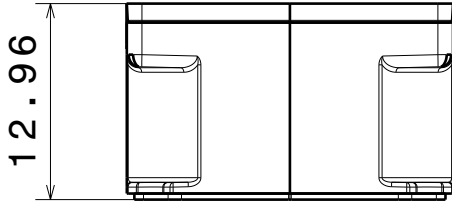
C

B

A

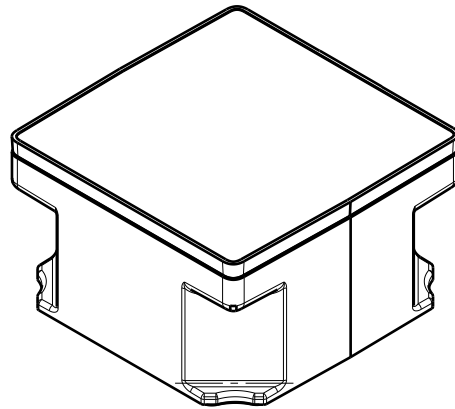
4

4



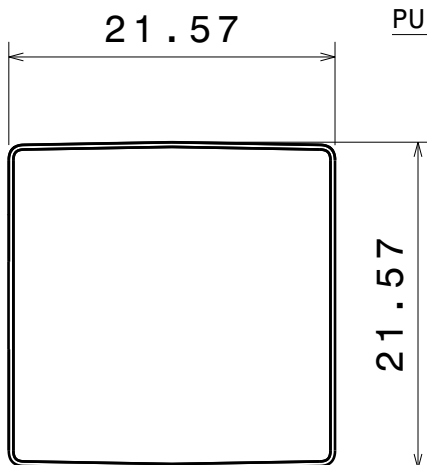
12.96

Front view

Isometric view
Scale: 2:1

3

3

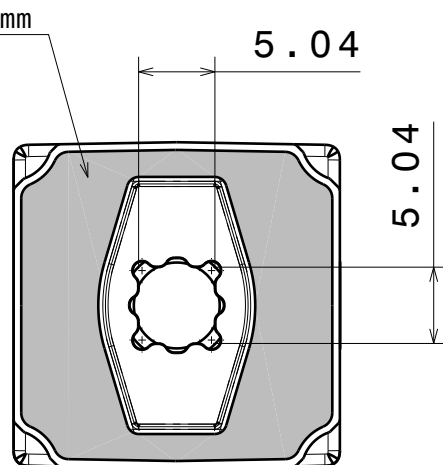


21.57

21.57

Top view

PU foam tape 0.4mm



5.04

5.04

Bottom view

2

2

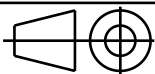
INDEX	PART NO	DESCRIPTION	MATERIAL	COLOUR
1	F11906	ROSE-HLD-CXM-WHT	PC	white
2	-	ROSE-CXM lens	PC	

Tolerances if not otherwise shown
According to DIN ISO 2768-1
Linear measures:
Up to 30mm class M, otherwise class C.
According to DIN ISO 2768-2
Form and position: class L

LEDiL

Ledil Oy
Salorankatu 10
FIN 24240 SALO
Finland

THIRD ANGLE PROJECTION:



DRAWING TITLE

ROSE-CXM series

This drawing is the property
of LEDiL Oy. It may not be
reproduced, copied or
communicated without a written
agreement with LEDiL Oy.

SIZE PART NUMBER

A4

-

SCALE	2:1	WEIGHT	4,5 g	SHEET	1/1
-------	-----	--------	-------	-------	-----

D

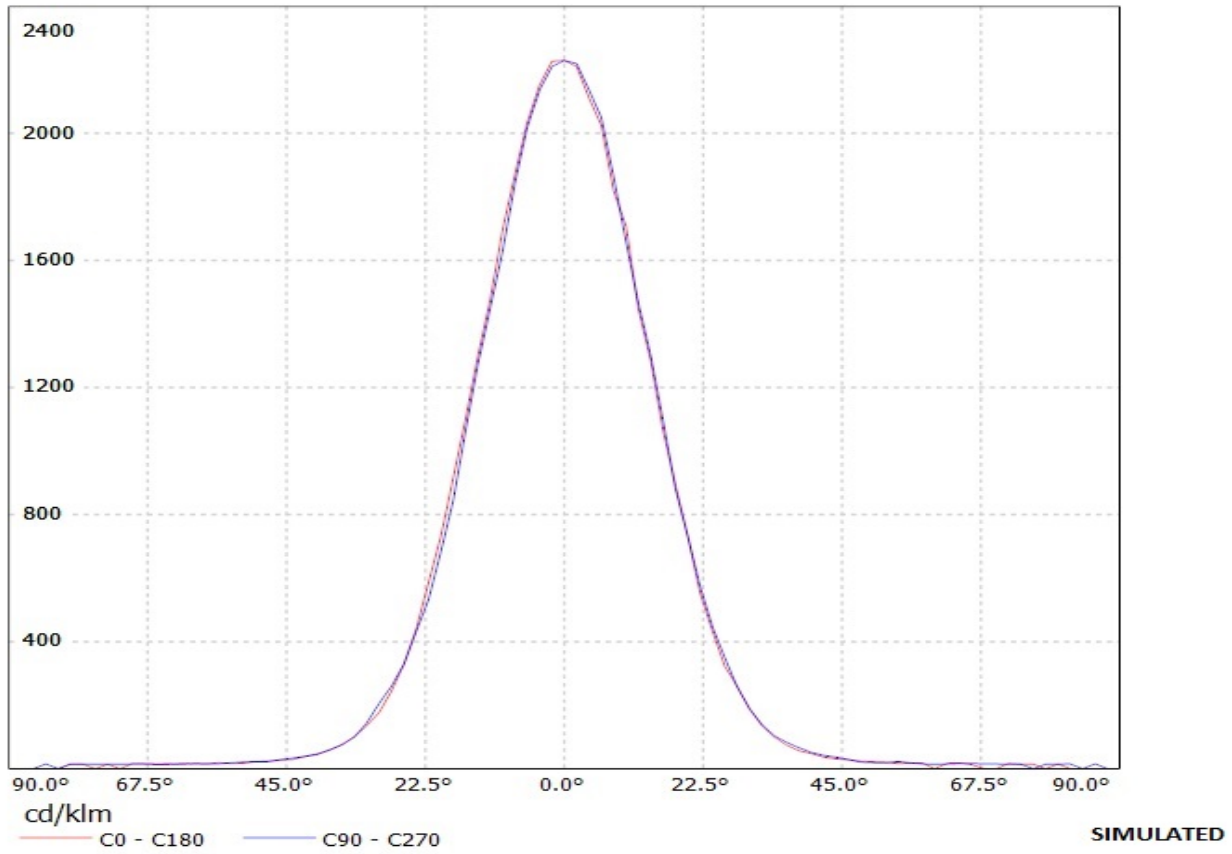
A

1

1

Ledil Oy FA11911_CXM-M-BLK (Cree XM-L) LOR=82% / LDC (Linear)

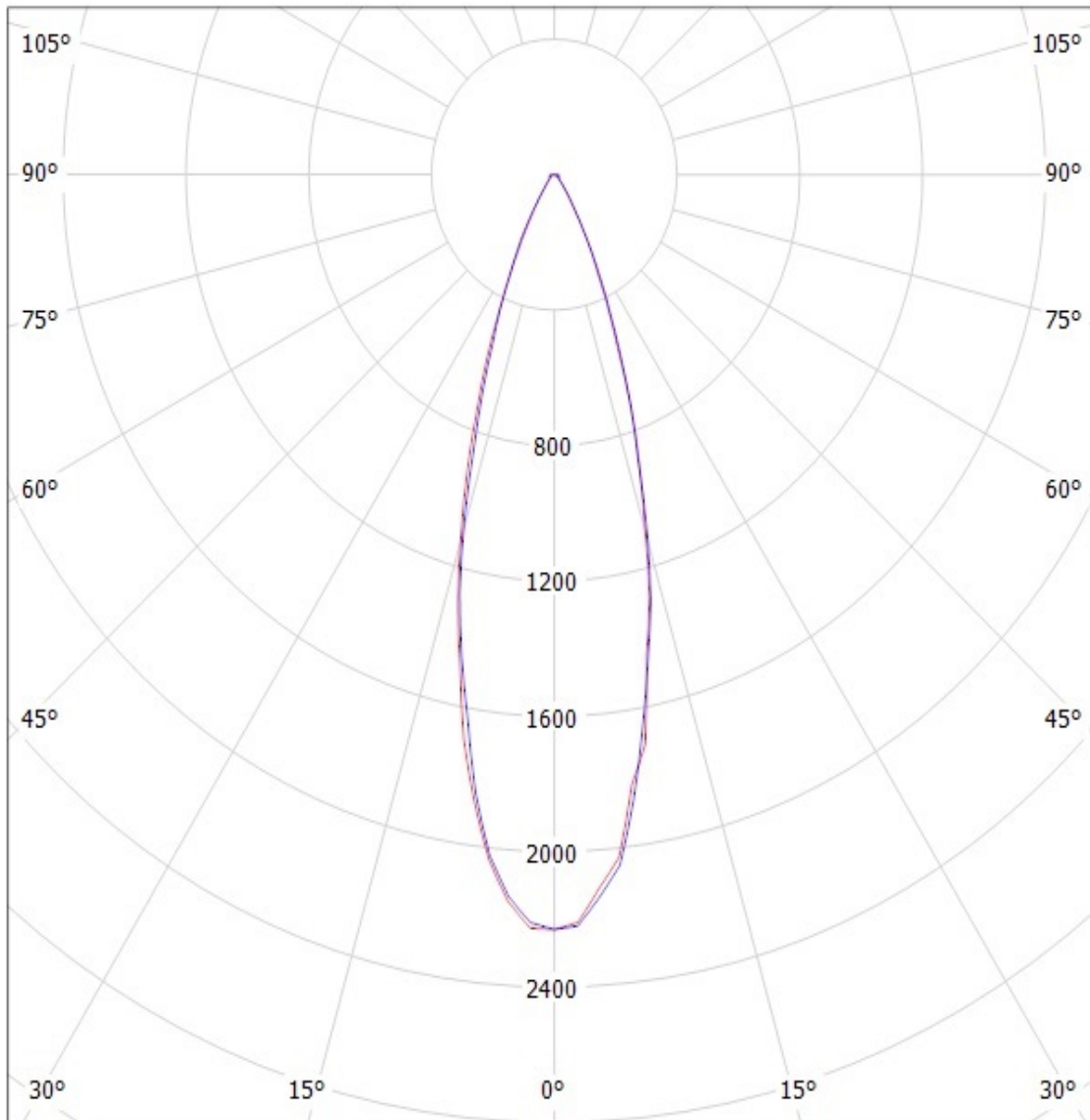
Luminaire: Ledil Oy FA11911_CXM-M-BLK (Cree XM-L) LOR=82%
Lamps: 1 x Cree XM-L 93lm @ 250mA



Ledil Oy FA11911_CXM-M-BLK (Cree XM-L) LOR=82% / LDC (Polar)

Luminaire: Ledil Oy FA11911_CXM-M-BLK (Cree XM-L) LOR=82%

Lamps: 1 x Cree XM-L 93lm @ 250mA



cd/klm

— C0 - C180 — C90 - C270

SIMULATED

NOTE: The typical divergence will be changed by different color, chip size and chip position tolerance. The typical total divergence is the full angle measured where the luminous intensity is half of the peak value.