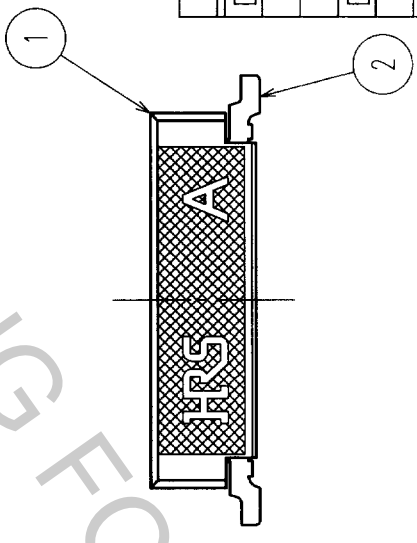
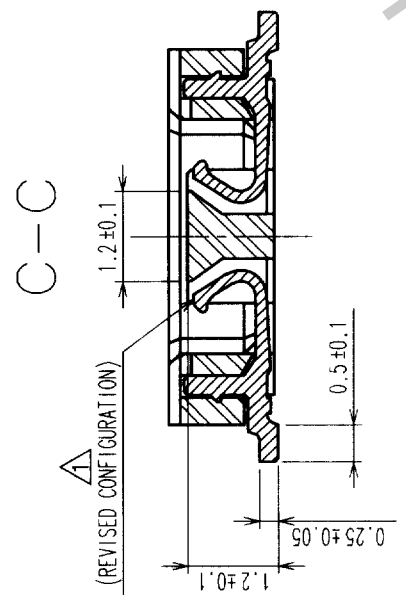
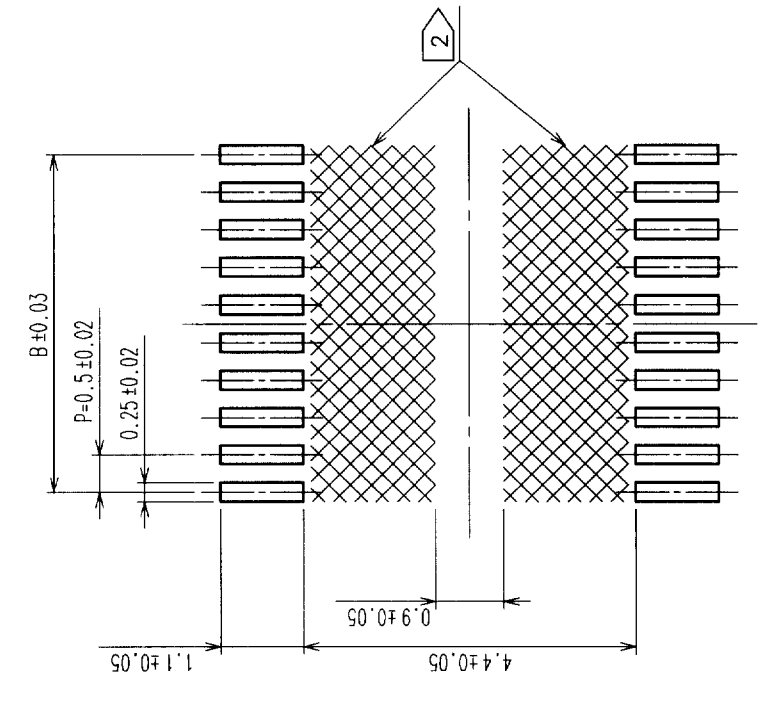


COUNT	DESCRIPTION OF REVISIONS	BY	CHKD	DATE	COUNT	DESCRIPTION OF REVISIONS	BY	CHKD	DATE
7	RE-H-04872	T.G.K.A		02.02.13					

# RECOMMENDED PATTERN



PART NO.	CODE NO.	NUMBER OF CONTACT	A	B
DF23C-10DS-0.5V(53)	CL688-0306-9-53	10	5.1	2.0
DF23C-18DS-0.5V(53)	CL688-0308-4-53	18	7.1	4.0

NOTES1: LEAD CO-PLANARITY SHALL BE 0.1 mm MAX.  
 [2] WHEN A PART MARKED WITH HAS A PATTERN BUT NO RESIST ON IT, TAKE CARE TO PREVENT THE CONNECTOR FROM TOUCHING IT.

NO.	MATERIAL	FINISH, REMARKS	NO.	MATERIAL	FINISH, REMARKS
2	PHOSPHOR BRONZE	GOLD PLATED	4	POLYESTER	CLEAR
1	LCP	BLACK, UL94V-0	3	PS	CLEAR

CODE NO. (OLD)	DRAWN	DESIGNED	CHECKED	APPROVED	RELEASED
	T.Goi	T.Goi	K.Akiyama	K.Katayose	
	'01. 5.26	'01. 5.26	'01. 5.31	'01. 5.31	

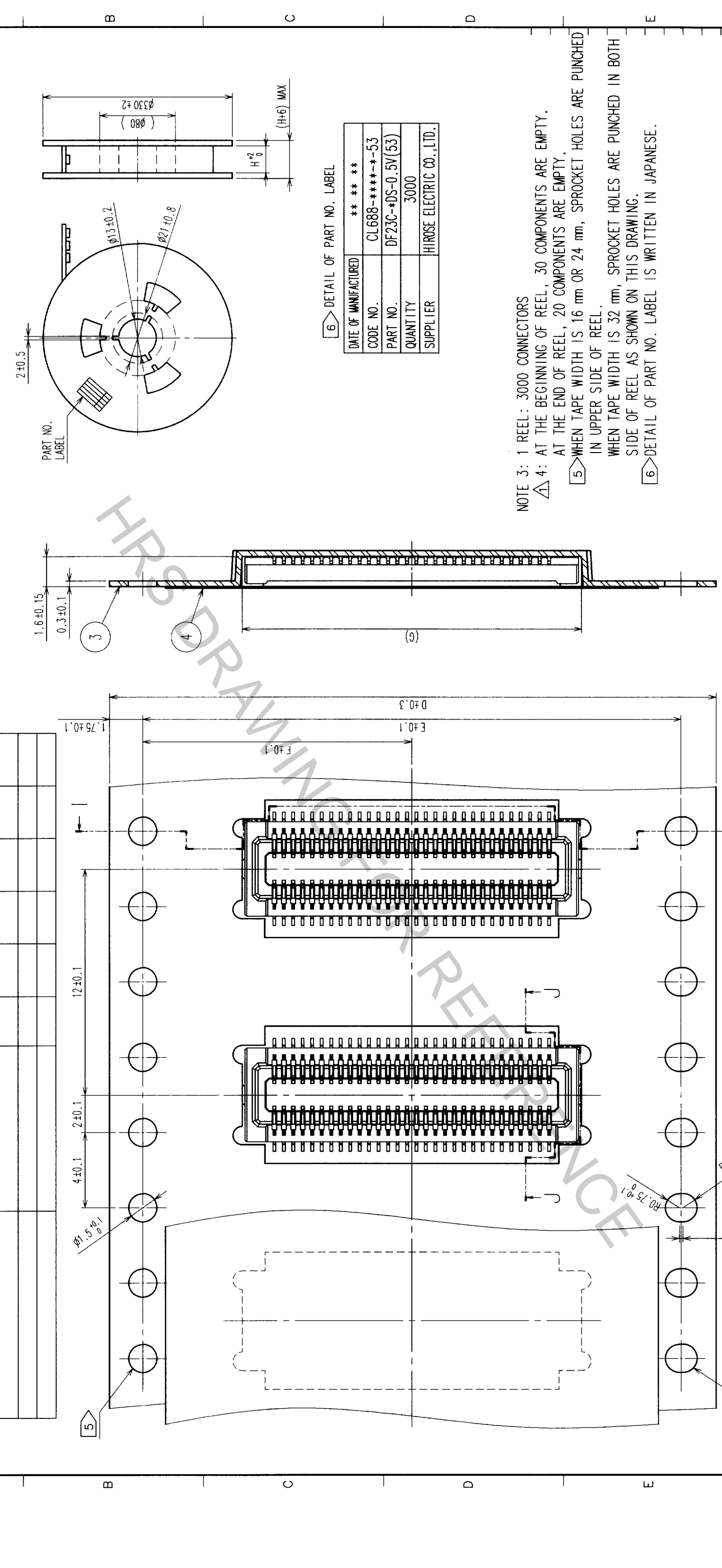
DRAWING NO.	EDC3-163543-03	PART NO.	DF23C-*DS-0.5V(53)
SCALE	10 : 1	CODE NO.	CL688-
UNITS	mm		

TO	

PART NO.	CODE NO.	NUMBER OF CONTACT	D	E	F	G	H
DF23C-10DS-0.5V(53)	CL688-0306-9-53	10	16.0	-	7.5	5.4	16.4
DF23C-18DS-0.5V(53)	CL688-0308-4-53	18	16.0	-	7.5	7.4	16.4

COUNT	DESCRIPTION OF REVISIONS	BY	CHKD	DATE	COUNT	DESCRIPTION OF REVISIONS	BY	CHKD	DATE

STYLE AND DIMENSIONS OF REEL(FREE)



DETAIL OF PART NO. LABEL

DATE OF MANUFACTURED	*** ** *
CODE NO.	CL688-****-53
PART NO.	DF23C-DS-0.5V(53)
QUANTITY	3000
SUPPLIER	HIROSE ELECTRIC CO., LTD.

NOTE 3: 1 REEL: 3000 CONNECTORS  
 △ 4: AT THE BEGINNING OF REEL, 30 COMPONENTS ARE EMPTY.  
 AT THE END OF REEL, 20 COMPONENTS ARE EMPTY.  
 [5] WHEN TAPE WIDTH IS 16 mm OR 24 mm, SPROCKET HOLES ARE PUNCHED IN UPPER SIDE OF REEL.  
 WHEN TAPE WIDTH IS 32 mm, SPROCKET HOLES ARE PUNCHED IN BOTH SIDE OF REEL AS SHOWN ON THIS DRAWING.  
 [6] DETAIL OF PART NO. LABEL IS WRITTEN IN JAPANESE.

DIRECTION OF UNREELING

TO

SCALE 5 : 1

UNITS mm

CODE NO. (OLD)

DRAWING NO. EDC3-163543-03

PART NO. DF23C-DS-0.5V(53)

DESIGNED T. Goi

CHECKED K. Akiyama

APPROVED K. Katayose

RELEASED

CL688-