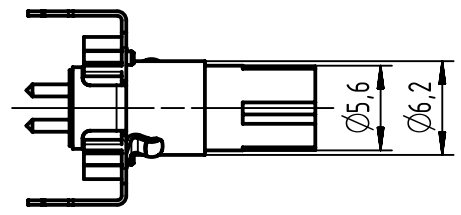
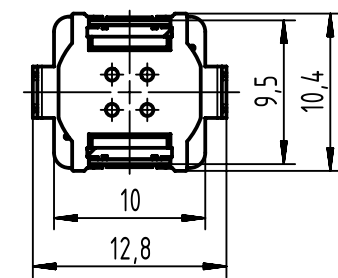
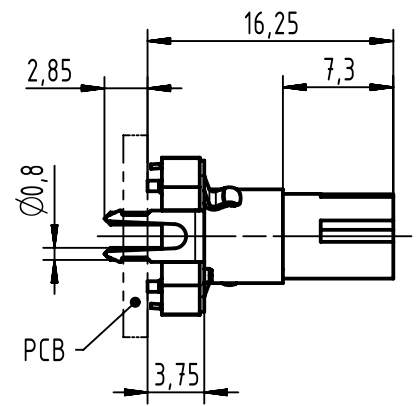
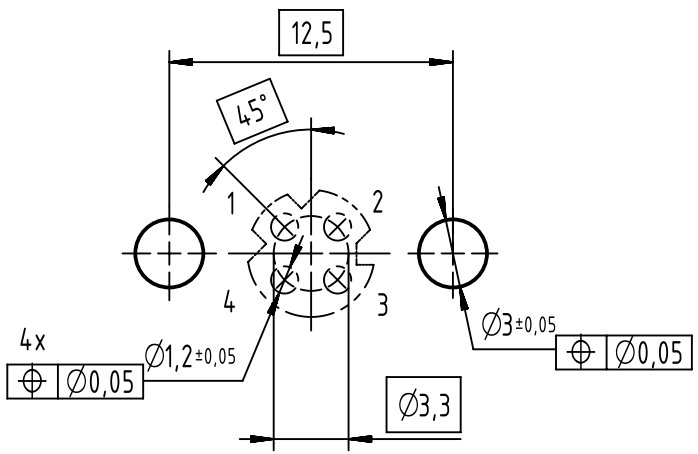


contact face acc. to IEC 61076-2-114

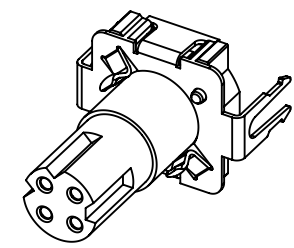


PCB layout (3:1)



-25 pcs. package

recommended PCB thickness: 1.6mm



	All Dimensions in mm Original Size DIN A4		Scale 2:1	Free size tol.		Ref.	
	All rights reserved Department EC PD - DE		Created by DYCKC	Inspected by EISFELD	Standardisation KOHLER	Sub.	
HARTING Electronics GmbH D-32339 Espelkamp		Title M8-PCB-THT-2PC-4P-DCOD-F-STR-SHLD				Date 2017-03-28	State Final Release
		Type TB				Number 21420000006	Doc-Key / ECM-Nr. 100715520/UGD/000/A 500000117273
						Rev. A	Page 1/1