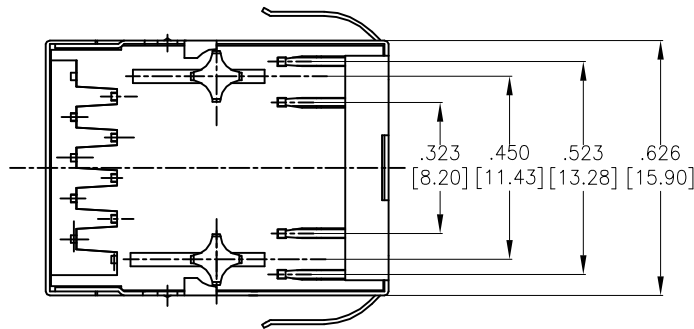
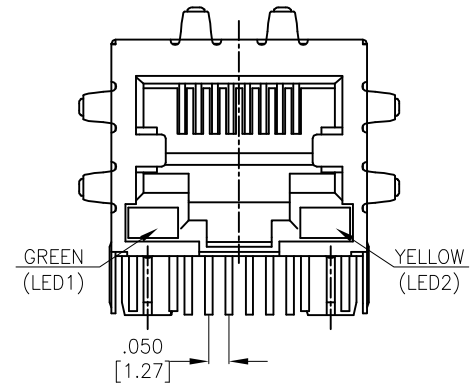
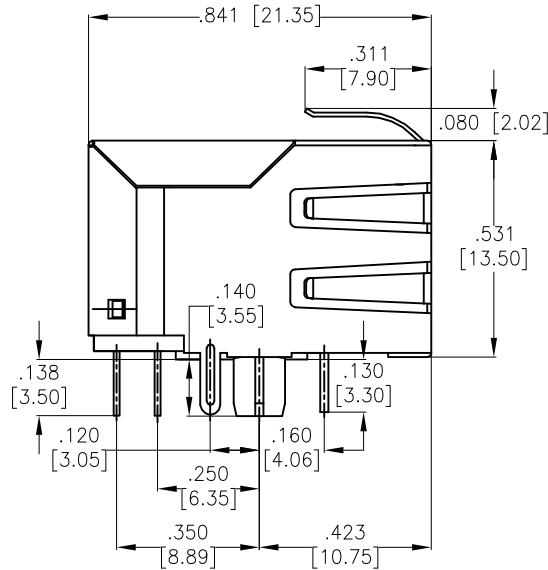
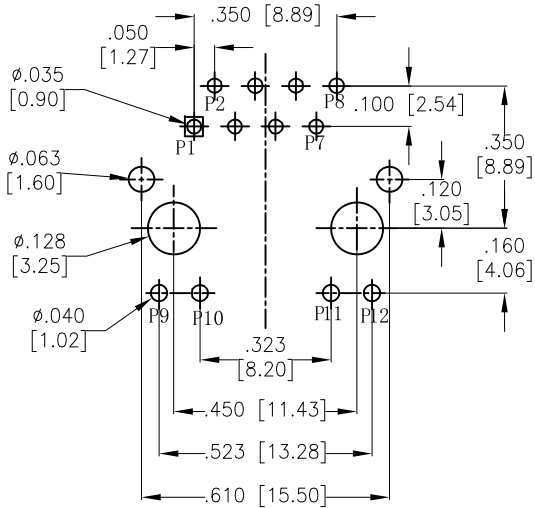


APPROVED: \_\_\_\_\_  
 DATE: \_\_\_\_\_ TITLE: \_\_\_\_\_

Rev	AWO #	Description	Date	Appr
-		RELEASED	5/21/12	
A		UPDATED DRAWING	11/1/16	HR/AT



X	PLATING
0	15 $\mu$ m Gold
1	30 $\mu$ m Gold
2	50 $\mu$ m Gold
6	6 $\mu$ m Gold

**SPECIFICATIONS:**

Material:  
 Insulator: Thermoplastic, rated UL 94V-0  
 Insulator color: Black  
 Contacts: Copper Alloy  
 Shield: Copper Alloy, Nickel plated  
 Plating:  
 Round contact  
 Gold over Nickel underplate overall  
 Flat contact  
 Gold over Nickel underplate on contact area,  
 Tin over Nickel underplate on solder tails  
 (See chart for thickness)

Electrical:  
 Voltage rating: 150 VAC  
 Contact resistance: 20 mohms max  
 Insulation resistance: 500 Mohms min  
 Dielectric withstanding voltage: 1500VAC or 2250VDC  
 Temperature Rating:  
 Operating temperature: 0°C to +70°C  
 Environmental:  
 Lead free, RoHS compliant.



UNLESS OTHERWISE SPECIFIED  
 ALL DIMENSIONS ARE INCHES [MM]  
 TOLERANCES: EXCEPT AS NOTED

INCHES		HOLES	
.X	$\pm$ .10	$\phi$ .X	$\pm$ .10
.XX	$\pm$ .020	$\phi$ .XX	$\pm$ .015
.XXX	$\pm$ .015	$\phi$ .XXX	$\pm$ .010

APPROVALS		DATE
DRAWN	AY	5/21/12
CHECKED	AC	5/21/12
APPROVED		

**ADAM TECH**

909 Rahway Avenue, Union, NJ 07083  
 Phone: 908-687-5000 Fax: 908-687-5710

TITLE  
 MODULAR JACK GANGED, 1 PORT, 8P8C  
 W/ LED1 GREEN, LED 2 YELLOW

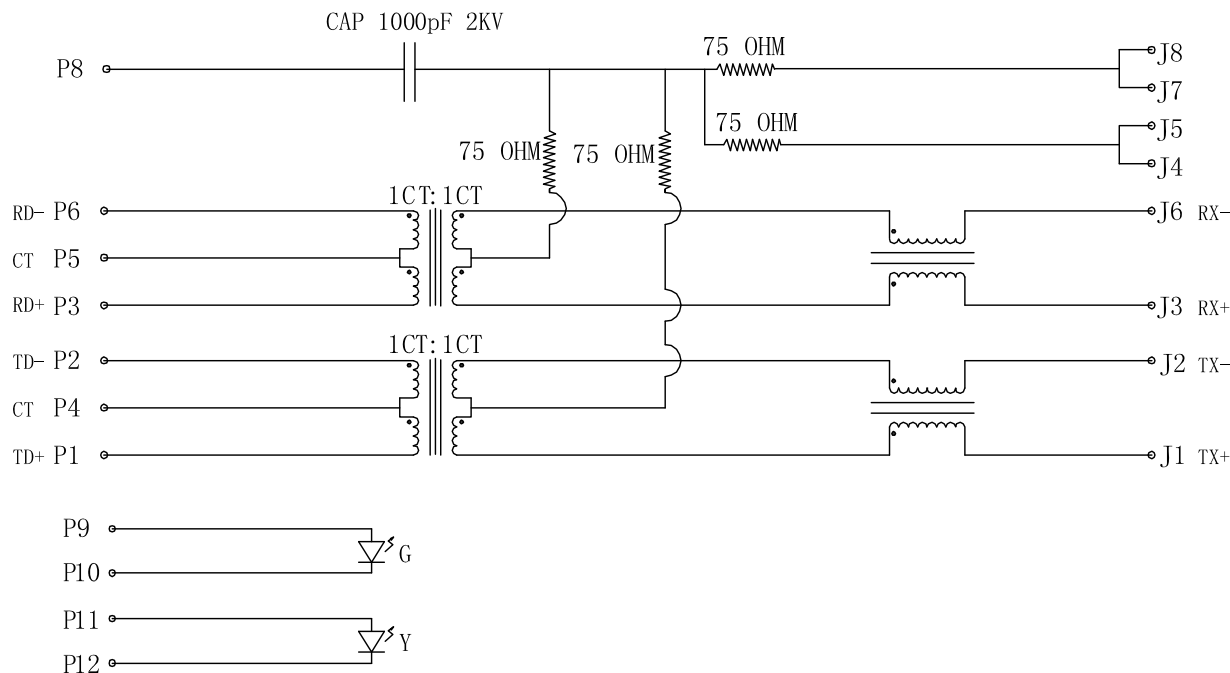
SIZE	PART NO.	REV.
X	MTJ-88TX1-FSD-PG-LH-M4	A
REF:	S00005C	SCALE: NTS
		SHEET 1 OF 2

APPROVED: \_\_\_\_\_

DATE: \_\_\_\_\_ TITLE: \_\_\_\_\_

Rev	AWO #	Description	Date	Apr
-----	-------	-------------	------	-----

SEE SHT 1 OF 2 FOR REVISION



ELECTRICAL SPECIFICATIONS:

- Turns Ratio: (P1 ~ P2) : (J1 ~ J2) 1:1 ±3%  
(P3 ~ P6) : (J3 ~ J6) 1:1 ±3%
- Inductance: (P1 ~ P2) and (P3 ~ P6) 350uH min. @ 0.1V, 100KHZ, 8mA DC Bias
- Leakage Inductance: P1 ~ P2 (with J1 and J2 Short): 0.35uH Max @ 1 MHZ  
P3 ~ P6 (with J3 and J6 Short): 0.35uH Max @ 1 MHZ
- Interwinding Capacitance: (P1 ~ P2) : (J1 ~ J2): 35pF Max. @ 1MHZ  
(P3 ~ P6) : (J3 ~ J6): 35pF Max @ 1MHZ
- DC Resistance:(J1 ~ J2):(J3 ~ J6) :1.2 Ohms Max
- Return Loss: 1MHZ to 30MHZ: -18dB Min  
30MHZ to 60MHZ: -(18-20log(f/30))dB Min (whrer f is in MHZ)  
60MHZ to 80MHZ: -12dB Min
- Dielectric Withstanding: (P1~P2) : (J1~J2) : 1500VAC or 2250VDC  
(P3~P6) : (J3~J6) : 1500VAC or 2250VDC
- Insertion Loss: 1MHZ TO 100MHZ : -1.2dB Max
- Cross Talk: 1MHZ to 100MHZ: -30dB Min
- Common to Common mode Attenuation 1MHZ to 100MHZ: -30dB Min

UNLESS OTHERWISE SPECIFIED  
ALL DIMENSIONS ARE INCHES [MM]  
TOLERANCES: EXCEPT AS NOTED  
INCHES HOLES

.X ± .10	Ø.X ± .10
.XX ± .020	Ø.XX ± .015
.XXX ± .015	Ø.XXX ± .010

# ADAM TECH

909 Rahway Avenue, Union, NJ 07083  
Phone: 908-687-5000 Fax: 908-687-5710

TITLE: MODULAR JACK GANGED, 1 PORT, 8P8C  
W/ LED1 GREEN, LED 2 YELLOW

APPROVALS		DATE
DRAWN	AY	5/21/12
CHECKED	AC	5/21/12
APPROVED		

SIZE	PART NO.	REV.
X	MTJ-88TX1-FSD-PG-LH-M4	A
REF: S00005C	SCALE: NTS	SHEET 2 OF 2