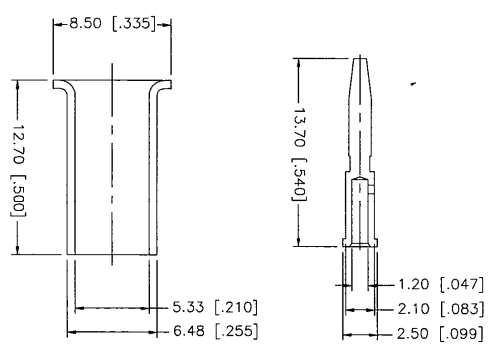
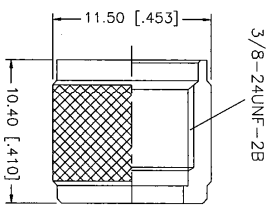
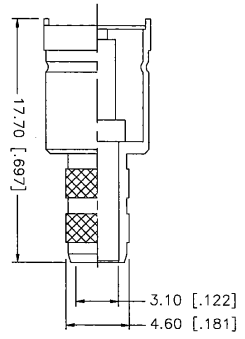
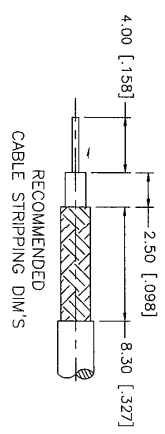


REV	DATE	DESCRIPTION
NC	01/17/00	INITIAL RELEASE
A	08/02/06	UPDATE DRAWING FORMAT



NOTE:
 1. CRIMPED FERRULE HEX CRIMP SIZE .213"
 2. CRIMPED CONTACT PIN HEX CRIMP SIZE .068"

DESCRIPTION	MATERIAL	FINISH	QTY	DC NOT SCALE DRAWING	CAD FILE	PMC NO.	REV	SIZE	SCALE
8									
7									
6									
5									
4	FERRULE	COPPER	1						
3	CONTACT PIN	BRASS	1						
2	INSULATOR	TEFLON	1						
1	BODY	BRASS	1						

APPROVALS	DATE
DESIGN G.R.S.	08/02/06

PART DESCRIPTION	PART NO.
MINI-UHF CRIMP PLUG (FOR LMR 200 CABLE)	182314

CAD FILE	PMC NO.	REV	SIZE	SCALE
C:/182/182314.DWG	182314.DWG	A	A	NA

Amphenol Connex

UNLESS OTHERWISE SPECIFIED DIMENSIONS ARE IN MILLIMETERS (IN PARENTHESES).
 UNLESS OTHERWISE SPECIFIED:
 DIMENSIONS FOR UNFINISHED ARE:
 B ± .30mm ± 0.40mm
 30 - 120mm ± 0.50mm
 UNLESS OTHERWISE SPECIFIED:
 DIMENSIONS FOR FINISHED ARE:
 .315 - 1.180 ± .0015"
 1.180 - 4.724 ± .0020"
 DO NOT SCALE DRAWING