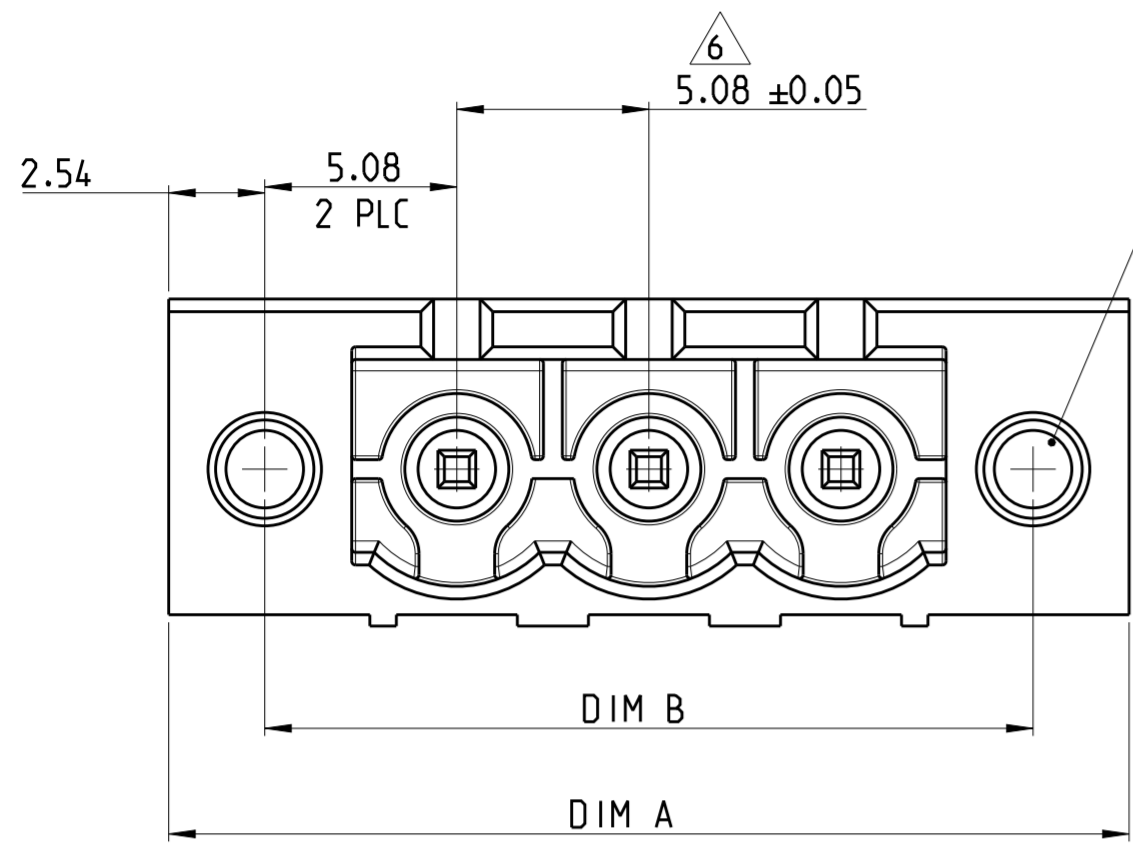


THIS DRAWING IS UNPUBLISHED. RELEASED FOR PUBLICATION 20
 © COPYRIGHT 20 BY - ALL RIGHTS RESERVED.

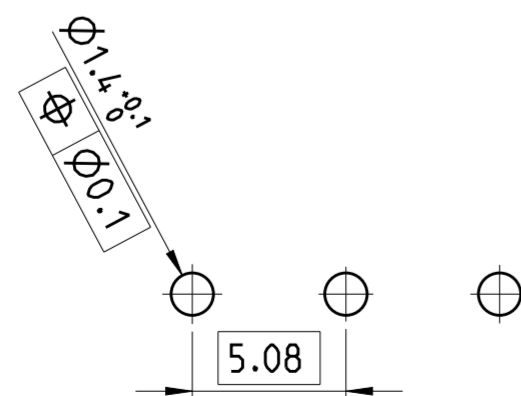
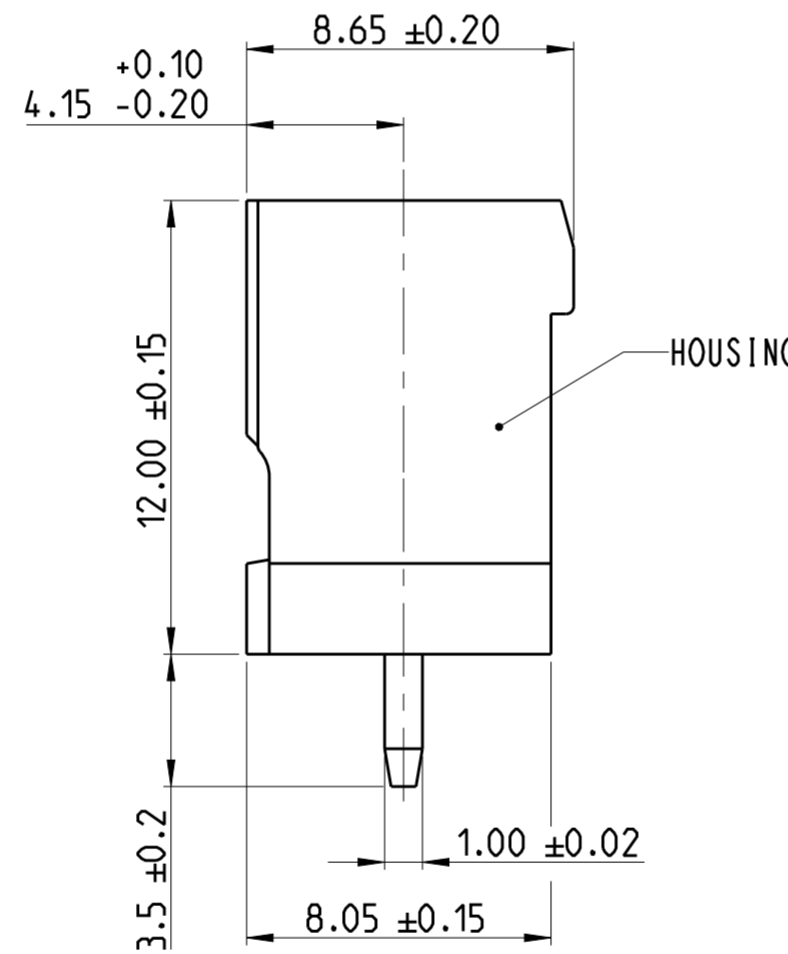
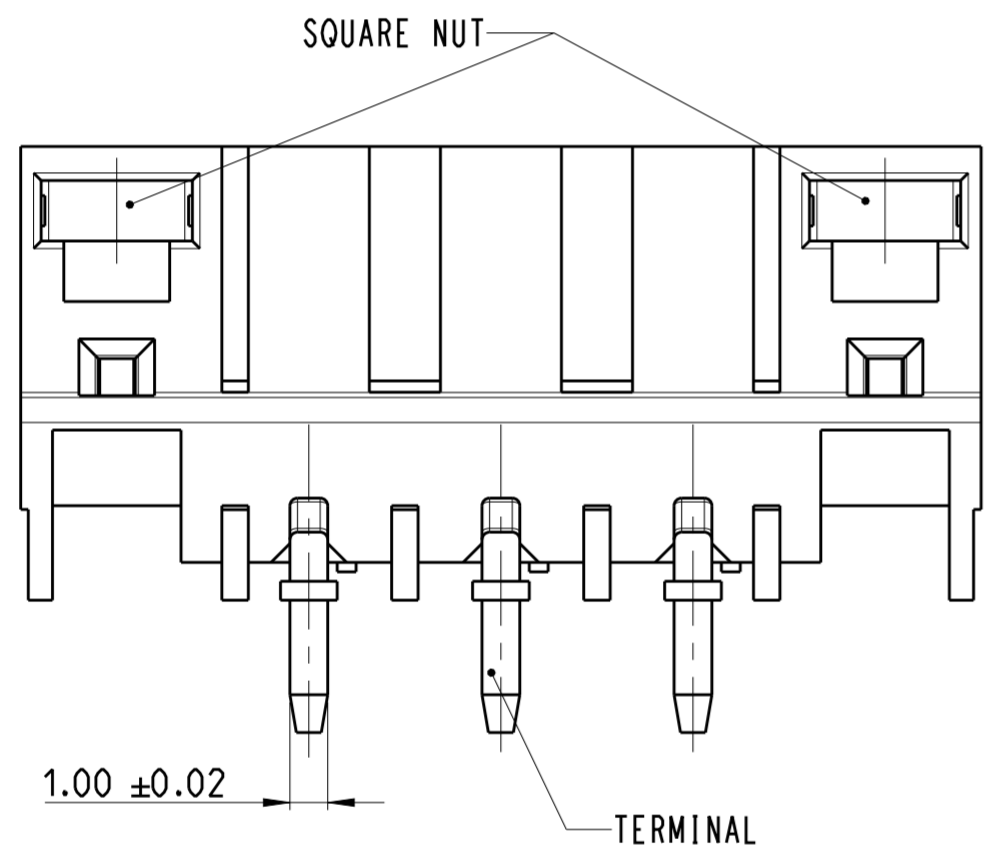
REVISIONS					
P	LTR	DESCRIPTION	DATE	DWN	APVD
4		SQUARE NUT PART INFORMATION ADDED	17MAY2018	RK	PS

NOTES:

- 1 MATERIALS:
 HOUSING: HIGH TEMPERATURE PA 6-6. UL 94V-0. COLOR: BLACK
 TERMINAL: PHOSPHOR BRONZE, TIN PLATED
 SQUARE NUT: BRASS, NICKEL PLATED.
- 2. MECHANICAL
 MAX. INSERTION FORCE PER POLE : 3.0 N
 MIN. WITHDRAWAL FORCE PER POLE : 1.5 N
 MIN. PC BOARD HOLES DIAMETER : 1.4 mm
 MAX. PC BOARD THICKNESS : 2.4 mm
- 3. ELECTRICAL
 WIRE RANGE : 12-30 AWG
 MAX. VOLTAGE : 300 V
 MAX CURRENT : 15 A
 CONTACT RESISTANCE : <15 m Ohm
 INSULATION RESISTANCE : >1000 M Ohm (500V DC)
- 4. OPERATING TEMPERATURE RANGE: -40 °C TO +110 °C
- 5. RECOGNIZED UNDER THE COMPONENT PROGRAM OF UNDERWRITERS LABORATORIES INC. FILE NO. E60677.
- 6 NOT CUMULATIVE TOLERANCE.
- 7. TE LOGO TO APPEAR ON HOUSING. LOCATION OPTIONAL WHERE SPACE PERMITS.



THIS PRINT IS
PRELIMINARY
 UNQUALIFIED PRODUCT
 CONTACT PRODUCT ENGINEERING
 BEFORE USING THIS PRINT



RECOMMENDED PC BOARD LAYOUT

OBSELETE	TAPE AND REEL	20.32	25.40	3	2-1986479-3
	STANDARD	60.96	71.12	12	1-1986479-2
		55.88	66.04	11	1-1986479-1
		50.80	60.96	10	1-1986479-0
		45.72	55.88	9	1986479-9
		40.64	50.80	8	1986479-8
		35.56	45.72	7	1986479-7
		30.48	40.64	6	1986479-6
		25.40	35.56	5	1986479-5
		20.32	30.48	4	1986479-4
		15.24	25.40	3	1986479-3
	10.16	20.32	2	1986479-2	
PACKAGING		DIM B	DIM A	NO OF POS	PART NUMBER

THIS DRAWING IS A CONTROLLED DOCUMENT. DWN S. SCHLEGEL 10DEC2008
 CHK C. RICHARD 10DEC2008
 APVD C. RICHARD 10DEC2008

STE TE Connectivity

NAME: TERMINAL BLOCK HEADER ASSY, VERTICAL W/ LOCKING SCREW, FLG 5.08mm HIGH TEMP

SIZE: A2 CAGE CODE: 00779 DRAWING NO: C-1986479 RESTRICTED TO: -

MATERIAL: 1 TOLERANCES UNLESS OTHERWISE SPECIFIED: 1

CUSTOMER DRAWING SCALE: 5:1 SHEET: 1 OF 1 REV: 4