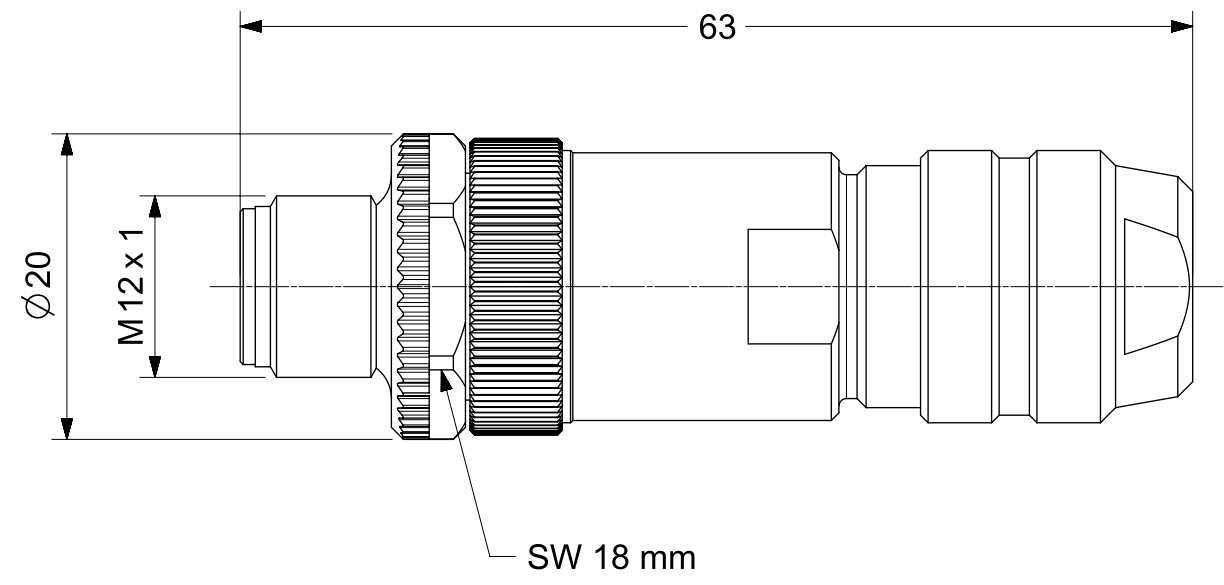
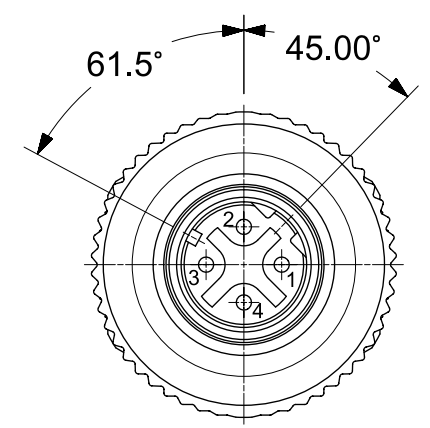
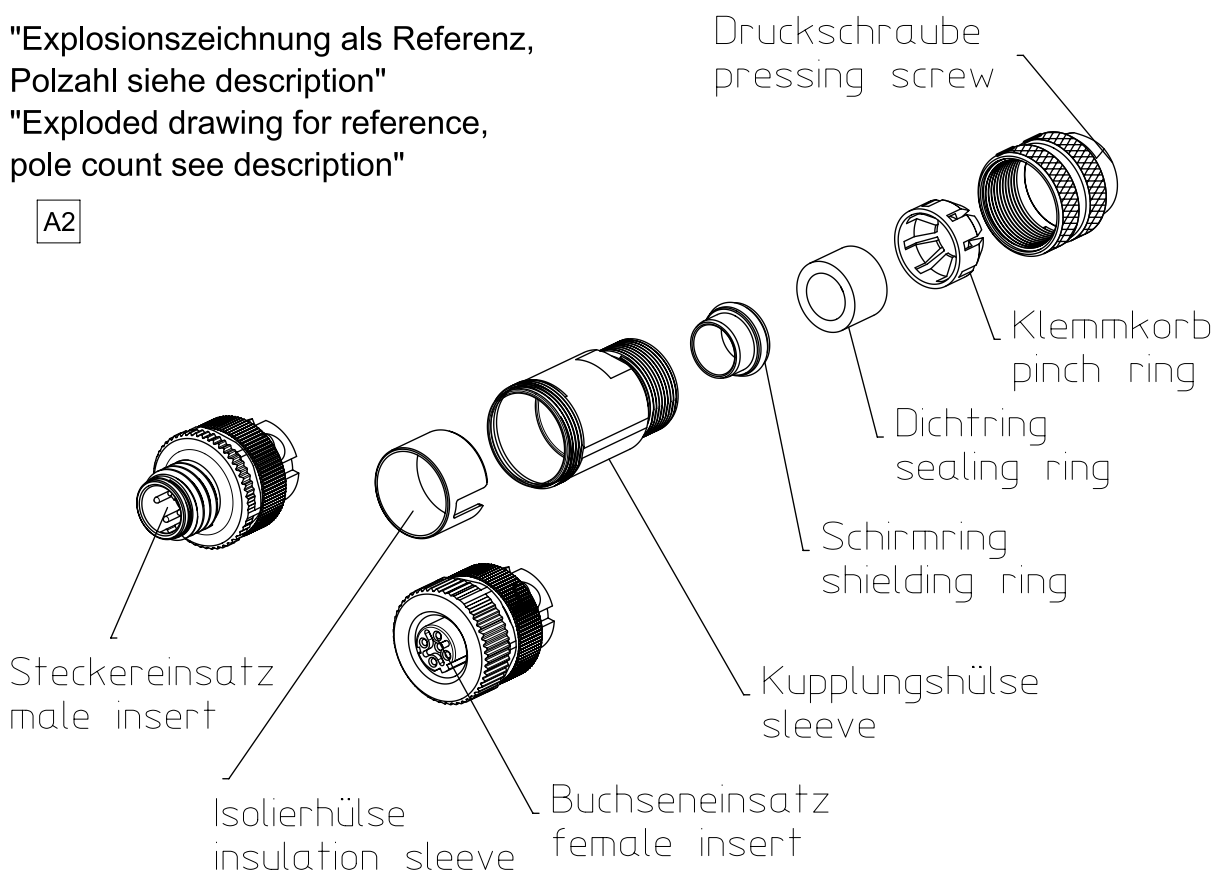


"Explosionszeichnung als Referenz,
Polzahl siehe description"
"Exploded drawing for reference,
pole count see description"

A2



NOTES:

1. LOCKING SYSTEM: SCREW
WIRE GAUGE: 0.75mm²
CABLE OUTLET: 6 - 8mm
2. ELECTRICAL DATA:
CURRENT RATING: 4A
VOLTAGE RATING: 250V
MATING CYCLES: > 100
3. MECHANICAL:
OPERATING TEMP.: -40°C - 85°C
PROTECTION CLASS: IP67
4. MATERIAL:
CONTACT: CuZn (BRASS)
CONTACT PLATING: Au (GOLD)
CONTACT BODY: PA
HOUSING: zinc die cast
COUPLING NUT: CuZn (BRASS)

CHANGES SEE REVISION MARKING A2	NOTES
---------------------------------	-------

ENG.-NO: E1AS06-32

THIS DRAWING CONTAINS INFORMATION THAT IS PROPRIETARY TO MOLEX ELECTRONIC TECHNOLOGIES, LLC AND SHOULD NOT BE USED WITHOUT WRITTEN PERMISSION													
QUALITY SYMBOLS	2016/08/10	2016/08/29	GENERAL TOLERANCES (UNLESS SPECIFIED)		DIMENSION UNITS	SCALE							
			4 PLACES	±	MM	2:1							
▽ _A = 0	107393	LRAMAMURTHY	ANGULAR TOL ± 1.0 °		DRWN BY	DATE	FA M12 ETH 4P DC MA STR SCR SHLD						
▽ _E = 0			2 PLACES	± 0.05	MSCHWARZ	2015/07/06							
▽ _F = 0			3 PLACES	±	CHK'D BY	DATE							
▼ = 0			DRAFT WHERE APPLICABLE MUST REMAIN WITHIN DIMENSIONS		DRAUGHT WHERE APPLICABLE MUST REMAIN WITHIN DIMENSIONS		APPR BY	DATE	PRODUCT CUSTOMER DRAWING				
▽ _C = 0			EC NO:	DRWN:	CHK'D:	APPR:	DRAWING SIZE	THIRD ANGLE PROJECTION	SERIES	MATERIAL NUMBER	CUSTOMER		
⊗ = 0			A2	RSILLER	A3	THIRD ANGLE PROJECTION	130047	1300470035	GENERAL MARKET				
■ = 0	REV		REV		A3		DOCUMENT NUMBER	DOC TYPE	DOC PART	SHEET NUMBER			
▽ _V = 0	A2		REV		A3		1300470035	PSD	000	1 OF 1			

RELEASE STATUS	P1	RELEASE DATE	29.08.2016	14:02:51
----------------	----	--------------	------------	----------