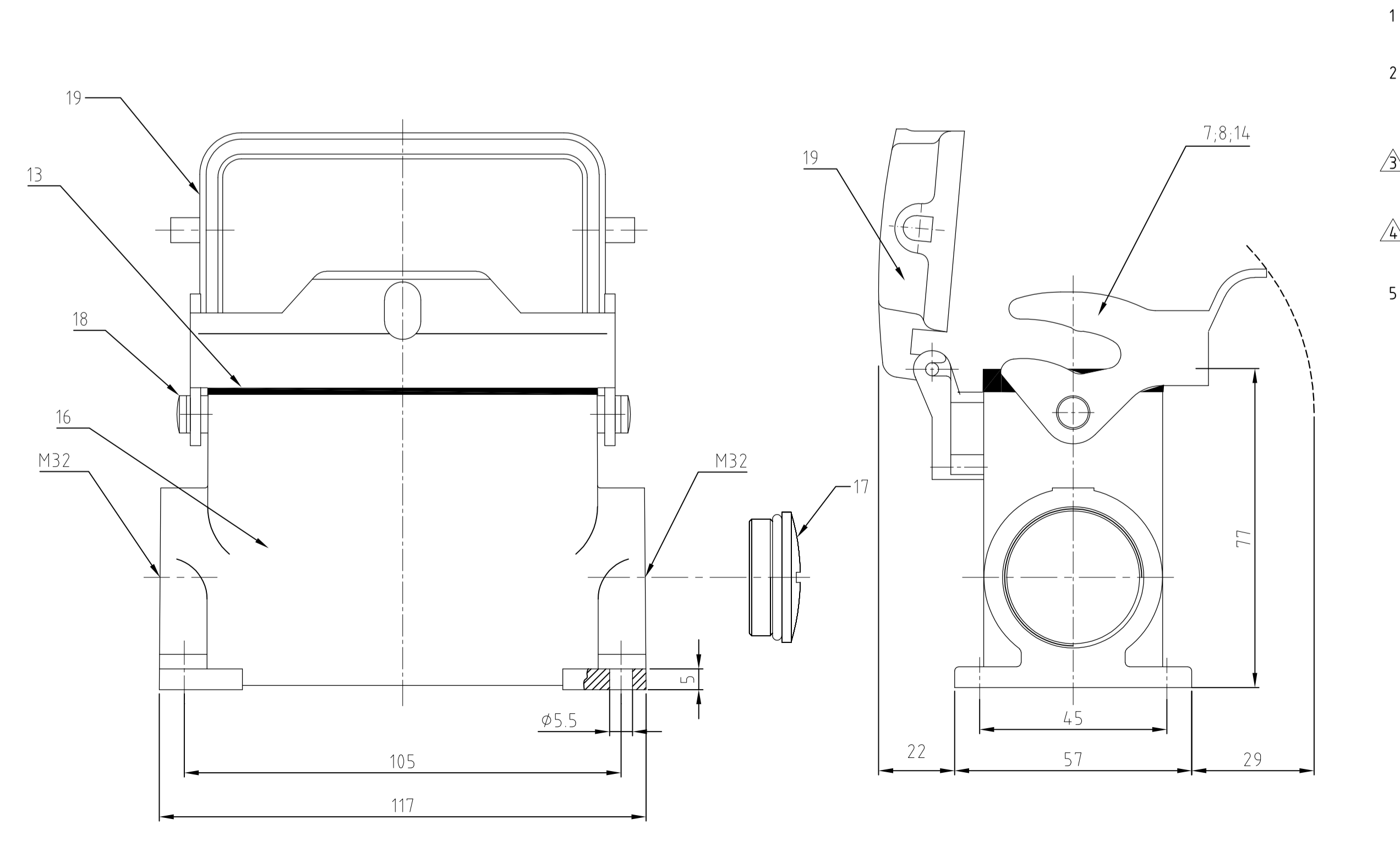
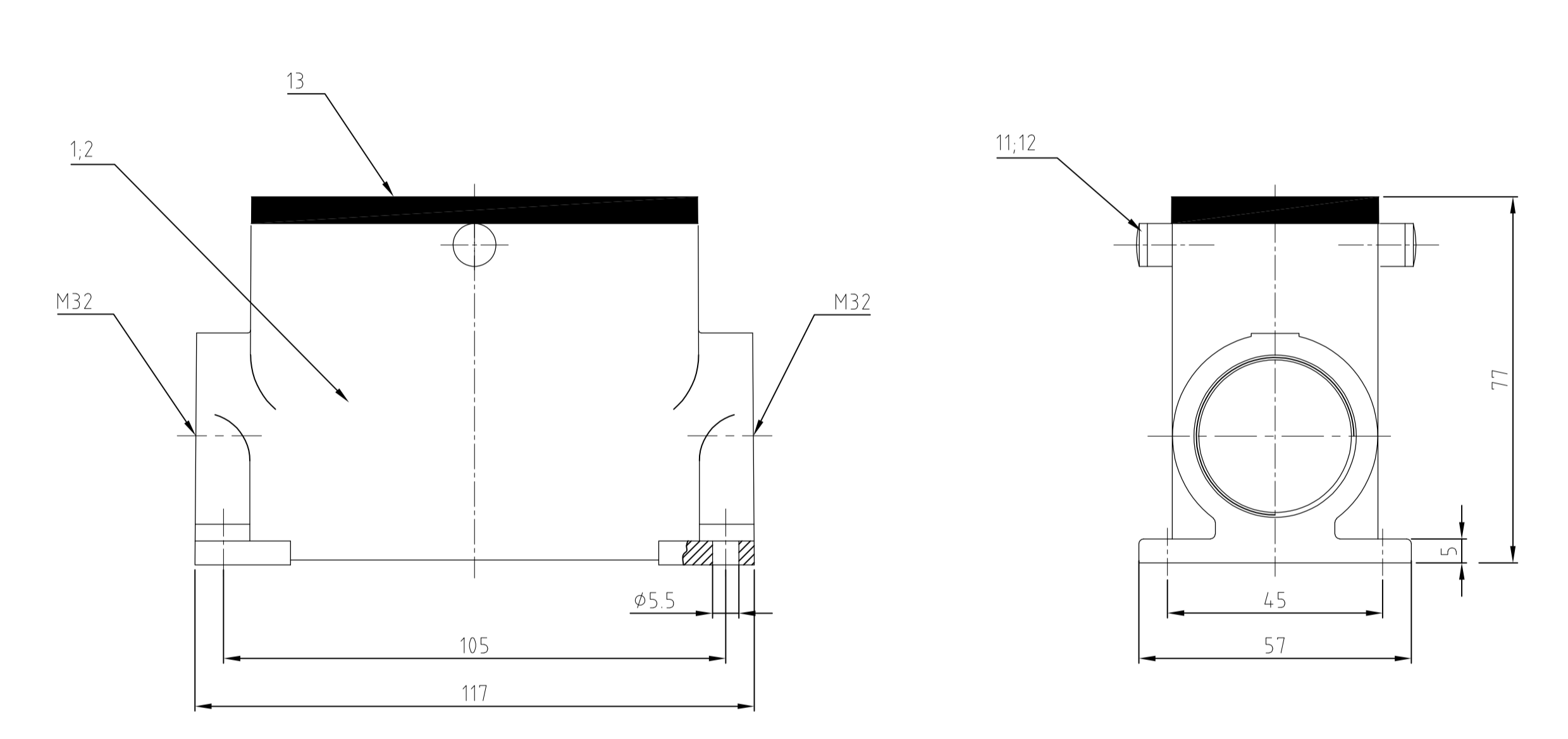
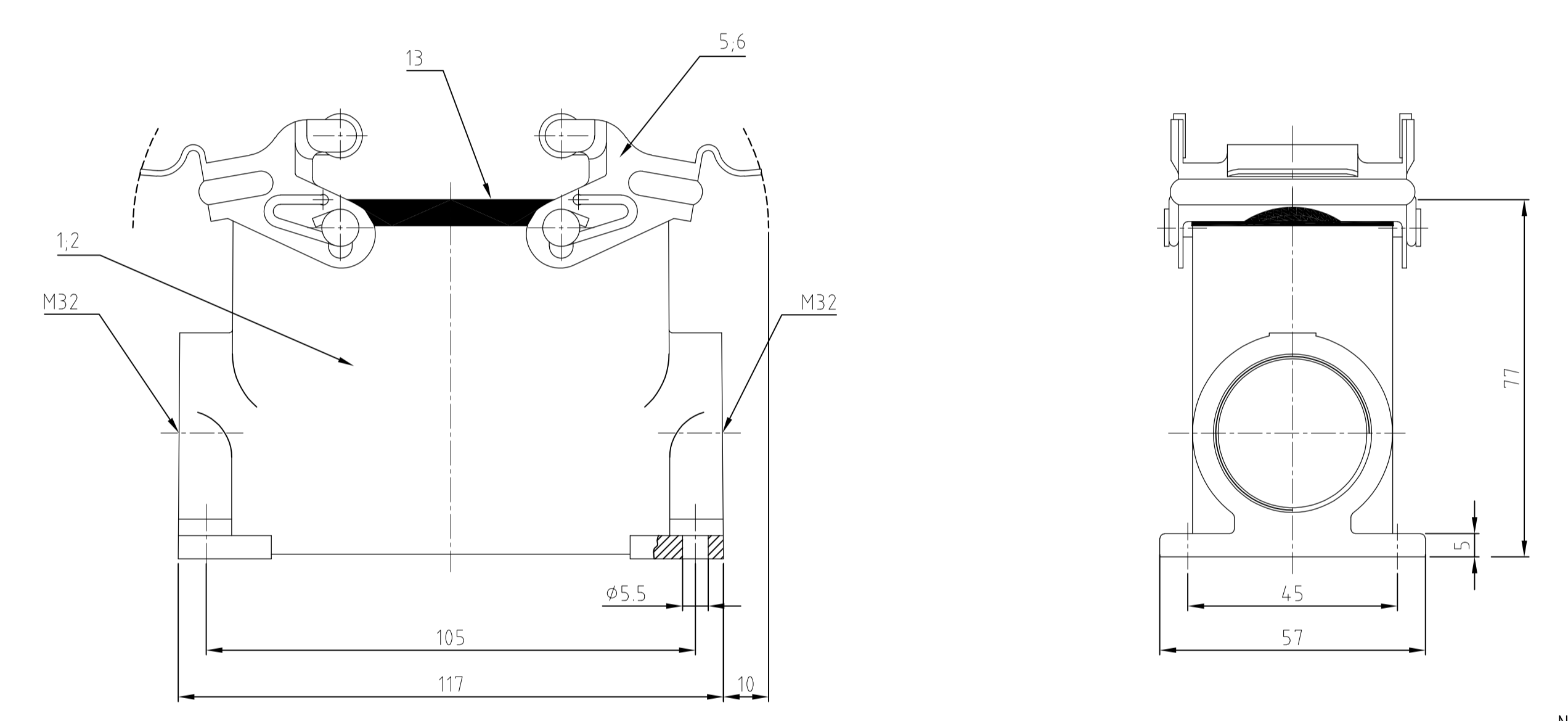
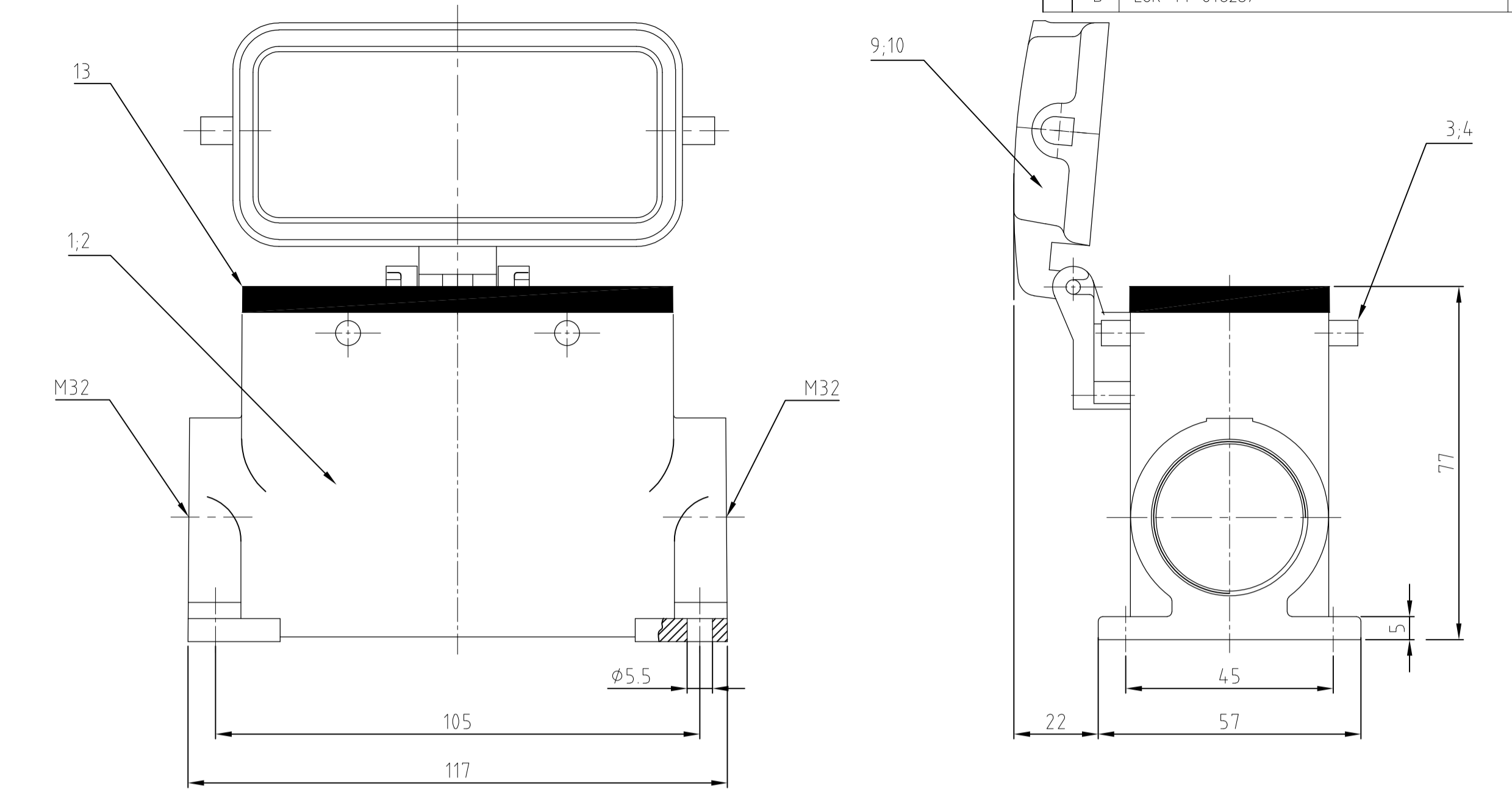
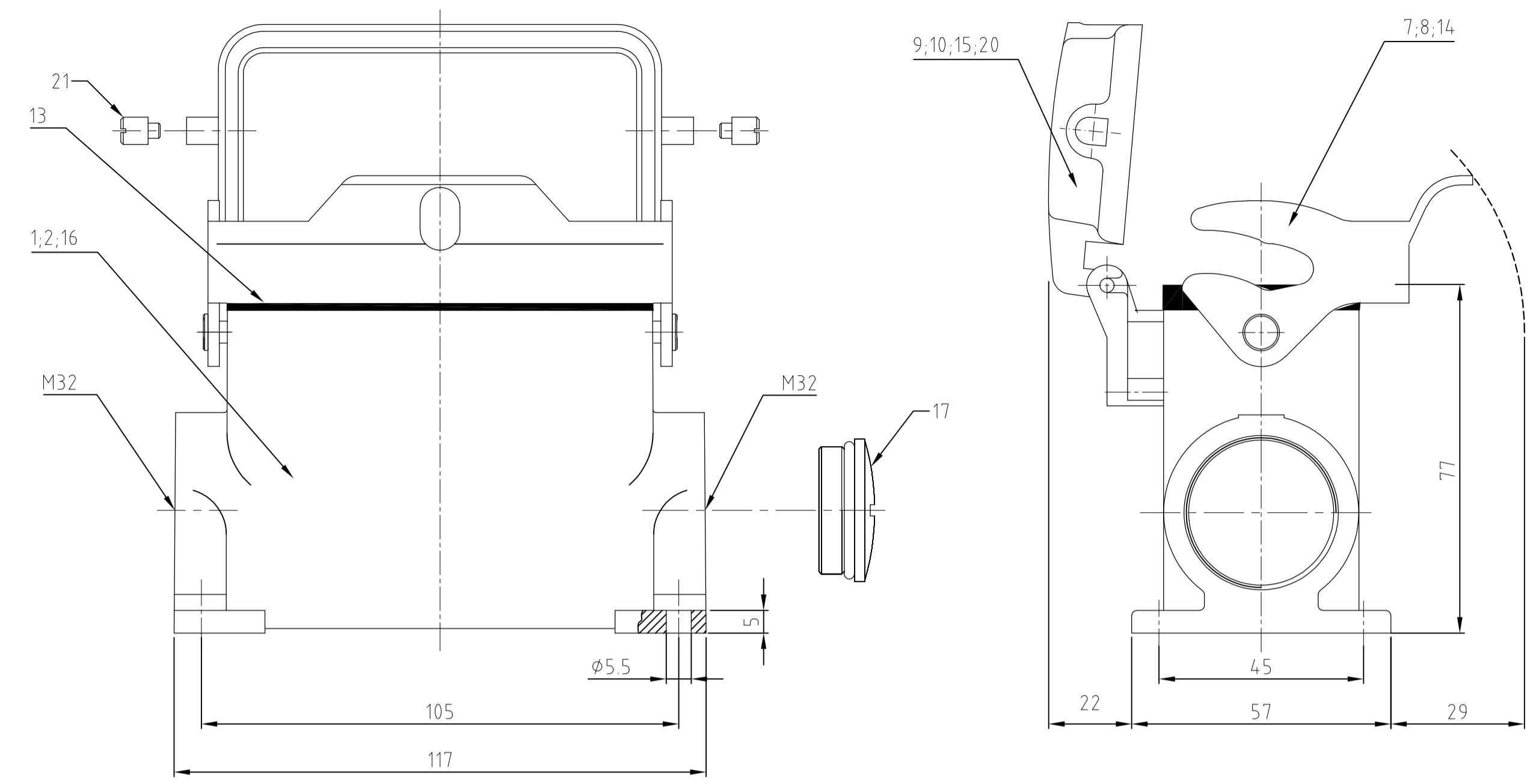


LOC	DIST	REV	DATE	DWN	APVD
A1	-	A6	30.01.08	SR	ST
		B	17NOV14	RK	MKO



- NOTES:
- Material: Housing: aluminium diecasting alloy  
Seals: NEOPRENE
  - SURFACE: VARNISH - GREY  
- ALUMINIUM OXID +  
VARNISH BLACK
  - PACKAGING:  
PACKAGING QUANTITY: 5 PIECES
  - SPECIAL PACKAGING: Krauss-Maffei  
PACKAGING UNIT: 55 PIECES IN Krauss-Maffei-Box
  - VARNISH ON THE INSIDE NOT NECESSARILY

DESCRIPTION	MATERIAL	SURFACE	COLOR	ITEM No.
clip bolt	stainless steel			21
cover	aluminium/ALU	aluminium oxid	black	20
cover	aluminium/ALU		grey	19
clip bolt	steel	zink plated	blue	18
Blanking Piece with Seal	steel		blue	17
Surface mounted housing side entry	aluminium/ALU		grau	16
cover	aluminium/ALU		red	15
Surface mounted housing side entry	aluminium/ALU		red	14
profile seal	Neoprene		black	13
central clip bolt	stainless steel	blank		12
central clip bolt	steel	zink plated	blau/blue	11
cover	aluminium/ALU	aluminium oxid	black	10
cover	aluminium/ALU		grey	9
side clip	stainless steel	blank		8
side clip	steel	zink plated	blue	7
locking clip	stainless steel	blank		6
locking clip	steel	zink plated	blue	5
clip bolt	stainless steel	blank		4
clip bolt	steel	zink plated	blue	3
Surface mounted housing side entry	aluminium/ALU	aluminium oxid	black	2
Surface mounted housing side entry	aluminium/ALU		grey	1

THE DRAWING IS UNPUBLISHED  
 IT IS SUBJECT TO CHANGE AND THE CONTROLLING ENGINEERING  
 DEPARTMENT SHOULD BE CONTACTED FOR THE LATEST REVISION.  
 DIESE ZEICHNUNG UNVERÖFFENTLICHT  
 SIE IST GEGENSTAND VON VERÄNDERUNGEN  
 UND SOLLTE FÜR DIE LETZTE REVISION  
 MIT DEM ZUGBEFUGTEN INGENIEUR  
 VEREINBARTET WERDEN.

DATE: 04.06.02  
 DWN: Schneider  
 CHK: Schneider  
 APVD: Schneider

DESCRIPTION: Surface mounted housing side entry  
 Sockelgehäuse HD.40.SG/SGD.2.M32.Z

SIZE: A1  
 CAGE CODE: 00779  
 DRAWING NO: 1106451

RESTRICTED TO OUR FILES

CUSTOMER DRAWING

SCALE: 1:1

DATE: 17NOV14

BY: RK

APPROVED: MKO