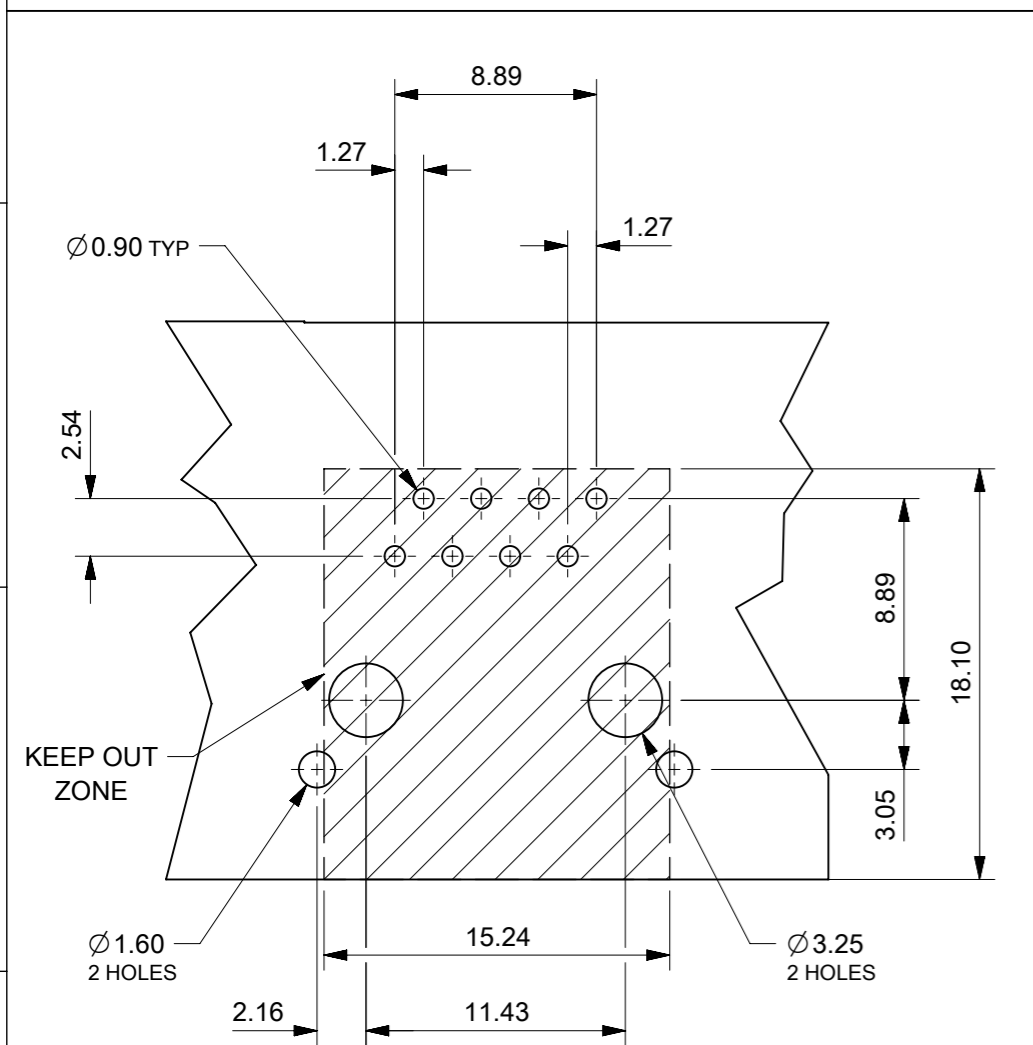
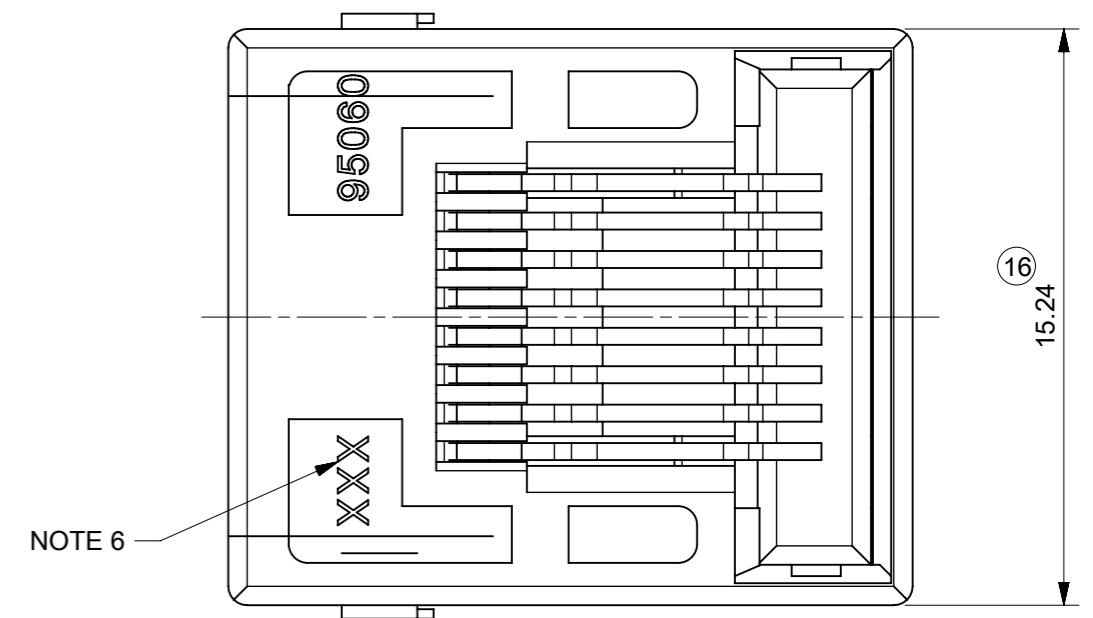


NOTES:

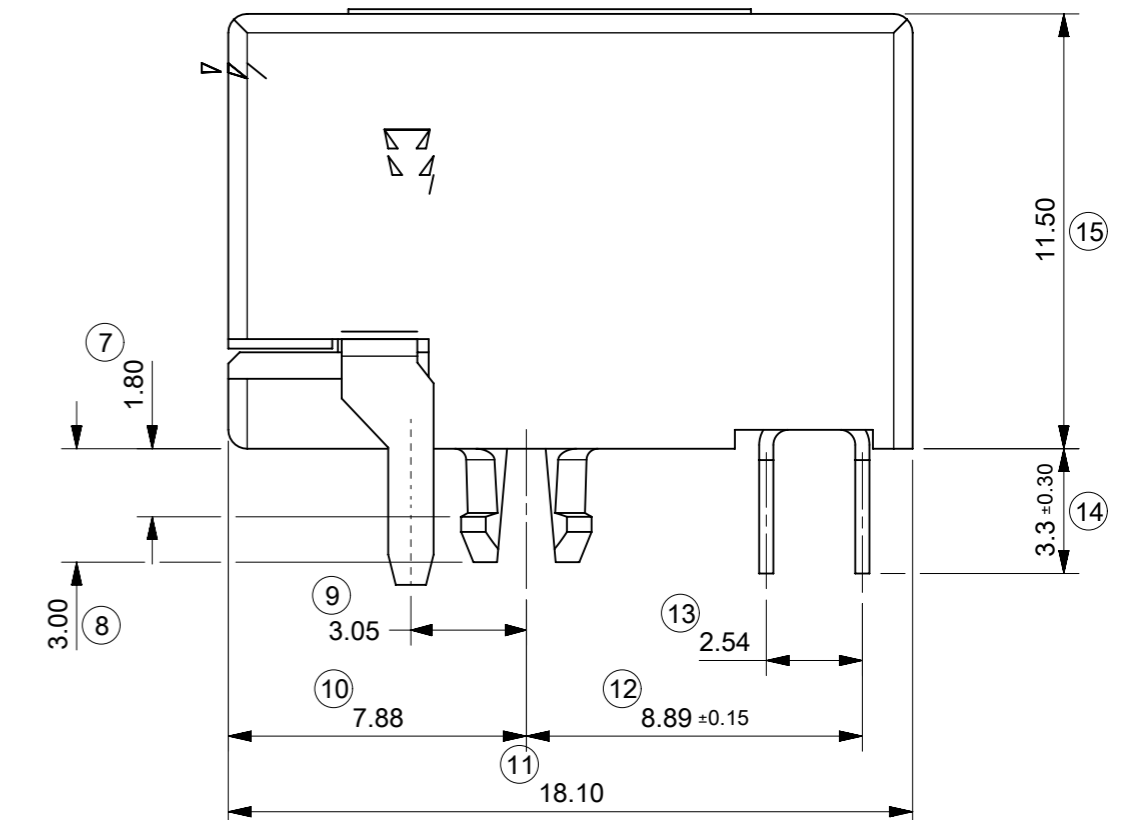
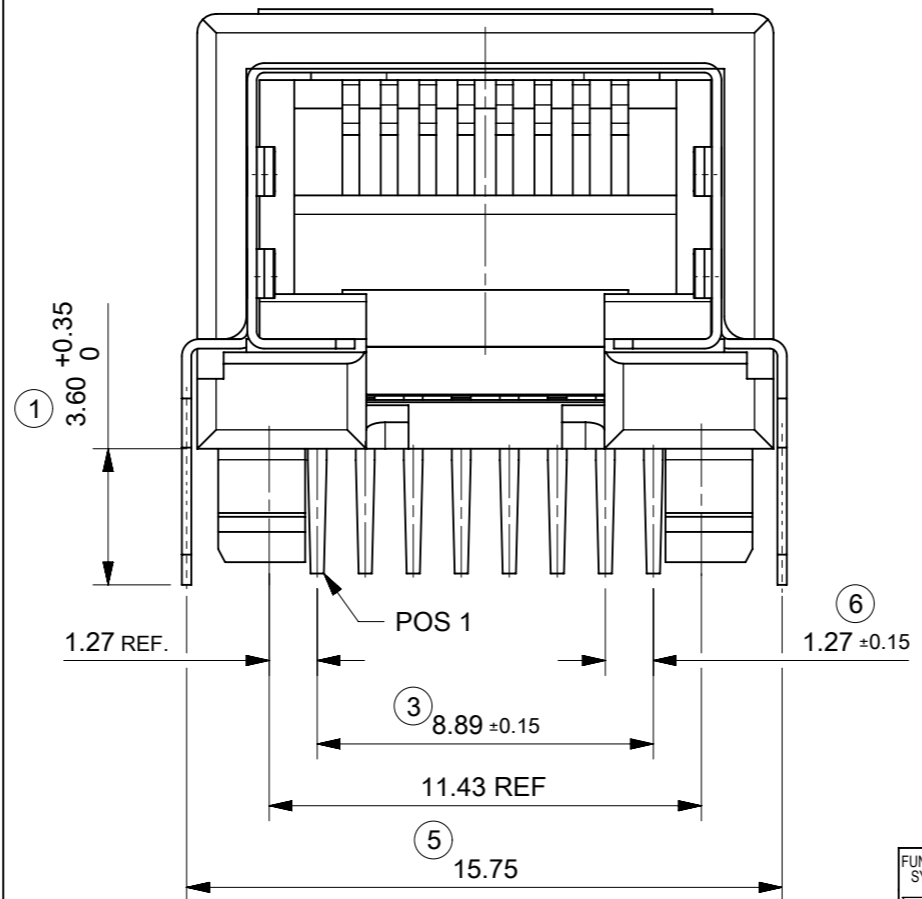
- MATERIAL:
HOUSING: LCP GLASS FILLED UL 94-V0. COLOR: BLACK
TERMINAL: COPPER ALLOY PLATED WITH:
BASE FINISH: NICKEL
CONTACT SURFACE FINISH: GOLD
OR
GOLD FLASH OVER PALLADIUM NICKEL
EXCEEDS PRODUCT REQUIREMENTS BASED ON PS-95540-002
SHIELD: COPPER ALLOY PLATED WITH TIN
- P.C. BOARD THICKNESS 1.57 ± 0.15
- JACK FOR MATING WITH IEC 60603-7 AND TIA-1096-A PLUGS
95043 MOLEX SERIES
- PRODUCT SPECIFICATION: PS-95540-002
- PACKAGING SPECIFICATION: MOLEX PK-95040
- MANUFACTURING I.D. CAN BE EITHER MXF, MG, MXI OR MXCH.

LAST INSPECTION NO.: 16
REMOVED INSPECTION NO.: 2, 4

PART NUMBER
95540-2881



RECOMMENDED
P.C.B. MOUNTING PATTERNS
VIEW FROM COMPONENT SIDE
ALL DIMENSIONS REF DIMENSIONS



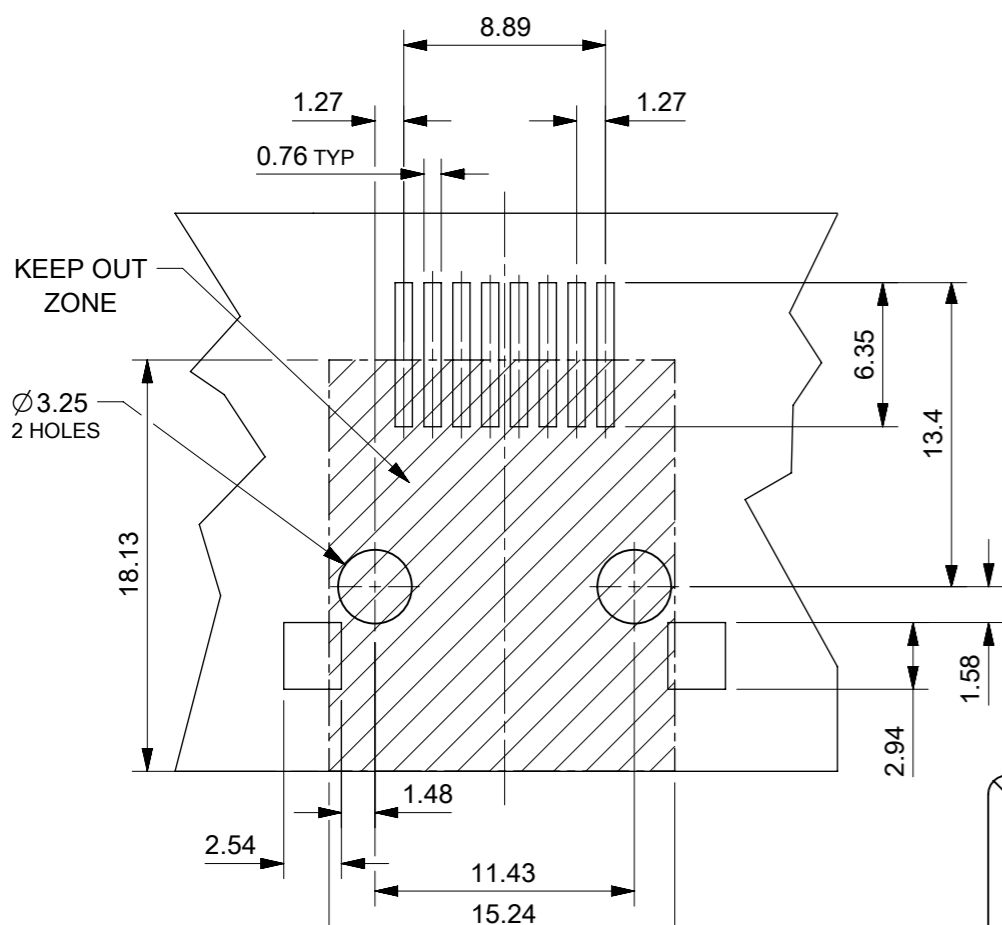
FUNCTIONAL SYMBOLS	THIS DRAWING CONTAINS INFORMATION THAT IS PROPRIETARY TO MOLEX ELECTRONIC TECHNOLOGIES, LLC AND SHOULD NOT BE USED WITHOUT WRITTEN PERMISSION		
	THIS DRAWING DIMENSION UNITS	SCALE	CURRENT REV DESC: REMASTERED USING 3D MODELS
$\nabla_A = 0$	mm	5:1	
$\nabla_F = 0$	GENERAL TOLERANCES (UNLESS SPECIFIED)		
$\nabla_V = 0$	ANGULAR TOL ± 0.5°		
DIVISIONAL SYMBOLS	4 PLACES	±	
	3 PLACES	±	
	2 PLACES	±	0.1
	1 PLACE	±	0.15
	0 PLACES	±	
DRAFT WHERE APPLICABLE MUST REMAIN WITHIN DIMENSIONS		THIRD ANGLE PROJECTION	DRAWING
			A3-SIZE
		SERIES	95540
		MATERIAL NUMBER	SEE CHART
		CUSTOMER	GENERAL MARKET
		DOC TYPE	PSD
		DOC PART	001
		REVISION	L2
		DOCUMENT NUMBER	SD-95540-001
		SHEET NUMBER	1 OF 3

DOCUMENT STATUS	P1	RELEASE DATE	2021/12/16	01:29:37
-----------------	----	--------------	------------	----------

NOTES:

1. COPLANARITY OF LEADS: 0.10 MAX.
COPLANARITY OF SHIELD TABS: 0.10 MAX.
2. PACKAGING SPECIFICATION: BLISTER ON REEL (SEE CHART)
3. PRODUCT SPECIFICATION: MOLEX PS-95540-002
4. KAPTON ADHESIVE FOIL: 0.125 THICK.
5. JACK FOR MATING WITH IEC 60603-7 AND TIA-1096-A PLUGS 95043 MOLEX SERIES
6. MANUFACTURING I.D. CAN BE EITHER MXF, MG, MXI OR MXCH.

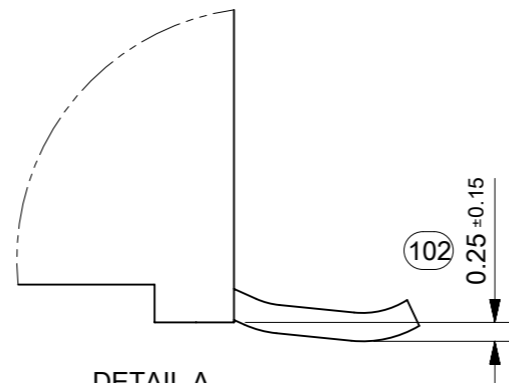
LAST INSPECTION NO.: 121
REMOVED INSPECTION NO.: 103, 105, 107



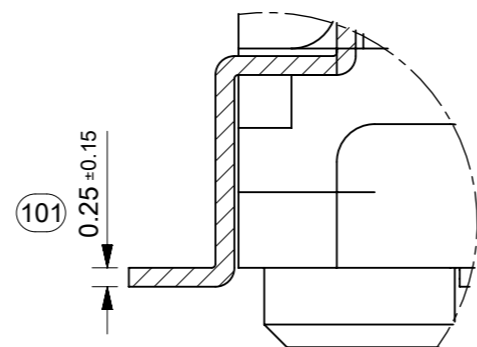
RECOMMENDED P.C.B. MOUNTING PATTERNS
VIEW FROM COMPONENT SIDE
ALL DIMENSIONS REF DIMENSIONS

PACKAGING		
PART NUMBER	REEL SIZE	SPECIFICATION
95540-6886	330	PK-85502-SHT 1
95540-6888	559	PK-85502-SHT 3

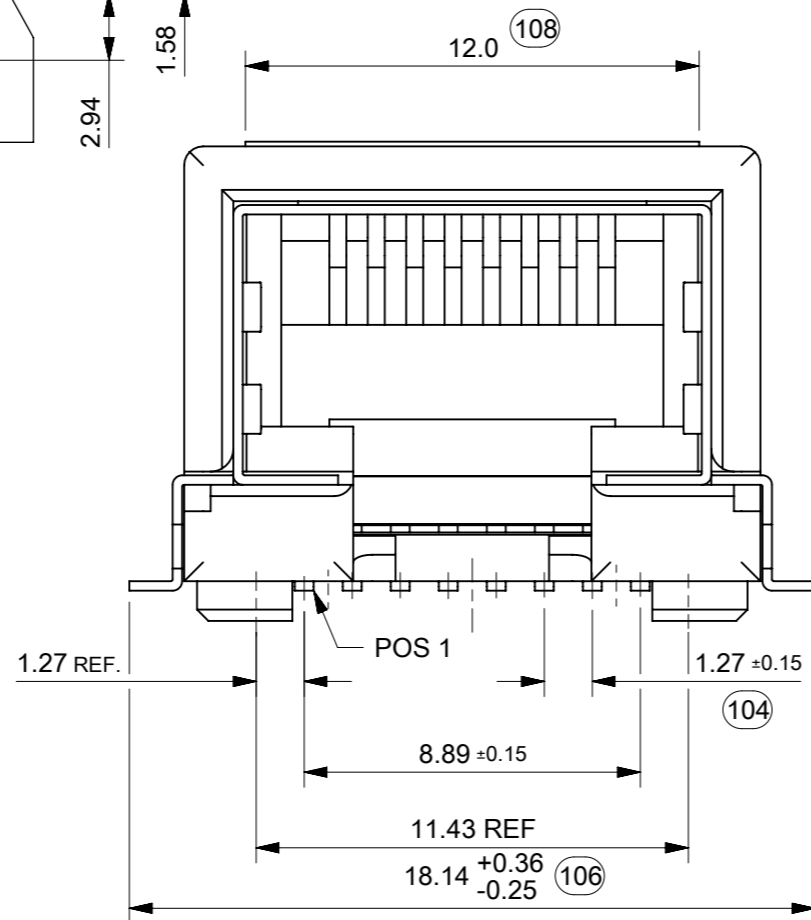
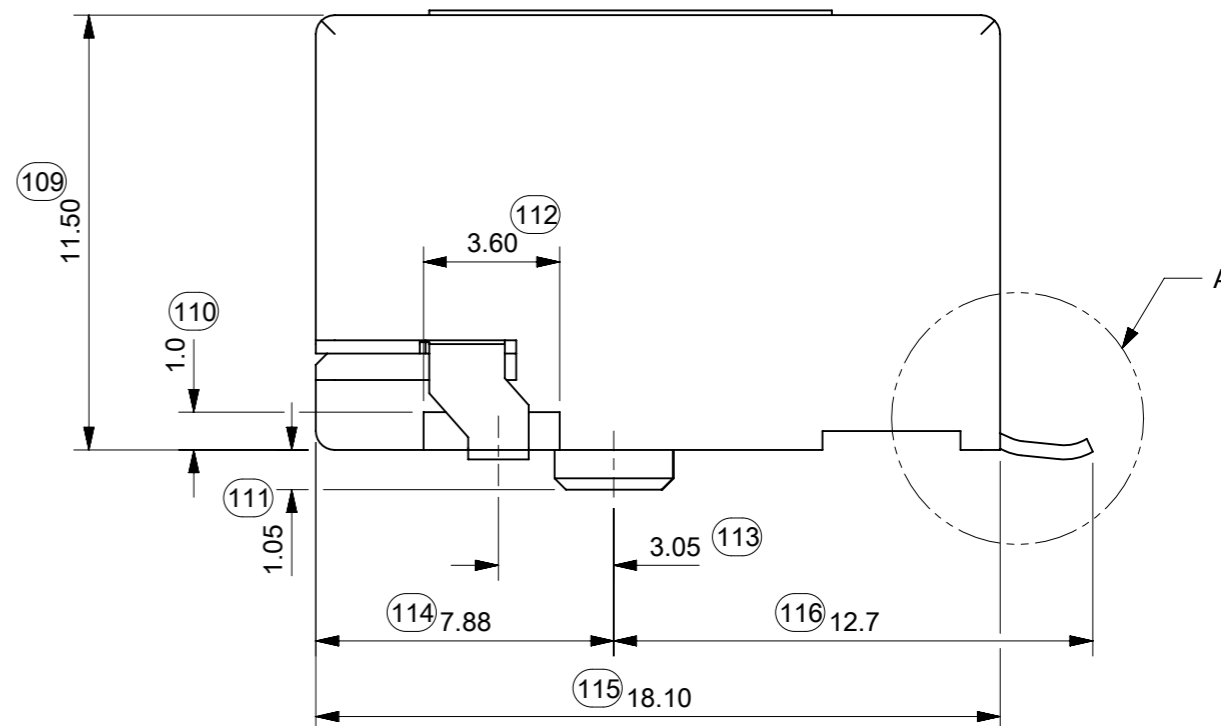
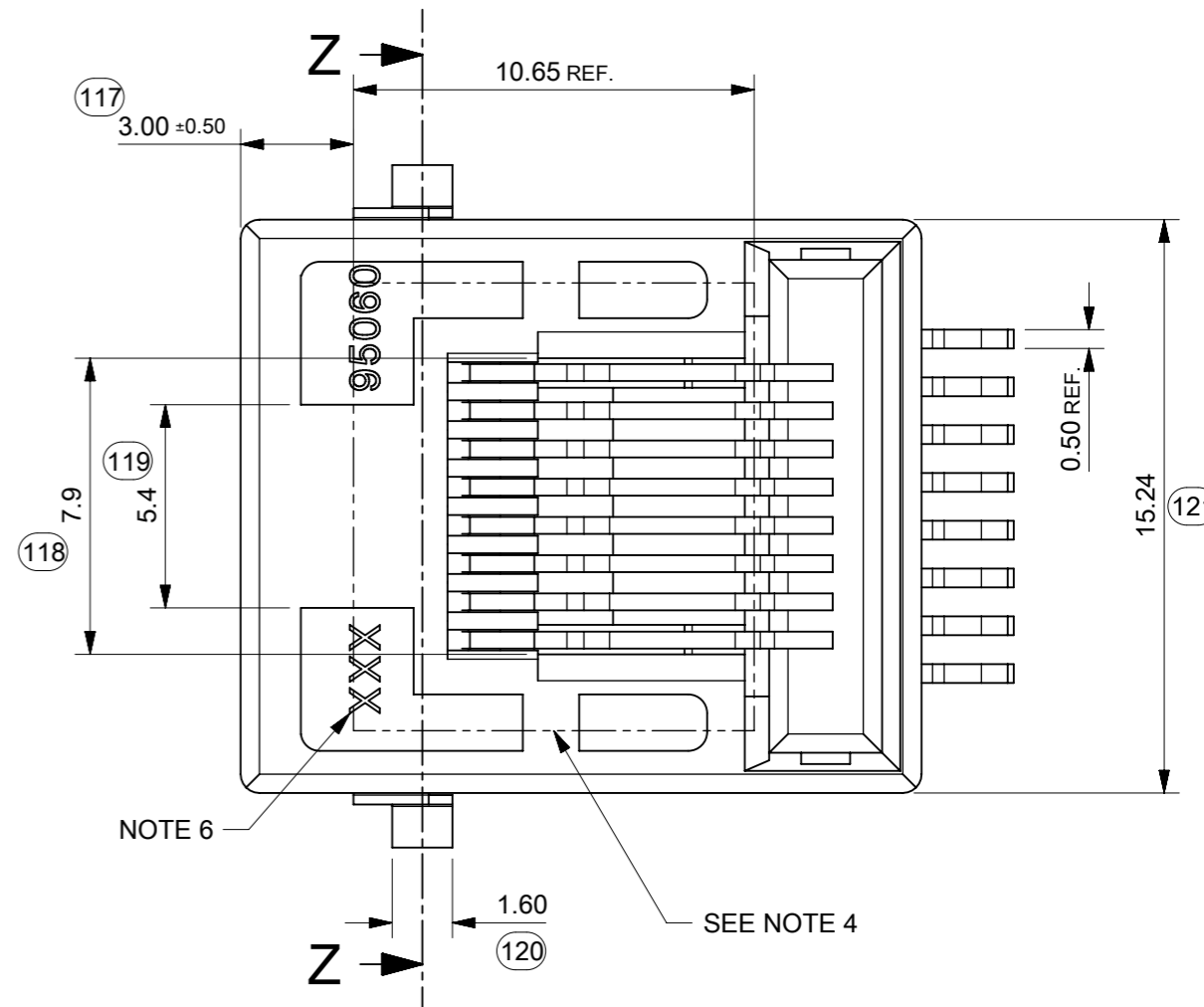
MATERIAL:
HOUSING: LCP GLASS FILLED UL 94-V0, COLOR: BLACK
TERMINAL: COPPER ALLOY PLATED WITH:
BASE FINISH: NICKEL
CONTACT SURFACE FINISH:
GOLD
OR
GOLD FLASH OVER PALLADIUM NICKEL
EXCEEDS PRODUCT REQUIREMENTS BASED ON PS-95540-002
SHIELD: COPPER ALLOY PLATED WITH TIN



DETAIL A
SCALE 10:1



PARTIAL Z-Z



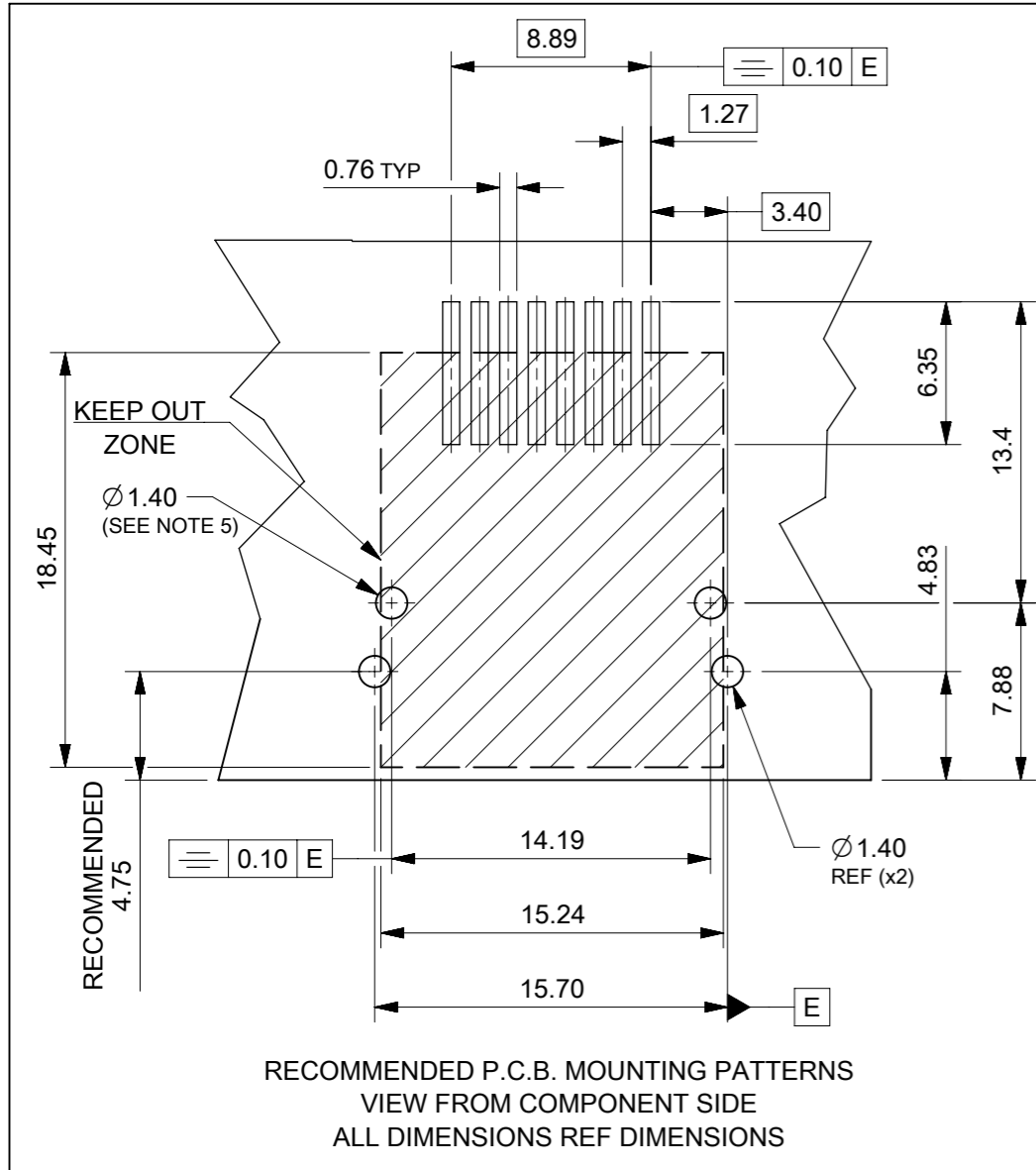
FUNCTIONAL SYMBOLS	THIS DRAWING CONTAINS INFORMATION THAT IS PROPRIETARY TO MOLEX ELECTRONIC TECHNOLOGIES, LLC AND SHOULD NOT BE USED WITHOUT WRITTEN PERMISSION		CURRENT REV DESC: REMASTERED USING 3D MODELS		molex	
	THIS DRAWING CONTAINS INFORMATION THAT IS PROPRIETARY TO MOLEX ELECTRONIC TECHNOLOGIES, LLC AND SHOULD NOT BE USED WITHOUT WRITTEN PERMISSION	THIS DRAWING CONTAINS INFORMATION THAT IS PROPRIETARY TO MOLEX ELECTRONIC TECHNOLOGIES, LLC AND SHOULD NOT BE USED WITHOUT WRITTEN PERMISSION				
FUNCTIONAL SYMBOLS	mm	SCALE 5:1	GENERAL TOLERANCES (UNLESS SPECIFIED)		RIGHT ANGLE LOW PROFILE SHIELDED PC JACK	
FUNCTIONAL SYMBOLS	mm	SCALE 5:1	ANGULAR TOL ± 0.5°		PRODUCT CUSTOMER DRAWING	
DIVISIONAL SYMBOLS	mm	SCALE 5:1	4 PLACES ±		DOCUMENT NUMBER	
DIVISIONAL SYMBOLS	mm	SCALE 5:1	3 PLACES ±		SD-95540-001	
DIVISIONAL SYMBOLS	mm	SCALE 5:1	2 PLACES ± 0.1		DOC TYPE DOC PART REVISION	
DIVISIONAL SYMBOLS	mm	SCALE 5:1	1 PLACE ± 0.15		PSD 001 L2	
DIVISIONAL SYMBOLS	mm	SCALE 5:1	0 PLACES ±		SHEET NUMBER	
DIVISIONAL SYMBOLS	mm	SCALE 5:1	DRAFT WHERE APPLICABLE MUST REMAIN WITHIN DIMENSIONS		2 OF 3	
DIVISIONAL SYMBOLS	mm	SCALE 5:1	THIRD ANGLE PROJECTION		MATERIAL NUMBER	
DIVISIONAL SYMBOLS	mm	SCALE 5:1	DRAWING A3-SIZE		CUSTOMER	
DIVISIONAL SYMBOLS	mm	SCALE 5:1	SERIES 95540		GENERAL MARKET	
DIVISIONAL SYMBOLS	mm	SCALE 5:1	SEE CHART		2 OF 3	

TECHNICAL SPECIFICATIONS:

MATERIAL:
 HOUSING: LCP GLASS FILLED UL 94-V0 COLOR: BLACK
 TERMINAL: COPPER ALLOY PLATED WITH:
 BASE FINISH: NICKEL
 CONTACT SURFACE FINISH:
 GOLD
 OR
 GOLD FLASH OVER PALLADIUM NICKEL
 EXCEEDS PRODUCT REQUIREMENTS BASED ON PS-95540-002

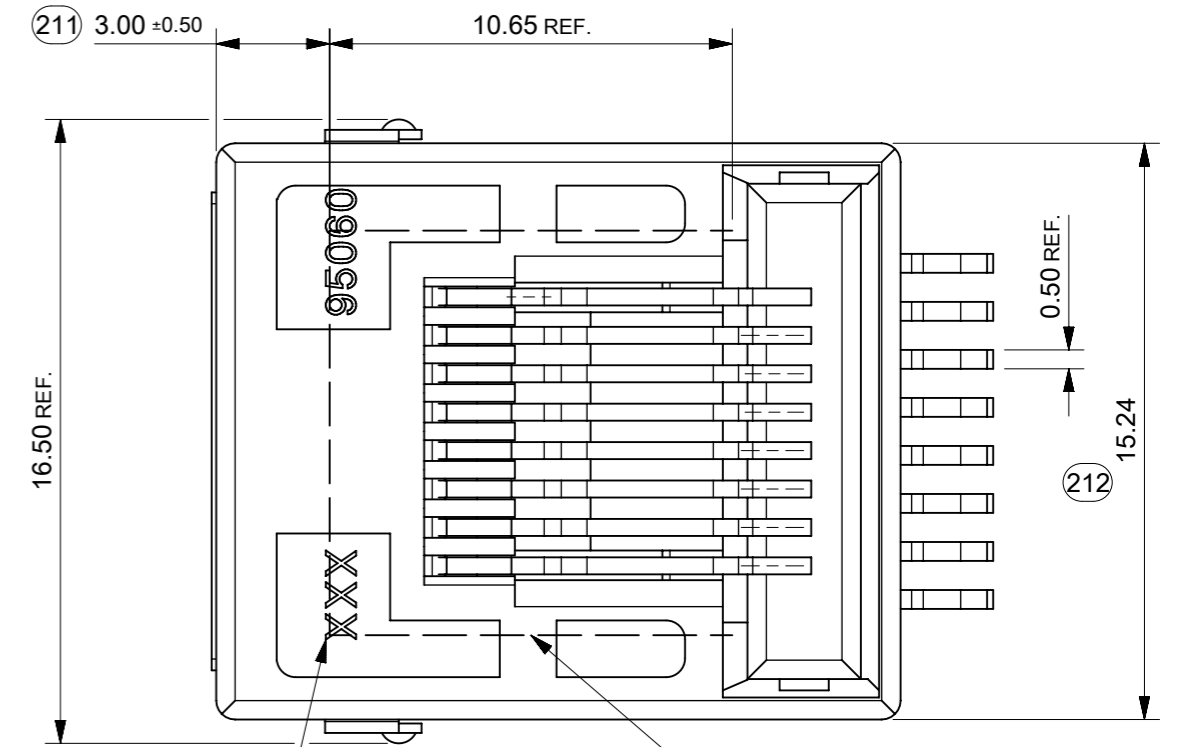
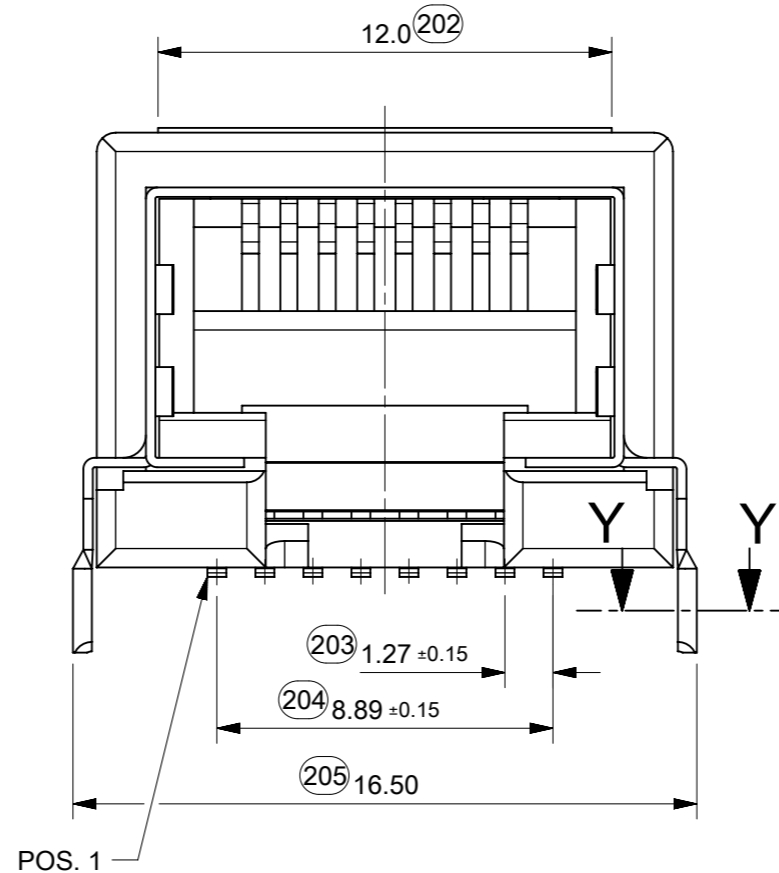
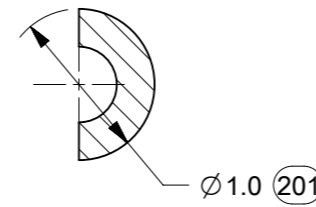
SHIELD: COPPER ALLOY PLATED WITH TIN

PART NUMBER	PEG DIM A	PACKAGING	
		REEL SIZE	SPEC.
95540-5880	1.34±0.10	330	PK-85502 SHET 1
95540-6880	2.25	330	PK-85502 SHET 1



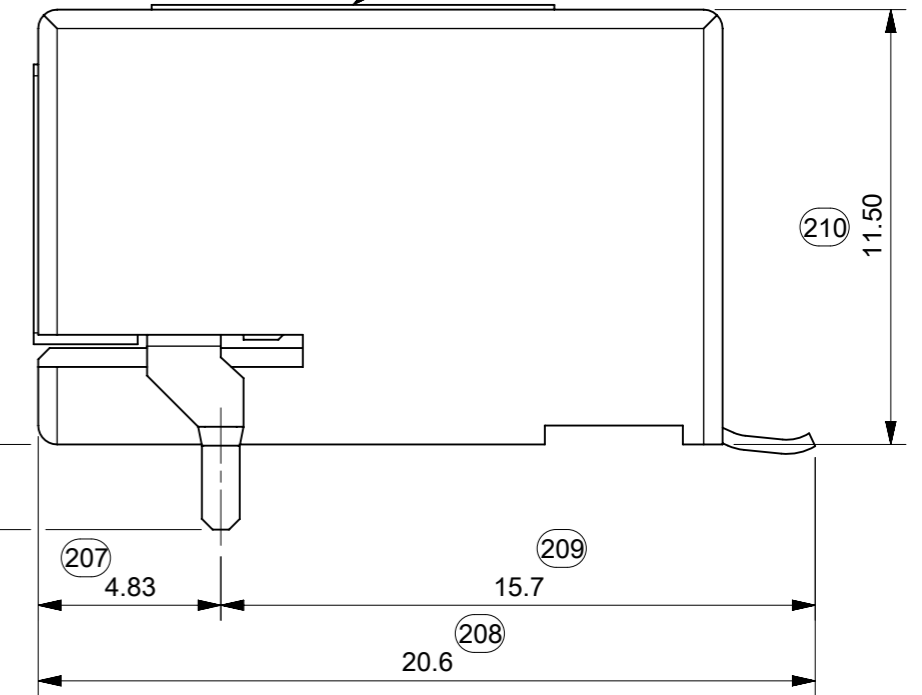
- NOTES:
- JACK FOR MATING WITH IEC 60603-7 AND TIA-1096-A PLUGS, 95043 MOLEX SERIES.
 - COPLANARITY OF LEADS: 0.10 MAX.
 - PACKAGING: MOLEX PK-85502 SHEET 1 (BLISTER ON REEL).
 - KAPTON ADHESIVE FOIL: 0.125 THICK.
 - OPTIONAL HOLES FOR COMPAT. WITH UNSHIELDED VERSION.
 - PRODUCT SPECIFICATION: MOLEX PS-95540-002
 - MANUFACTURING I.D. CAN BE EITHER MXF, MG, MXI OR MXCH.

LAST INSPECTION NUMBER: 212



NOTE 7

SEE NOTE 4



FUNCTIONAL SYMBOLS	THIS DRAWING CONTAINS INFORMATION THAT IS PROPRIETARY TO MOLEX ELECTRONIC TECHNOLOGIES, LLC AND SHOULD NOT BE USED WITHOUT WRITTEN PERMISSION	SCALE		CURRENT REV DESC: REMASTERED USING 3D MODELS				molex			
	DIMENSION UNITS	mm	5:1								
DIVISIONAL SYMBOLS	GENERAL TOLERANCES (UNLESS SPECIFIED)	ANGULAR TOL ± 0.5°		EC NO: 686740				RIGHT ANGLE LOW PROFILE SHIELDED PC JACK			
	4 PLACES ±	3 PLACES ±		DRWN: GWU15 2021/07/15				PRODUCT CUSTOMER DRAWING			
DIVISIONAL SYMBOLS	2 PLACES ± 0.1	1 PLACE ± 0.15		CHK'D: KLANG 2021/12/16				DOCUMENT NUMBER			
	0 PLACES ±	DRAFT WHERE APPLICABLE MUST REMAIN WITHIN DIMENSIONS		APPR: KNOLLER 2021/12/16				DOC TYPE DOC PART REVISION			
THIRD ANGLE PROJECTION		DRAWING		SERIES		MATERIAL NUMBER		CUSTOMER		SHEET NUMBER	
A3-SIZE		95540		SEE CHART		GENERAL MARKET		SD-95540-001		PSD 001 L2	