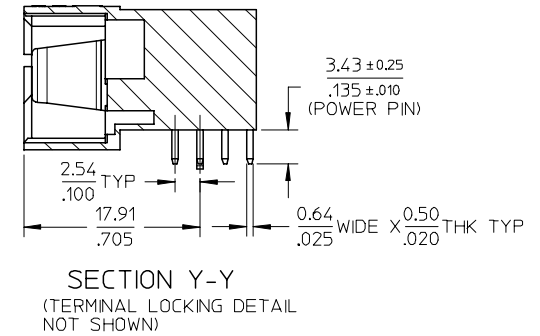
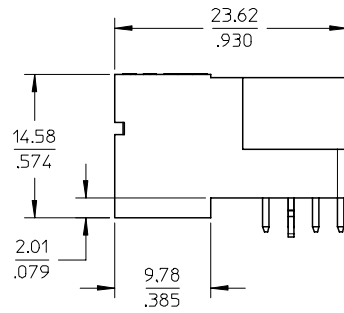
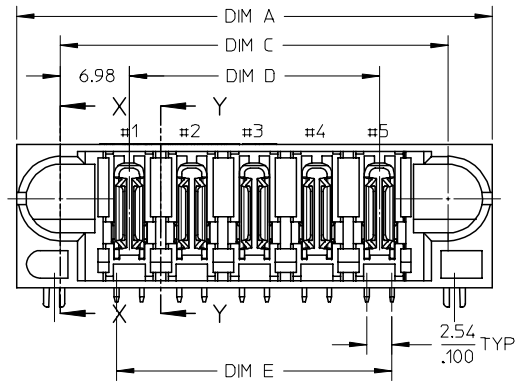
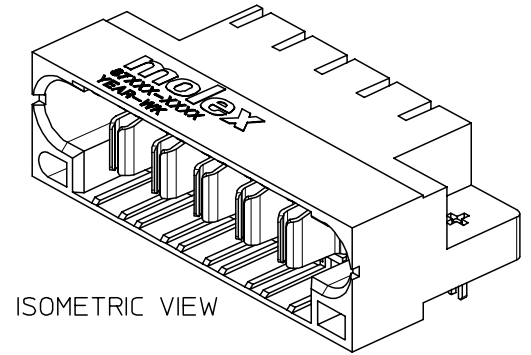
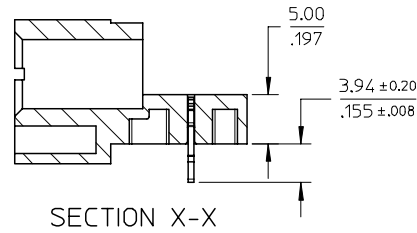
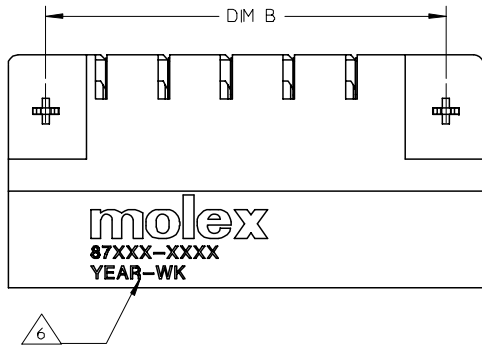


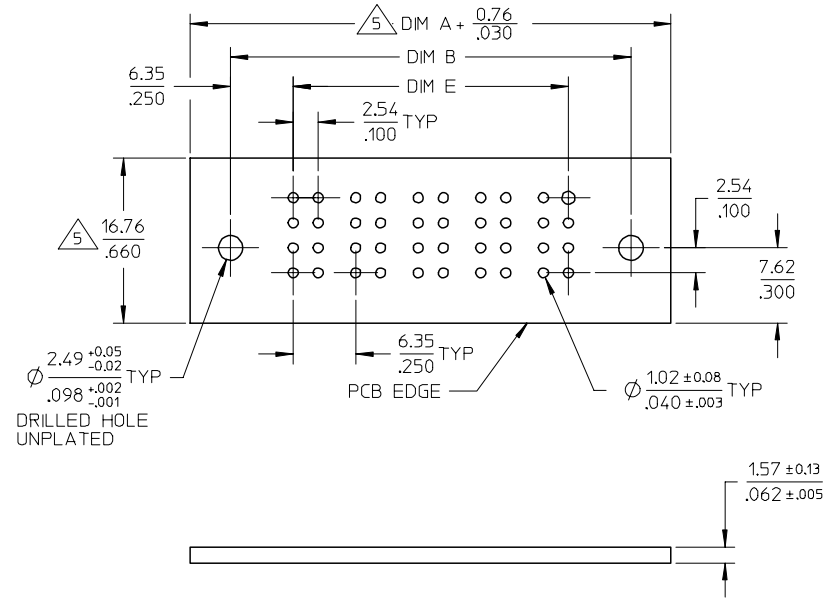
10 9 8 7 6 5 4 3 2 1



PDR#S-001437-00-00 EC NO: S2007-0474 DRWN:KELIM CHKD:M.LONG APPR:SKTOH	2006/12/08 2006/12/11 2006/12/11	DESCRIPTION REV	QUALITY SYMBOLS	GENERAL TOLERANCES (UNLESS SPECIFIED)	DIMENSION STYLE	SCALE	DESIGN UNITS	THIRD ANGLE PROJECTION
			$\nabla=0$ $\sphericalangle=0$	mm INCH 4 PLACES ± --- ± --- 3 PLACES ± --- ± .010 2 PLACES ± 0.25 ± --- 1 PLACE ± --- ± --- ANGULAR ± 3 °	MM/IN	NTS	METRIC	TITLE HEADER ALL POWER CONFIGURATION BOARD-LOCK, R/A, T/H MOLEX INCORPORATED
			DRAFT WHERE APPLICABLE MUST REMAIN WITHIN DIMENSIONS	SEE TABLE	DRAWN BY: BHLOW DATE: 2002/11/14 CHECKED BY: PTL IM DATE: 2002/11/26 APPROVED BY: SKTOH DATE: 2002/11/27	DOCUMENT NO. SD-87658-013	SHEET NO. 1 OF 2	
			D1	SIZE A3	THIS DRAWING CONTAINS INFORMATION THAT IS PROPRIETARY TO MOLEX INCORPORATED AND SHOULD NOT BE USED WITHOUT WRITTEN PERMISSION			

9 8 7 6 5 4 3 2 1

10	9	8	7	6	5	4	3	2	1
PART NUMBER	PART STATUS	PACKAGING	POWER CONFIGURATION NO. OF POWER	DIM A	DIM B	DIM C	DIM D	DIM E	
				87658-2005	TOOLED	TRAY	5	48.26 1.900	40.64 1.600
87658-2006	TOOLED	TRAY	2	29.21 1.150	21.59 .850	20.32 .800	6.35 .250	8.89 .350	



- NOTES:
- MATERIALS: LCP, GLASS FILLED, UL94V-0, COLOUR: BLACK
POWER PINS - COPPER ALLOY
 - FINISHES: POWER PINS:
SELECTIVE GOLD IN CONTACT AREA.
THICKNESS= 0.76 MICROMETER/ 30 MICROINCH MINIMUM
SELECTIVE TIN ALLOY IN THE PC TAIL AREA
THICKNESS= 2.54 MICROMETER/.100 MICROINCH
MINIMUM 1.27um MINIMUM NICKEL OVERALL UNDERPLATE
 - PRODUCT SPECIFICATION: PS-87631-006.
 - SEE SHEET 2 FOR RECOMMENDED PCB LAYOUT AND THICKNESS.
 - COMPONENT STAY AWAY ZONE FROM CONNECTOR.
 - MANUFACTURER LOGO, PART NUMBER AND YEAR-WEEK CODE.
 - 5 POWER CONFIGURATION IS SHOWN FOR ILLUSTRATION ONLY.
POWER CONFIGURATION IS AVAILABLE UP TO 203MM/INCH.
PLEASE CONTACT MOLEX SALES PERSONNEL FOR OTHER
CONFIGURATION AND OPTION NEEDED.

PDR#S-001437-00-00	2006/12/08	2006/12/11	2006/12/11
EC NO: S2007-0474	DRWN:KELIM	CHKD:MLONG	APPR:SKTOH
D1	REV	DESCRIPTION	

QUALITY SYMBOLS	▽=0	▽=0
-----------------	-----	-----

GENERAL TOLERANCES (UNLESS SPECIFIED)	
mm	INCH
4 PLACES ± ---	± ---
3 PLACES ± ---	± .010
2 PLACES ± 0.25	± ---
1 PLACE ± ---	± ---
ANGULAR ± 3 °	
DRAFT WHERE APPLICABLE MUST REMAIN WITHIN DIMENSIONS	

DIMENSION STYLE	
MM/IN	DATE
DRAWN BY	BHLOW 2002/11/14
CHECKED BY	PTL IM 2002/11/26
APPROVED BY	SKTOH 2002/11/27
MATERIAL NO.	
SIZE	A3

SCALE	DESIGN UNITS	THIRD ANGLE PROJECTION
NTS	METRIC	☉
TITLE		
HEADER ALL POWER CONFIGURATION BOARD-LOCK, R/A, T/H		
MOLEX INCORPORATED		
DOCUMENT NO.	SD-87658-013	SHEET NO. 2 OF 2
SEE TABLE		
THIS DRAWING CONTAINS INFORMATION THAT IS PROPRIETARY TO MOLEX INCORPORATED AND SHOULD NOT BE USED WITHOUT WRITTEN PERMISSION		