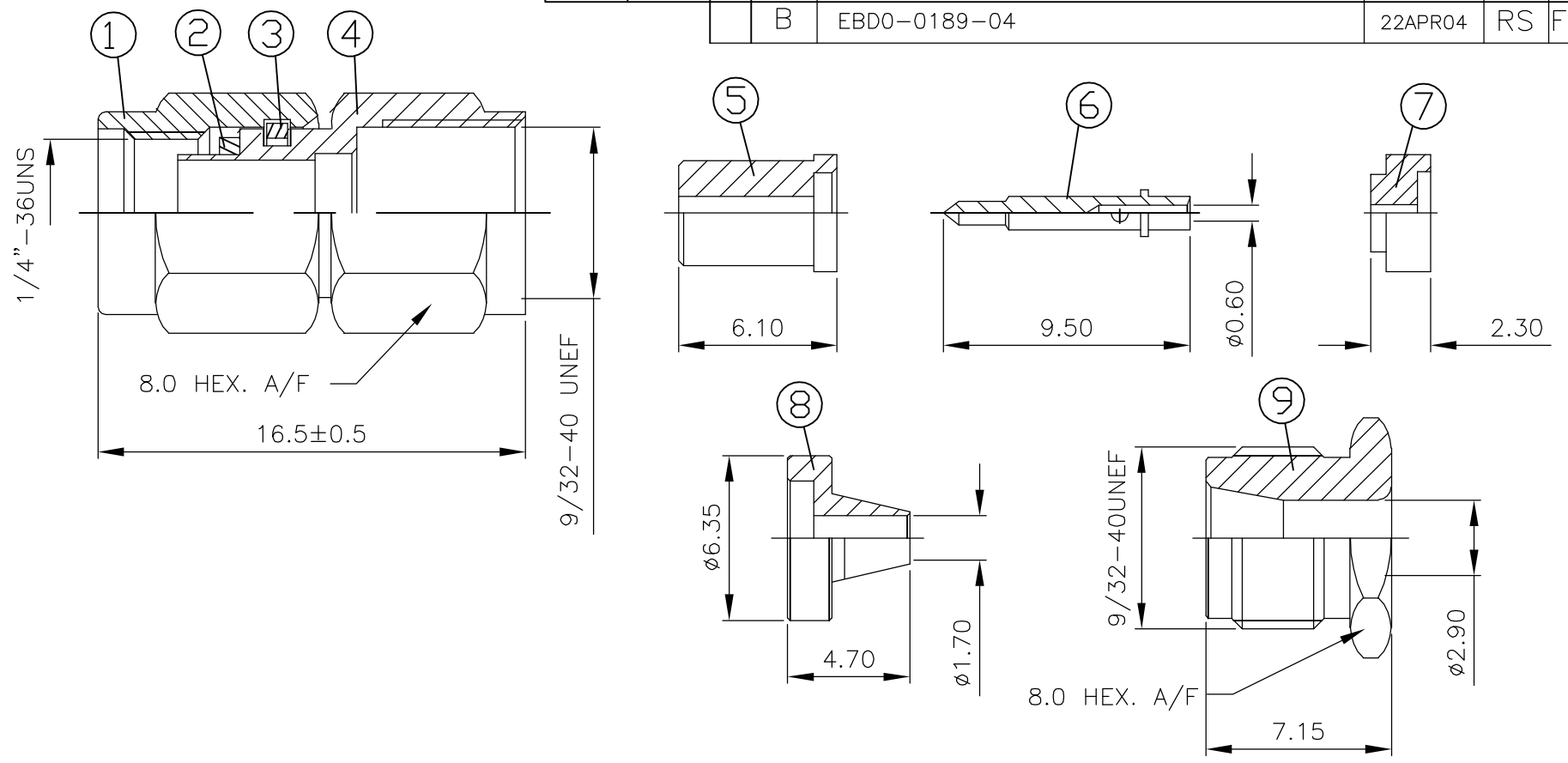


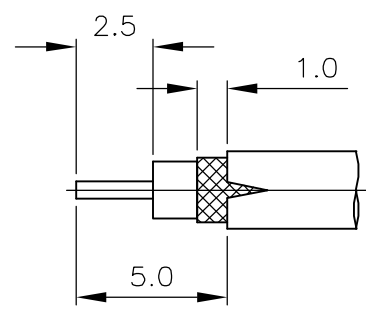
THIS DRAWING IS UNPUBLISHED. RELEASED FOR PUBLICATION APRIL, 2004.
 © COPYRIGHT 2004 BY TYCO ELECTRONICS CORPORATION. ALL RIGHTS RESERVED.

LOC	DIST	REVISIONS			
P	LTR	DESCRIPTION	DATE	DWN	APVD
E	B	B	EBD0-0189-04	22APR04	RS FWK

- NOTES:
- 1 SINGLE PACK IN ACCORDANCE WITH SPEC 107-3275
 - 2 100 TRAY PACK IN ACCORDANCE WITH SPEC 107-3275
 - 3 0.08µm Au PLATING OVER 1.27µm Ni PLATING
 - 4 0.76µm Au PLATING OVER 1.27µm Ni PLATING OVER 0.76µm Cu PLATING
 - 5 PASSIVATED
 - 6 FOR TECHNICAL DATA REFER TO YOUR LOCAL TYCO ELECTRONICS SALES OFFICE
 - 7 ALL DIMENSIONS ARE NOMINAL FOR REFERENCE ONLY UNLESS OTHERWISE STATED



RECOMMENDED CABLE STRIPPING DIM'S



QTY	QTY	QTY	QTY	MATERIAL	DESCRIPTION	ITEM
1	1	-	-	STAINLESS STEEL	NUT	9
-	-	1	1	STAINLESS STEEL	NUT	9
1	1	-	-	STAINLESS STEEL	CLAMP	8
-	-	1	1	STAINLESS STEEL	CLAMP	8
1	1	1	1	PTFE	INSULATOR 2	7
1	1	1	1	BRASS	CENTER CONTACT	6
1	1	1	1	PTFE	INSULATOR 1	5
1	1	-	-	STAINLESS STEEL	BODY	4
-	-	1	1	STAINLESS STEEL	BODY	4
1	1	1	1	STAINLESS STEEL	CIRCLIP	3
1	1	1	1	SILICONE	GASKET	2
1	1	-	-	STAINLESS STEEL	SHELL	1
-	-	1	1	STAINLESS STEEL	SHELL	1
2--1	2--0	1--1	1--0	MATERIAL	DESCRIPTION	ITEM
2	1	2	1			

THIS DRAWING IS A CONTROLLED DOCUMENT.		DWN R.SMITH 10FEB04	Tyco Electronics Corporation Bideford, UK, EX39 4HE	
DIMENSIONS: mm		CHK S.PARLOW 10FEB04		
TOLERANCES UNLESS OTHERWISE SPECIFIED:		APVD F.WHEELER-KING 10FEB04	NAME SMA STRAIGHT PLUG, JACK SOLDER PIN, CLAMP ATTACHMENT	
0 PLC ± -		PRODUCT SPEC 108-3460	RG188A/U, 316/U, RG174A/U, URM95, KX3B, KX22A	
1 PLC ± -		APPLICATION SPEC 411-3276	SIZE A3	CAGE CODE 00779
2 PLC ± -		WEIGHT -	DRAWING NO C-1478908	
3 PLC ± -		RESTRICTED TO -		
4 PLC ± -		SCALE 1:1 SHEET 1 OF 1 REV B		
ANGLES ± -		CUSTOMER DRAWING		
FINISH -				
MATERIAL SEE TABLE				