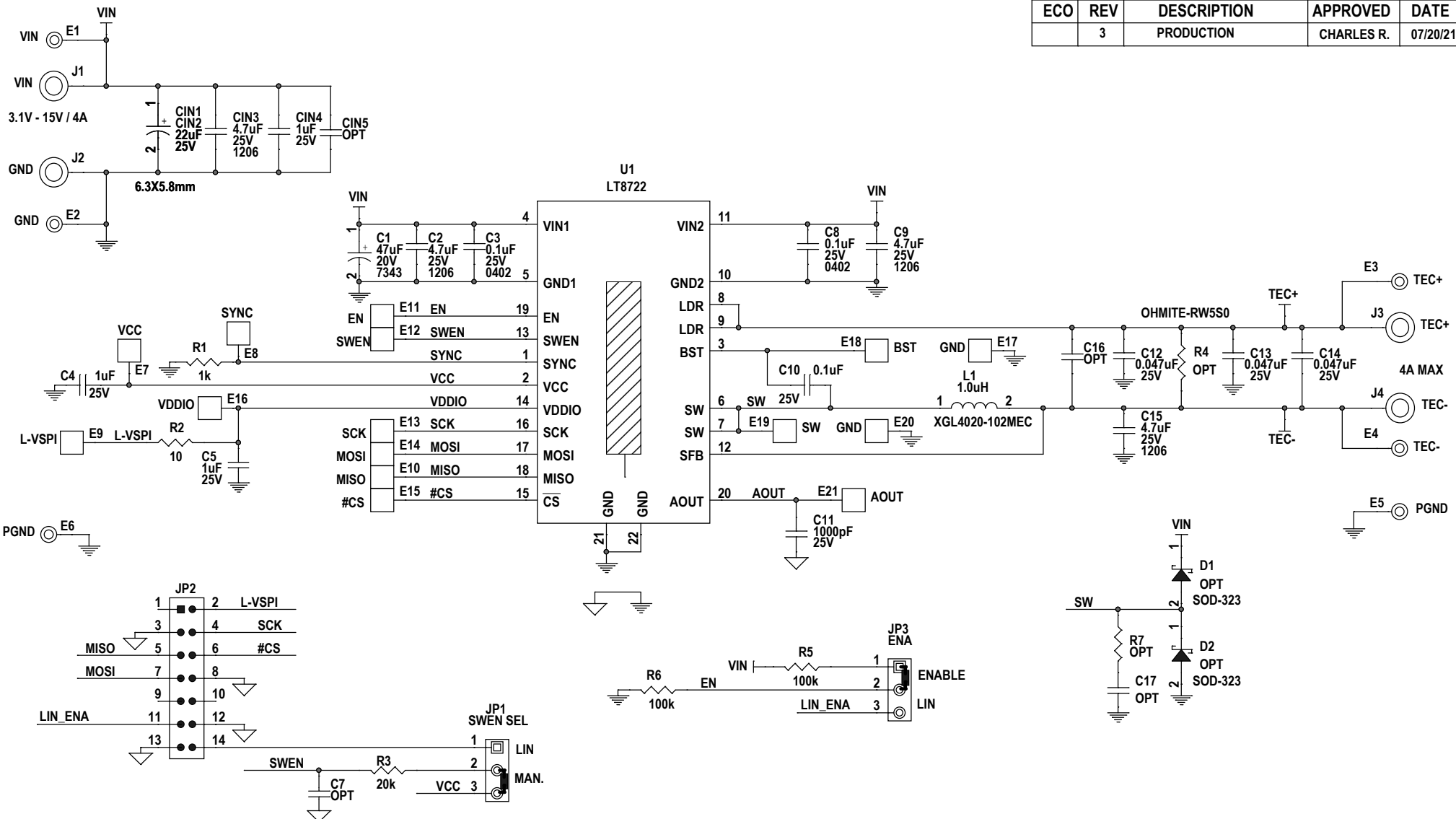


REVISION HISTORY				
ECO	REV	DESCRIPTION	APPROVED	DATE
	3	PRODUCTION	CHARLES R.	07/20/21




NOTES: UNLESS OTHERWISE SPECIFIED  
 1. ALL RESISTORS AND CAPACITORS ARE 0603.

PCA ADDITIONAL PARTS	
MP1	STANDOFF,NYLON,SNAP-ON,0.50"
MP2	STANDOFF,NYLON,SNAP-ON,0.50"
MP3	STANDOFF,NYLON,SNAP-ON,0.50"
MP4	STANDOFF,NYLON,SNAP-ON,0.50"
LB1	BOARD S/N LABEL
STNCL1	TOOL, STENCIL, 700-DC3145A REV03
PCB1	PCB, DC3145A REV03

<Variant Name>

CUSTOMER NOTICE	
ANALOG DEVICES HAS MADE A BEST EFFORT TO DESIGN A CIRCUIT THAT MEETS CUSTOMER-SUPPLIED SPECIFICATIONS; HOWEVER, IT REMAINS THE CUSTOMER'S RESPONSIBILITY TO VERIFY PROPER AND RELIABLE OPERATION IN THE ACTUAL APPLICATION. COMPONENT SUBSTITUTION AND PRINTED CIRCUIT BOARD LAYOUT MAY SIGNIFICANTLY AFFECT CIRCUIT PERFORMANCE OR RELIABILITY. CONTACT ANALOG DEVICES APPLICATIONS ENGINEERING FOR ASSISTANCE.	
THIS CIRCUIT IS PROPRIETARY TO ANALOG DEVICES AND SUPPLIED FOR USE WITH ANALOG DEVICES PARTS.	

APPROVALS		 AHEAD OF WHAT'S POSSIBLE™	2555 AUGUSTINE DRIVE SANTA CLARA, CA 95054 <a href="http://www.analog.com">www.analog.com</a>	
PCB DES.	LT		<b>TITLE: SCHEMATIC</b> <b>15V, 4A MONOLITHIC THERMOELECTRIC COOLER DRIVER</b>	
APP ENG.	CHARLES R.			
IC NO. LT8722AV SKU NO. DC3145A		<b>SCHEMATIC NO. AND REVISION:</b> <b>710-DC3145A_REV03</b>		
SIZE:	N/A	DATE:	Tuesday, July 20, 2021	SHEET 1 OF 1