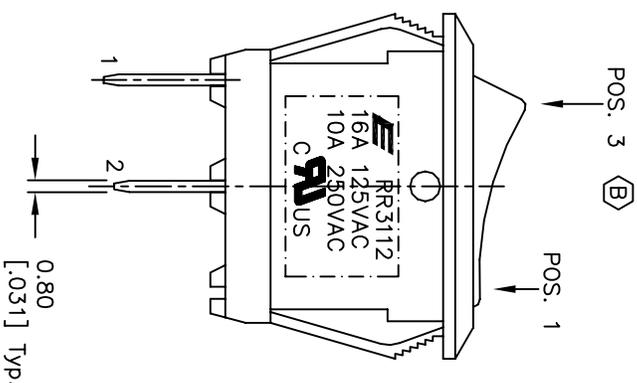
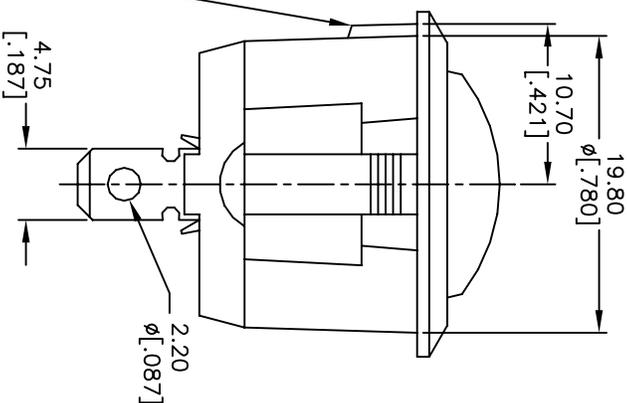
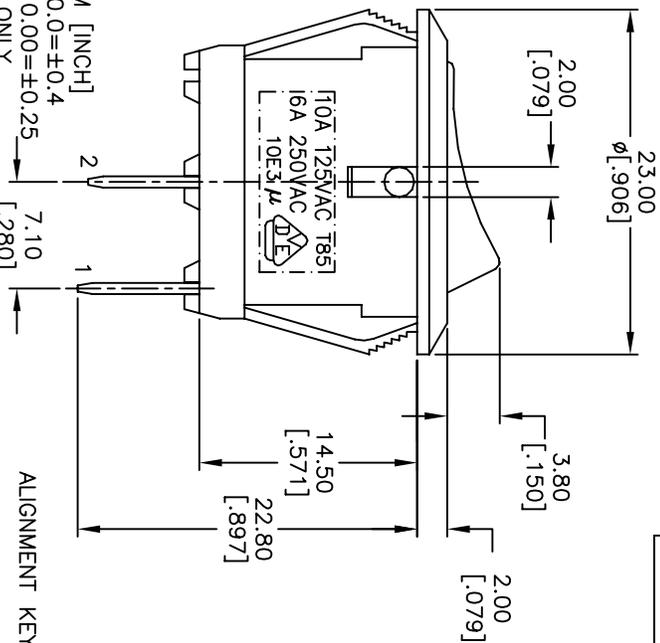
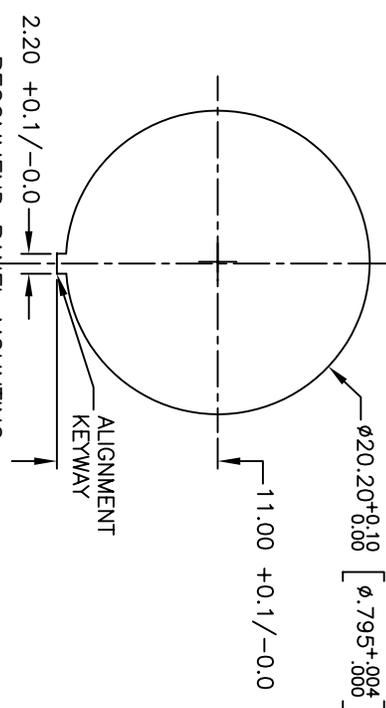


CIRCUIT: 2P: SPDT
CONTACT CONFIGURATION
ON-OFF

SWITCH FUNCTION	POS. 1	POS. 3
ON	OFF	OFF
1-2	OPEN	OPEN



- NOTES:
1. ALL DIMENSIONS IN MM [INCH]
 2. GENERAL TOLERANCE: 0.0=±0.4
 3. TERM. NOS. FOR REF. ONLY 0.00=±0.25
 4. RATING: 16A, 125VAC, 10A, 250VAC UL&CUL APPROVED
10A 125VAC, 6A 250V AC VDE APPROVED
 5. CONTACT RESISTANCE: 50m ohm max.
 6. INSULATION RESISTANCE: DC 500V 100M ohm min.
 7. DIELECTRIC STRENGTHS: AC 1500V 1 minute
 8. OPERATING TEMP: 0°C to 85°C
 9. ▲ DENOTES CRITICAL PARAMETER.
 10. 2002/95/EC (ROHS) COMPLIANT

REV.	ECN No.	DESCRIPTION	DATE	CHKD
D	16972	ROHS NOTE ADDED, FIXED QAD	2/6/07	TN
C	14755	CORRECT MARKING ORIENTATION	3/9/05	AR
B	14043	SWITCH FUNCTION	5/27/04	AR
A	13920	RELEASED FOR PRODUCTION	4/15/04	AR

SCALE	DATE	DR	DWG	REV
2:1	2/6/07	TN	F130420	D



RR3112ABLKBLKNFFD

THE INFORMATION CONTAINED IN THIS DOCUMENT IS PROPRIETARY TO E-SWITCH AND IS NOT TO BE COPIED OR TRANSMITTED