

Type 3203 Series



Consuming just 10.5 sq.mm of board, the 3203 has been developed specifically for a new generation of hand held equipment, where mixed technology and double sided component placement are unavoidable. These 3mm devices are just 2mm high and sealed for IR, vapour phase and full immersion wave soldering together with solvent board washing process. Also available within this range is the 3213, the auto adjust sister to the 3203.

Key Features

- Tiny 3mm Square Size
- Suited to Dip and Wave Solder
- Latest Cermet Technology
- Suitable for Solvent Washing
- Delta Terminals Prevent Solder Bridging
- Super Thin - Only 2mm High
- Designed for Auto Adjust
- Packed in Standard 12mm Tape

SMD Trimmers

Type 3203 Series

Characteristics - Electrical

| | |
|--------------------------------------|-------------------------------------|
| Resistance Range: | 100R to 1M (1, 2, 5 in each decade) |
| Resistance Tolerance: | ± 20% |
| Temperature Coefficient: | ± 100ppm/°C at -65°C to +150°C |
| Operating Voltage: | 15V DC or AC RMS maximum |
| Contact Resistance Variation: | 5% of nominal maximum |
| Power Rating: | 0.05 watts at 70°C |
| Effective Electrical Angle: | 210° nom |

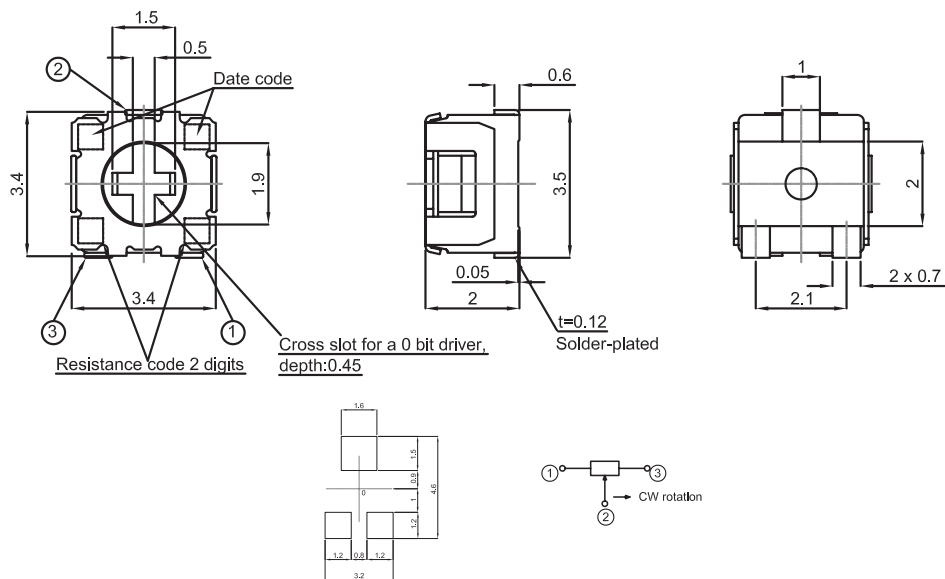
Characteristics - Mechanical

| | |
|-------------------------------|----------|
| Rotational Torque: | 5mNm |
| Mechanical Adjustment: | 250° Nom |

Characteristics - Environmental

| | |
|---------------------------|--|
| Temperature Range: | -55°C to + 150°C |
| Rotational Life: | After 100 cycles $\Delta R < \pm 15\%$ |
| Load Life: | $\Delta R < 5\%$ after 1000 hours |
| Sealing: | For dip and wave solder, prior to adjustment |

Dimensions 3203



How to Order

| | | | |
|-------------------------|--|---|------------------|
| 3203 | X | 102 | P |
| Common Part | Orientation | Resistance Value | Tolerance |
| 3203 – Screwdriver Slot | X – Terminals 1 & 3 away from sprocket holes | The first two digits are significant figures of resistance value and the third denotes the number of zeros following. e.g. 100R: 101 1K0: 102 10K: 103 | P - 25 % |