

NOTE :

- 1. POS. 8 LABEL - ON WHITE WIRE FOR 4 POL. VERSIONS
- ON GREEN/YELLOW OR GREY WIRE FOR 5 AND 8 POL, VERSIONS
- NO LABEL FOR 12 POL. VERSIONS

BILL OF MATERIAL

| ITEM | COMPONENT | MATERIAL | FINISH |
|------|------------------|-------------|---------------|
| 1 | REC SHELL | BRASS | NICKEL PLATED |
| 2 | INSERT | PUR | BLACK |
| 3 | CONTACT | BRASS /GOLD | CuZn Ni/Au |
| 4 | WIRES | COPPER/PVC | NONE |
| 5 | O-RING | NBR | BLACK |
| 6 | O-RING | VITON | RED |
| 7 | POTTING MATERIAL | WEVO | NONE |
| 8 | LABEL | - | YELLOW |

| | | | | |
|-----------------|----|--------------|------------|----------|
| DOCUMENT STATUS | P1 | RELEASE DATE | 2022/07/22 | 12:02:27 |
|-----------------|----|--------------|------------|----------|

| | | | |
|---------------------------------|--|---|----------------------------|
| SYMBOLS | | THIS DRAWING CONTAINS INFORMATION THAT IS PROPRIETARY TO MOLEX ELECTRONIC TECHNOLOGIES, LLC AND SHOULD NOT BE USED WITHOUT WRITTEN PERMISSION | |
| ▽ = 0 | mm | SCALE | 2:1 |
| ▽ = 0 | GENERAL TOLERANCES (UNLESS SPECIFIED) | | |
| ▽ = 0 | ANGULAR TOL ± 1.0° | | |
| ▽ = 0 | 4 PLACES | ± | |
| ▽ = 0 | 3 PLACES | ± | |
| ▽ = 0 | 2 PLACES | ± 0.05 | |
| ▽ = 0 | 1 PLACE | ± 0.3 | |
| ▽ = 0 | 0 PLACES | ± 0.5 | |
| ■ = 0 | DRAFT WHERE APPLICABLE MUST REMAIN WITHIN DIMENSIONS | | |
| ▽ = 0 | THIRD ANGLE PROJECTION | | |
| CURRENT REV DESC: NEW P/N ADDED | | EC NO: 714426 | |
| | | DRWN: RSILLER | 2022/07/15 |
| | | CHK'D: THAERDT | 2022/07/22 |
| | | APPR: THAERDT | 2022/07/22 |
| INITIAL REVISION: | | DRWN: SSM 2017/09/26 | |
| | | APPR: RSILLER 2017/12/15 | |
| DOCUMENT NUMBER | | 1200845107 | DOC TYPE DOC PART REVISION |
| | | PSD | 000 A6 |
| MATERIAL NUMBER | | SEE SHEET 3 | CUSTOMER |
| | | GENERAL MARKET | SHEET NUMBER |
| | | | 1 OF 3 |

4 POLE VERSIONS

| PIN | WIRE COLOR |
|-----|------------|
| 1 | BROWN |
| 2 | WHITE |
| 3 | BLUE |
| 4 | BLACK |

5 POLE VERSIONS

| PIN | WIRE COLOR |
|-----|----------------------|
| 1 | BROWN |
| 2 | WHITE |
| 3 | BLUE |
| 4 | BLACK |
| 5 | GREEN/YELLOW OR GREY |

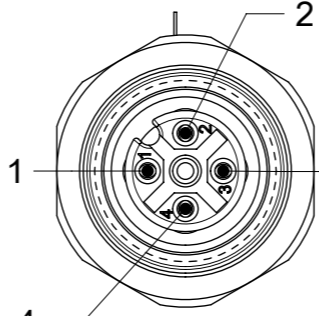
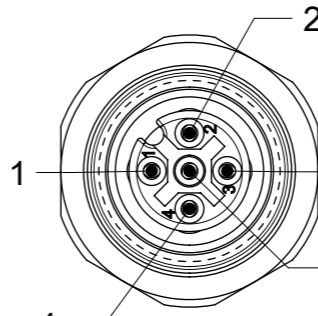
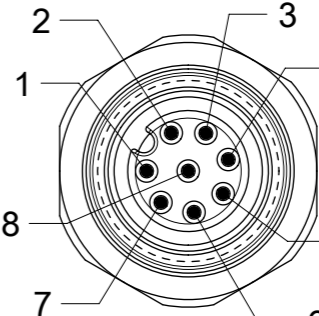
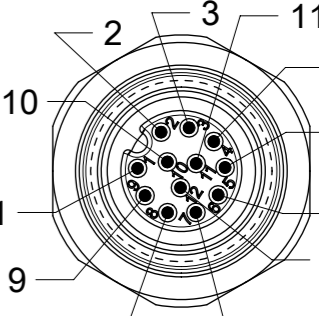
8 POLE VERSIONS

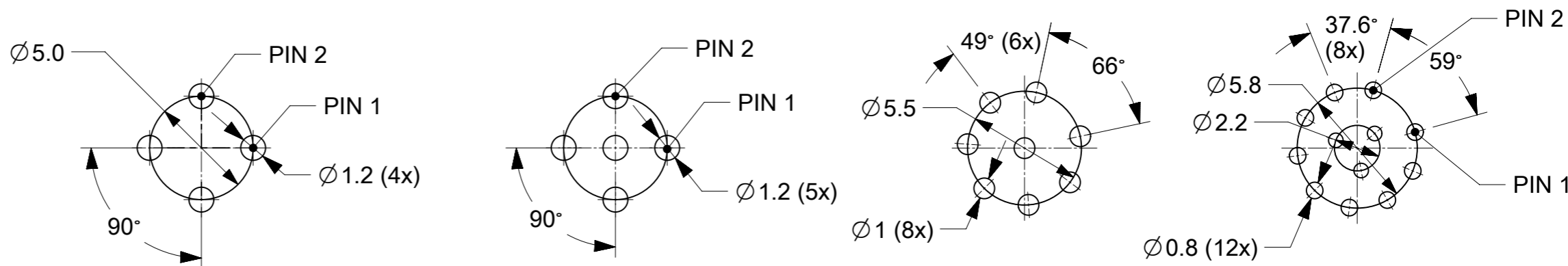
| PIN | WIRE COLOR |
|-----|------------|
| 1 | WHITE |
| 2 | BROWN |
| 3 | GREEN |
| 4 | YELLOW |
| 5 | GREY |
| 6 | PINK |
| 7 | BLUE |
| 8 | RED |

12 POLE VERSIONS


| PIN | WIRE COLOR |
|-----|------------|
| 1 | WHITE |
| 2 | BROWN |
| 3 | GREEN |
| 4 | YELLOW |
| 5 | GREY |
| 6 | PINK |
| 7 | BLUE |
| 8 | RED |
| 9 | BLACK |
| 10 | VIOLET |
| 11 | GRAY/PINK |
| 12 | RED/BLUE |

TABLE 3

| POLES | 4 POLE | 5 POLE | 8 POLE | 12 POLE |
|---|---|---|---|---|
| LAYOUT |  |  |  |  |
| VOLTAGE RATING | 250V | 60V | 30V | 30V |
| CODING | A - Code | A - Code | A - Code | A - Code |
| AMPERE RATING | 4A | 4A | 2A | 1.5A |
| PROTECTION CLASS CONNECTOR INTERFACE SHELL TO ENCLOSURE | IP 67/69K (in mated condition / when properly installed) | | | |
| OPERATING TEMP. | -25°C / 85°C | | | |
| CSA CERTIFICATION | FILE NO. LR6837 | | | |
| WIRE LEAD | 0.34 mm ² PVC | 0.34 mm ² PVC | 0.25 mm ² PVC | 0.14 mm ² PVC |
| PIN DIAMETER | 1.0 mm | 1.0 mm | 0.8 mm | 0.6 mm |
| WIRE COLOR | ACCORDING TO IEC 60947-5-2 | | ACCORDING TO DIN 47100 | |



DRILL LAYOUT BACKSIDE

| | | | | | | | | |
|--|---|--|--|--|--|--|---|--|
| SYMBOLS ▽ = 0 ▽ = 0 ▽ = 0 ▽ = 0 ▽ = 0 ▽ = 0 ▽ = 0 ▽ = 0 ▽ = 0 ▽ = 0 ▽ = 0 ▽ = 0 | THIS DRAWING CONTAINS INFORMATION THAT IS PROPRIETARY TO MOLEX ELECTRONIC TECHNOLOGIES, LLC AND SHOULD NOT BE USED WITHOUT WRITTEN PERMISSION | | DIMENSION UNITS: mm SCALE: 2:1 | | CURRENT REV DESC: NEW P/N ADDED | |  | |
| | GENERAL TOLERANCES (UNLESS SPECIFIED) ANGULAR TOL ± 1.0° | | EC NO: 714426 DRWN: RSILLER 2022/07/15 CHK'D: THAERDT 2022/07/22 APPR: THAERDT 2022/07/22 | | REC U12 XP AC FE XM M16 FM WIR BRA AU | | | |
| | 4 PLACES ± 3 PLACES ± 2 PLACES ± 0.05 1 PLACE ± 0.3 0 PLACES ± 0.5 | | INITIAL REVISION: DRWN: SSM 2017/09/26 APPR: RSILLER 2017/12/15 | | PRODUCT CUSTOMER DRAWING | | DOCUMENT NUMBER: 1200845107 DOC TYPE: PSD DOC PART: 000 REVISION: A6 | |
| | DRAFT WHERE APPLICABLE MUST REMAIN WITHIN DIMENSIONS | | THIRD ANGLE PROJECTION | | DRAWING: A3-SIZE SERIES: 120084 | | MATERIAL NUMBER: SEE SHEET 3 CUSTOMER: GENERAL MARKET SHEET NUMBER: 2 OF 3 | |

PART LIST

4 POLE VERSIONS

| MOLEX P/N | ENGINEERING NR. | L [mm] | TOL |
|------------|-----------------|--------|-----|
| 1200845107 | WR4U20E03C3003 | 300 | ±10 |
| 1200250006 | WR4U20E03C300 | 300 | ±10 |
| 1200848085 | WR4U20E03C500 | 500 | ±10 |
| 1200848242 | WR4U20E03M0203 | 2000 | ±10 |
| | | | |
| | | | |

5 POLE VERSIONS


| MOLEX P/N | ENGINEERING NR. | L [mm] | TOL | PIN 5 |
|------------|-----------------|--------|-----|-------|
| 1200845113 | WR5U20E03C3003 | 300 | ±10 | GN/YE |
| 1200848027 | WR5U20E03C500 | 500 | ±10 | GN/YE |
| 1200848037 | WR5U20E03M020 | 2000 | ±10 | GREY |
| 1200848124 | WR5U20E03M010 | 1000 | ±10 | GN/YE |
| | | | | |
| | | | | |

8 POLE VERSIONS

| MOLEX P/N | ENGINEERING NR. | L [mm] | TOL |
|------------|-----------------|--------|-----|
| 1200845002 | WR8U20E02M010 | 1000 | ±10 |
| 1200845095 | WR8U20E02C300 | 300 | ±10 |
| | | | |
| | | | |
| | | | |

12 POLE VERSIONS

| MOLEX P/N | ENGINEERING NR. | L [mm] | TOL |
|------------|-----------------|--------|-----|
| 1200845012 | WRCU20E01C200 | 200 | ±10 |
| 1200845013 | WRCU20E01C300 | 300 | ±10 |
| | | | |
| | | | |
| | | | |

| | | | | | | | |
|--|---|-------|--|--|--|-----------------|----------------|
| SYMBOLS ▽ = 0 ▽ = 0 ▽ = 0 ▽ = 0 ▽ = 0 ▽ = 0 ▽ = 0 ▽ = 0 ▽ = 0 ▽ = 0 | THIS DRAWING CONTAINS INFORMATION THAT IS PROPRIETARY TO MOLEX ELECTRONIC TECHNOLOGIES, LLC AND SHOULD NOT BE USED WITHOUT WRITTEN PERMISSION | | CURRENT REV DESC: NEW P/N ADDED | |  REC U12 XP AC FE XM M16 FM WIR BRA AU | | |
| | DIMENSION UNITS | SCALE | EC NO: 714426 | | | DOCUMENT NUMBER | |
| | mm | 1:1 | DRWN: RSILLER 2022/07/15 | | | 1200845107 | |
| | GENERAL TOLERANCES (UNLESS SPECIFIED) | | CHK'D: THAERDT 2022/07/22 | | DOC TYPE | DOC PART | REVISION |
| | ANGULAR TOL ± 1.0° | | APPR: THAERDT 2022/07/22 | | PSD | 000 | A6 |
| | 4 PLACES ± | | INITIAL REVISION: | | MATERIAL NUMBER | | CUSTOMER |
| | 3 PLACES ± | | DRWN: SSM 2017/09/26 | | SEE PART LIST | | GENERAL MARKET |
| | 2 PLACES ± 0.05 | | APPR: RSILLER 2017/12/15 | | SERIES | | SHEET NUMBER |
| | 1 PLACE ± 0.3 | | DRAFT WHERE APPLICABLE MUST REMAIN WITHIN DIMENSIONS | | A3-SIZE | | 120084 |
| | 0 PLACES ± 0.5 | | THIRD ANGLE PROJECTION | | DRAWING | | 3 OF 3 |

| | | | | |
|-----------------|----|--------------|------------|----------|
| DOCUMENT STATUS | P1 | RELEASE DATE | 2022/07/22 | 12:02:27 |
|-----------------|----|--------------|------------|----------|