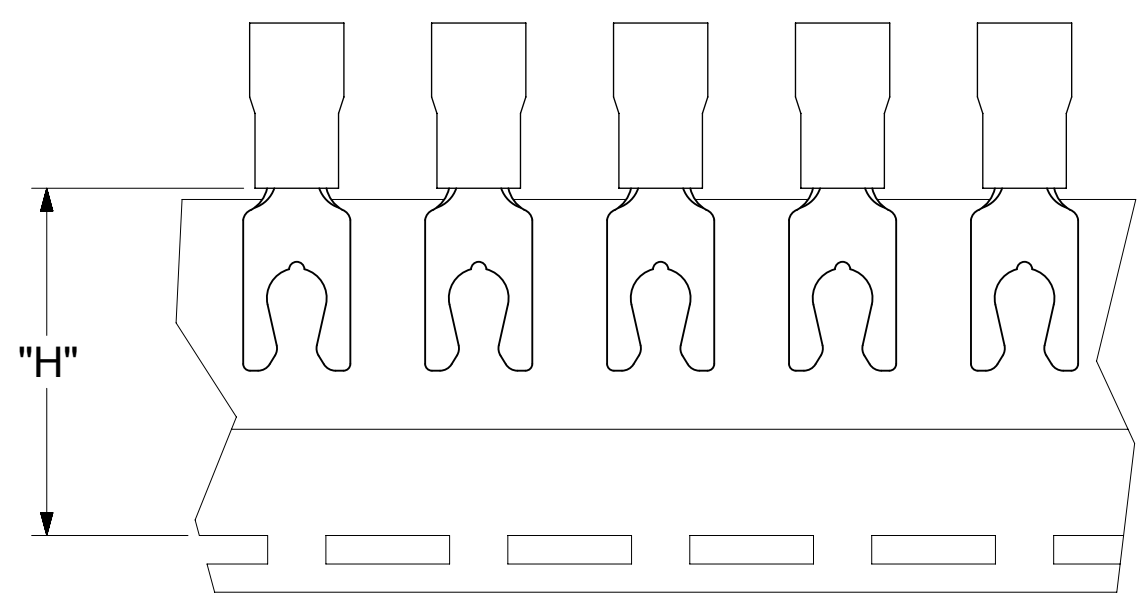
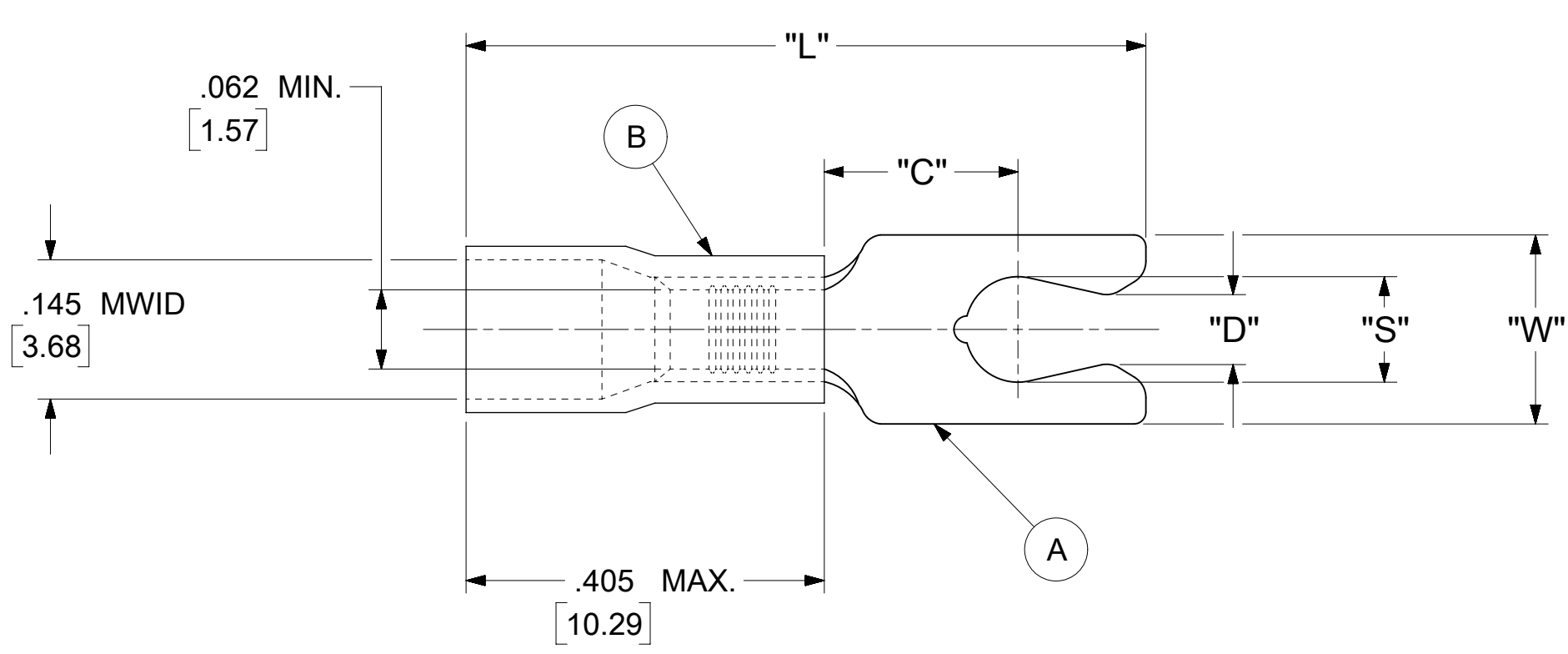


LOOSE PIECE		TAPE MOUNTED		SPECIFICATIONS						
MATERIAL NUMBER	ENGINEERING NUMBER	MATERIAL NUMBER	ENGINEERING NUMBER	STUD SIZE	"S" ±.005 [0.13]	"W" ±.010 [0.25]	"C" MIN.	"L" MAX.	"D" ±.005 [0.13]	"H"
190990007	AA-2704-05X	190990008	AA-2704-05XT	5	.127 [3.23]	.250 [6.35]	.230 [5.82]	.810 [20.57]	.105 [2.67]	.980 [24.89]
190990009	AA-2704-06X	190990010	AA-2704-06XT	6	.146 [3.71]	.250 [6.35]	.230 [5.82]	.810 [20.57]	.114 [2.90]	.980 [24.89]



PARTS ON TAPE

NOTES:

- MATERIAL:
 - (A). TERMINAL: COPPER (STOCK THICKNESS $.028 \begin{smallmatrix} +.001 \\ -.000 \end{smallmatrix}$ [0.71])
PLATING: ELECTRO-TIN (.0003 MIN.)
 - (B). INSULATION: MOLDED PVC (RED)
- MWID: MAXIMUM WIRE INSULATION DIAMETER
- WIRE SIZE: 22 -18 AWG
0.25 -1.5 MM²
- "UL" LISTING #E32244
"CSA" LISTING #18689
- ALL DIMENSIONS IN INCHES/[MM].
- PARTS ARE ROHS COMPLIANT.
- DIMS. SHOWN ARE FOR REFERENCE ONLY.

SYMBOLS	THIS DRAWING CONTAINS INFORMATION THAT IS PROPRIETARY TO MOLEX ELECTRONIC TECHNOLOGIES, LLC AND SHOULD NOT BE USED WITHOUT WRITTEN PERMISSION									
	DIMENSION UNITS		SCALE		CURRENT REV DESC: MIGRATION TO ECTR/NX					
	INCH/MM		NTS		EC NO: 620958 DRWN: ABENJAMINLW 2019/07/16 CHK'D: GROJAS01 2019/07/19 APPR: JMACNEIL 2019/08/05 INITIAL REVISION: DRWN: JJ 1984/11/05 APPR: JMACNEIL 2019/08/05					
	GENERAL TOLERANCES (UNLESS SPECIFIED)									
▽ = 0	4 PLACES	±	---	±	---	molex SNAP SPADE TONGUE TERMINAL INSULKRIMP 200 SERIES PRODUCT CUSTOMER DRAWING DOCUMENT NUMBER: 190990007 DOC TYPE: PSD DOC PART: 000 REVISION: A MATERIAL NUMBER: SEE TABLE CUSTOMER: GENERAL MARKET SHEET NUMBER: 1 OF 1				
▽ = 0	3 PLACES	±	---	±	.005					
▽ = 0	2 PLACES	±	0.13	±	.01					
▽ = 0	1 PLACE	±	0.25	±	---					
☒ = 0	0 PLACES	±	---	±	---					
■ = 0	ANGULAR TOL		± 0.5 °							
▽ = 0	DRAFT WHERE APPLICABLE MUST REMAIN WITHIN DIMENSIONS		THIRD ANGLE PROJECTION		DRAWING		SERIES		C-SIZE 19099	

DOCUMENT STATUS	P1	RELEASE DATE	2019/08/05	20:30:05
-----------------	----	--------------	------------	----------

NOTES: + .001
- .028

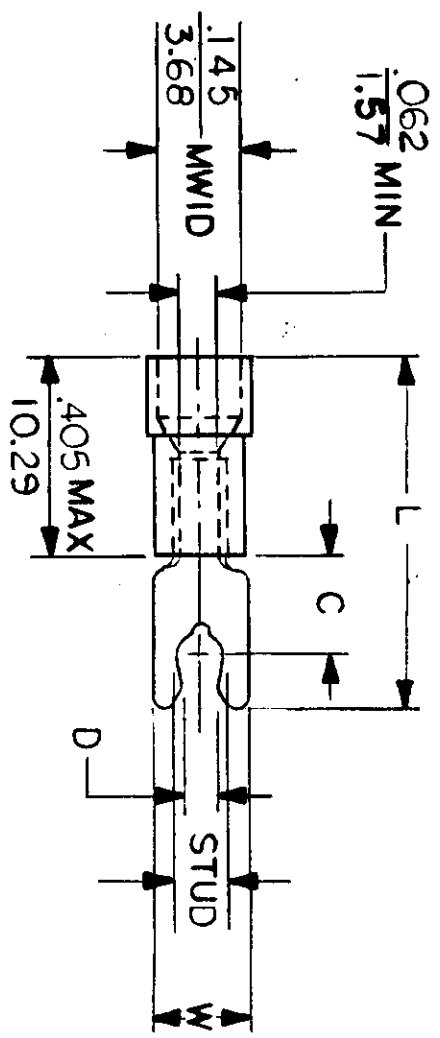
- ① MAT'L: COPPER (STOCK TKN. $\frac{.028}{71}$)
- PLATING: ELECTRO-TIN (.0003 MIN.)
- ② INSULATION: MOLDED PVC (RED)

STUD SIZES: ($\pm .005$)

- 02 = .094
- 04 = .119
- 06 = .146
- 08 = .173
- 10 = .198
- 14 = .265
- 56 = .328
- 38 = .390

"UL" LISTING *E32244
"CSA" LISTING *18689

ALL DIMENSIONS = $\frac{\text{INCHES}}{\text{MM}}$



MWID = MAXIMUM WIRE
INSULATION DIAMETER
WIRE SIZE: 22 - 18AWG
25 - 1.5 MM²

FILE NO. AA-CD-205-02

PART NUMBER	"W" ±.010	"C" MIN.	"L" MAX.	"D" ±.005	AVAILABLE STUD SIZES	DIMENSIONAL TOLERANCES UNLESS OTHERWISE SPECIFIED	
						FRAC.	DEC.
AA-2704-	$\frac{.250}{6.35}$	$\frac{.230}{5.82}$	$\frac{.810}{20.57}$	$\frac{.105}{2.67}$	05X ($\frac{127^{+.005}}{3.23}$)	±	±
AA-2704-	$\frac{.250}{6.35}$	$\frac{.230}{5.82}$	$\frac{.810}{20.57}$	$\frac{.114}{2.90}$	06X	±	±
AA-2705-	$\frac{.375}{9.53}$	$\frac{.261}{6.63}$	$\frac{.871}{22.12}$	$\frac{.139}{3.53}$	08X	±	±
AA-2706-	$\frac{.406}{10.31}$	$\frac{.261}{6.63}$	$\frac{.919}{23.34}$	$\frac{.156}{3.96}$	10X	±	±

TITLE:
SNAP SPADE
TONGUE TERMINAL
INSULKRIMP
200 SERIES

SCALE: NTS
DRWN. BY: JJ
CHKD. BY: GZ
APPRD. BY:

DATE: 11.5.84
11.6.84

DWG. NO. A CUSTOMER DWG.

ETC mox
INCORPORATED