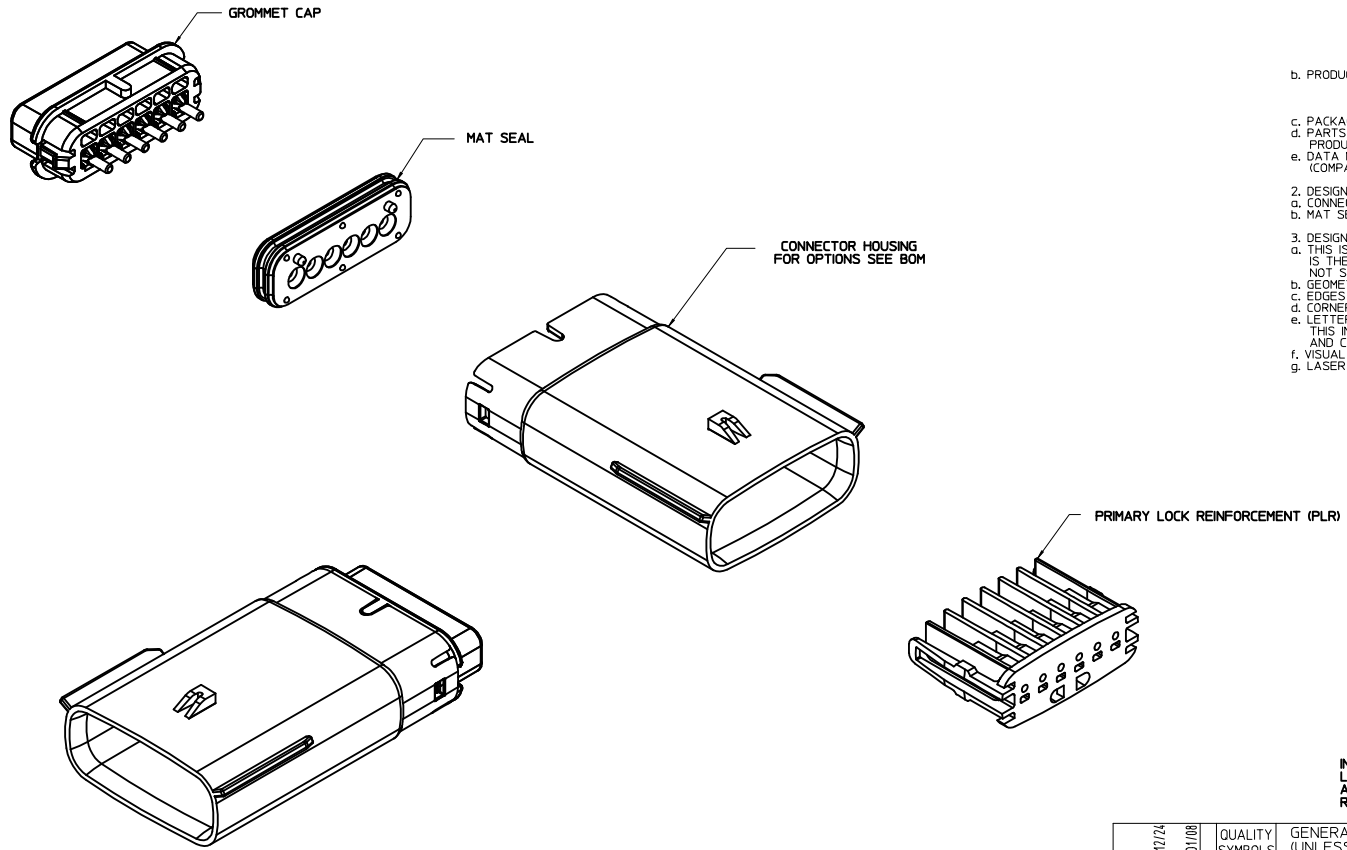


TABLE OF CONTENTS	
SHEET NO.	SHEET DESCRIPTION
1	NOTES
2	KEY CONFIGURATIONS
3	BLADE SEALED ASSEMBLY
4	SYSTEM PACKAGING
5	BOM



NOTES: VALID UNLESS OTHERWISE SPECIFIED

1. GENERAL:
 a. APPLICATION SPECIFICATION SEE: AS-33472-100
 CONTAINS: PRODUCT INTRODUCTION, PRODUCT SUMMARY, CONNECTOR ASSEMBLY, PACKAGING INFORMATION, CONNECTOR MATING, SERVICE INSTRUCTIONS, ELECTRICAL CONTINUITY CHECKING, CRIMPING, AND TROUBLESHOOTING.
 -DESIGNED TO MATE WITH RECEPTACLE SEALED ASSEMBLY SPECIFIED IN MOLEX DRAWING SD-33471-061.
 -FOR 1.5mm BLADE TERMINALS TO BE USED WITH THIS ASSEMBLY SEE MOLEX DRAWING SD-33000-001.
 -SYSTEM TO BE USED WITH WIRE WITHIN DIAMETER RANGE OF 1.2mm TO 2.69mm.
 -ASSEMBLY SHIPPED WITH PLR IN PRE-LOCK POSITION
 -IN THE EVENT THAT THE PLR IS FOUND IN THE SEATED (FINAL LOCK) POSITION, REFER TO MOLEX SPECIFICATION PS-34646-001, AVAILABLE AT www.molex.com -<http://www.molex.com>
 -ASSEMBLY CONFORMS TO SAE/USCAR-2 REV.4 WITH THE FOLLOWING EXCEPTIONS: TERMINAL INSERTION FORCE FOR WIRE DIAMETER ABOVE 2.5mm NOT EXCEEDING 2.69mm SHALL NOT EXCEED 45 NEWTONS.

b. PRODUCT SPECIFICATION SEE: PS-33471-000
 CONTAINS: PRODUCT INTRODUCTION, PRODUCT SUMMARY, RATINGS (CURRENT, TEMPERATURE, SEALING, AND FLAMMABILITY), AND PRODUCT VALIDATION.

c. PACKAGING SPECIFICATION PER MOLEX DRAWING: PK-31300-635

d. PARTS MUST BE IN COMPLIANCE TO MOLEX CHEMICAL SUBSTANCES FOR PRODUCTS AND PACKAGING SPECIFICATION: ES-40000-5016

e. DATA MUST BE SUBMITTED UNDER THE MOLEX PART NUMBER TO IMDS (COMPANY ID#13255)

2. DESIGN - MATERIALS:
 a. CONNECTOR HOUSING, GROMMET CAP, PLR: SPS/NYLON BLEND 20% GLASS FILLED
 b. MAT SEAL: INHERENTLY LUBRICATED SILICONE

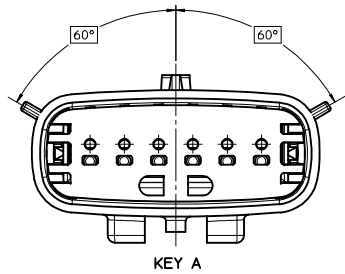
3. DESIGN - GEOMETRY:
 a. THIS IS A 100% CAD GENERATED PART. THE CAD MATHEMATICAL DATA IS THE MASTER FOR THIS PART. FOR DIMENSIONAL OR ANY INFORMATION NOT SHOWN ON THIS DRAWING, ANALYZE THE CAD MODEL.
 b. GEOMETRIC DIMENSIONS AND TOLERANCES PER ASME Y14.5M - 1994
 c. EDGES AND UNDIMENSIONED DETAILS PER ISO13715
 d. CORNERS SHOWN AS SHARP TO BE R 0.2 MAX.
 e. LETTERING SHALL BE 0.15 MAX RAISED IN 0.25 MAX RECESS PAD. THIS INCLUDES RECYCLING CODE, CAVITY ID, VENDOR IDENTIFICATION, AND CUSTOMER MATERIAL NUMBER.
 f. VISUAL DEFECTS SHALL MEET COSMETIC STANDARD PS-45499-002 (Class B)
 g. LASER MARKING: TBD

INSPECTION NUMBER LOG
 LAST NUMBER USED: 8
 ADDED:
 REMOVED:

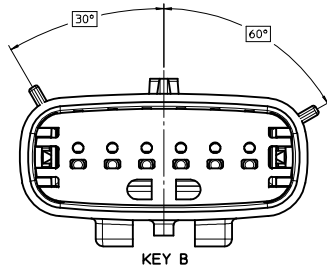
V2	ADD NEW P/N 33481-0624
V1	ADD NEW P/N 33481-0623
U	ADD NEW P/N 33481-0621 33481-0622
T	ADD NEW P/N 33481-0620
S	UPDATED GROMMET CAP
R1	UPDATED DIMENSIONS TO MATCH MODEL
R	COLOR REPLACEMENT FOR KEY C AND D PER USCAR STANDARD
D	REDRAWN
REV	DESCRIPTION

REVISED DEC NO: 11/01/08 DRAWN BY: DMARCOUX CHKD: DGRIFTH APPR: VKOSHY 2016/01/08 DESCRIPTION:	QUALITY SYMBOLS	GENERAL TOLERANCES (UNLESS SPECIFIED):	DIMENSION STYLE	SCALE	DESIGN UNITS	THIRD ANGLE PROJECTION MX150 1X6 BLADE SEALED ASSEMBLY MAT SEAL molex MATERIAL NO. SD-33481-061 DOCUMENT NO. SD-33481-061 SHEET NO. 1 OF 5	
	∇=0 ∇=0 ∇=0	mm INCH 4 PLACES ± --- ± --- 3 PLACES ± 0.10 ± --- 2 PLACES ± 0.3 ± --- 0 PLACE ± ±	DRAWN BY: DMARCOUX DATE: 06-14-02 CHECKED BY: DGRIFTH DATE: 06-14-02 APPROVED BY: VKOSHY DATE: 2010/11/04	MM ONLY	3:1		METRIC
	ANGULAR ± 3 ° DRAFT WHERE APPLICABLE MUST REMAIN WITHIN DIMENSIONS	SEE BOM	SIZE D	THIS DRAWING CONTAINS INFORMATION THAT IS PROPRIETARY TO MOLEX INCORPORATED AND SHOULD NOT BE USED WITHOUT WRITTEN PERMISSION			

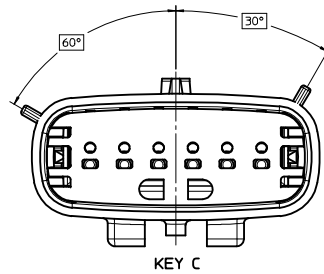
KEY CONFIGURATIONS



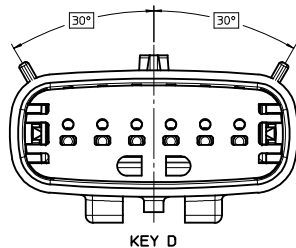
KEY A



KEY B



KEY C

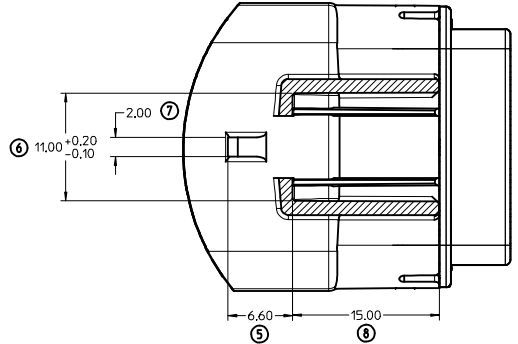
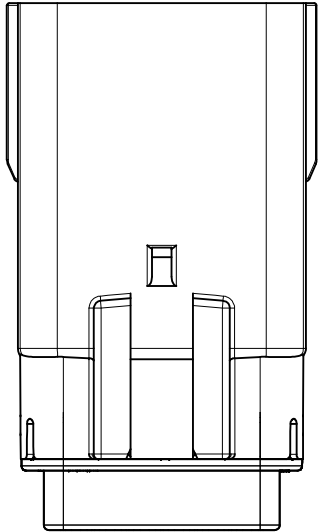
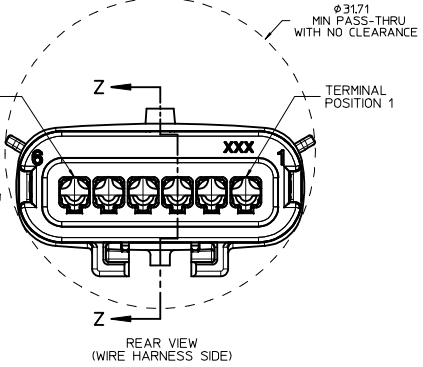
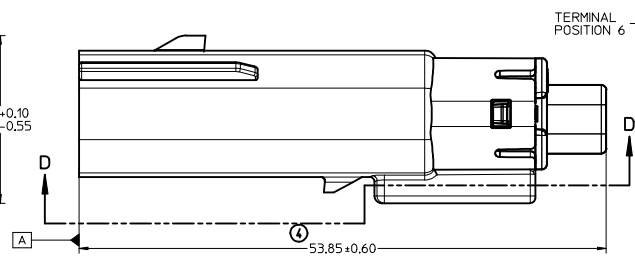
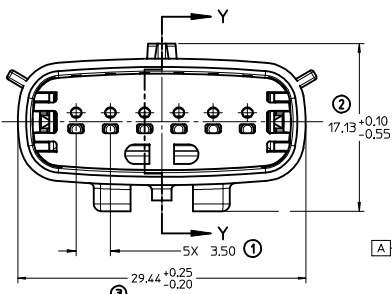
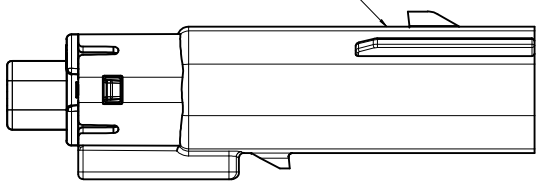


KEY D

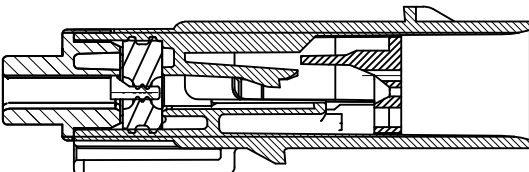
REVISED EEC NO. UAU2016-0981 DRAWN BY VZ CHKD: APPR: VKOSHY 2015/10/24 2016/01/08	QUALITY SYMBOLS	GENERAL TOLERANCES (UNLESS SPECIFIED)	DIMENSION STYLE	SCALE	DESIGN UNITS	THIRD ANGLE PROJECTION
	∇=0 ∇=0 ∇=0	4 PLACES ± mm 3 PLACES ± INCH 2 PLACES ± 0.10 1 PLACE ± 0.3 0 PLACE ±	MM ONLY	4:1	METRIC	MX150 1X6 BLADE SEALED ASSEMBLY MAT SEAL molex
	ANGULAR ± 3 ° DRAFT WHERE APPLICABLE MUST REMAIN WITHIN DIMENSIONS	DRAWN BY DMARCOUX CHECKED BY DGRIFFTH APPROVED BY VKOSHY DATE 06-14-02 DATE 06-14-02 DATE 2010/11/04	MATERIAL NO.	DOCUMENT NO.	SHEET NO.	
		SEE BOM	SD-33481-061	2 OF 5		

BLADE SEALED ASSEMBLY

LASER MARKING THIS SURFACE
SEE NOTE 3g.

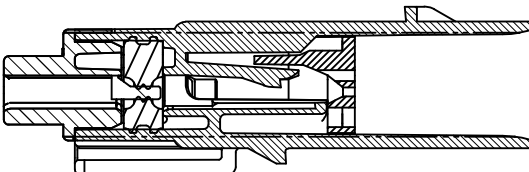


SECTION D-D



PRIMARY LOCK REINFORCEMENT (PLR) SHOWN
IN PRE-STAGED POSITION

SECTION Z-Z



PRIMARY LOCK REINFORCEMENT (PLR) SHOWN
IN FINAL-LOCK POSITION

SECTION Y-Y

REVISED EEC NO. UAU2016-0981 DRAWN BY V2 CHKD: APPR: VKOSHY 2015/10/24 2016/01/08	QUALITY SYMBOLS	GENERAL TOLERANCES (UNLESS SPECIFIED)	DIMENSION STYLE	SCALE	DESIGN UNITS	THIRD ANGLE PROJECTION
	▽=0	mm INCH	MM ONLY	4:1	METRIC	☉
	▽=0	4 PLACES ± --- ± ---	DRAWN BY DATE			
	▽=0	3 PLACES ± --- ± ---	DMARCOUX 06-14-02			
	2 PLACES ± 0.10 ± ---	CHECKED BY DATE				
	1 PLACE ± 0.3 ± ---	DGRIFFTH 06-14-02				
	0 PLACE ± ±	APPROVED BY DATE				
		VKOSHY 2010/11/04				
		ANGULAR ± 3 °	MATERIAL NO.	SEE BOM	DOCUMENT NO.	
		DRAFT WHERE APPLICABLE MUST REMAIN WITHIN DIMENSIONS	SIZE	D	SD-33481-061	SHEET NO. 3 OF 5

MX150 1X6 BLADE SEALED ASSEMBLY MAT SEAL

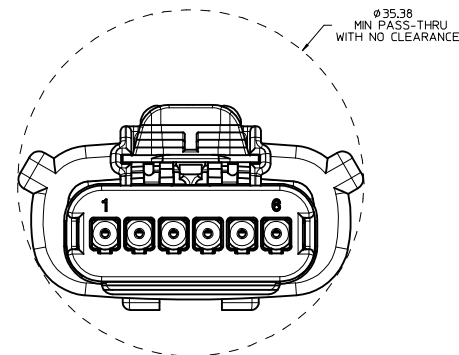
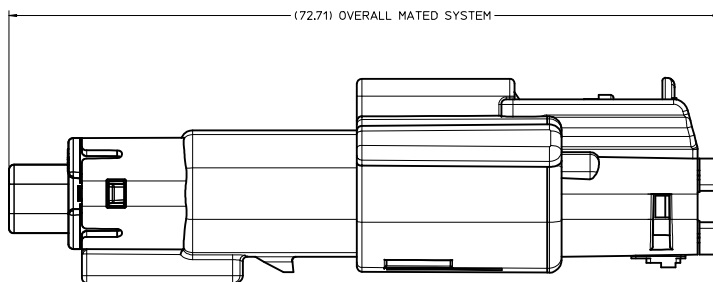
molex

SEE BOM

SD-33481-061

THIS DRAWING CONTAINS INFORMATION THAT IS PROPRIETARY TO MOLEX INCORPORATED AND SHOULD NOT BE USED WITHOUT WRITTEN PERMISSION

SYSTEM PACKAGING



REVISED EEC NO. UAU2016-0981 DRAWN BY VZ CHKD: APPR: VKOSHY 2015/10/24 2016/01/08	QUALITY SYMBOLS	GENERAL TOLERANCES (UNLESS SPECIFIED)	DIMENSION STYLE	SCALE	DESIGN UNITS	THIRD ANGLE PROJECTION
	▽=0	4 PLACES ± mm ± INCH	MM ONLY	4:1	METRIC	☉
	▽=0	3 PLACES ± 0.10 ± --- ± ---	DRAWN BY DATE			
	▽=0	2 PLACES ± 0.3 ± --- ± ---	CHECKED BY DATE			
		1 PLACE ± 0.3 ± --- ± ---	APPROVED BY DATE			
		0 PLACE ± ±	VKOSHY 2010/11/04			
		ANGULAR ± 3 °	MATERIAL NO.			
		DRAFT WHERE APPLICABLE MUST REMAIN WITHIN DIMENSIONS	SEE BOM			
			SIZE D			
			THIS DRAWING CONTAINS INFORMATION THAT IS PROPRIETARY TO MOLEX INCORPORATED AND SHOULD NOT BE USED WITHOUT WRITTEN PERMISSION			

MX150 1X6 BLADE SEALED ASSEMBLY MAT SEAL



SD-33481-061

SHEET NO. 4 OF 5

BOM SHEET 1

ASSEMBLY PART NUMBER	COLOR	KEYING OPTION	CAVITY TYPE & STATUS (X = PLUGGED)						STATUS	COMMENTS
			1	2	3	4	5	6		
33481-0601	BLACK	A							SALEABLE	
33481-0602	LT.GRAY	B								
33481-0603	BROWN	C								NOT RECOMMENDED, SEE P/N 33481-0618
33481-0604	GREEN	D								NOT RECOMMENDED, SEE P/N 33481-0619
33481-0605	YELLOW	A							SALEABLE	
33481-0606	BLACK	A						X	SALEABLE	
33481-0607	LT.GRAY	B						X		
33481-0608	BROWN	C						X		
33481-0609	GREEN	D						X		
33481-0610	YELLOW	A						X	SALEABLE	
33481-0611	BLACK	A	X					X	SALEABLE	
33481-0612	LT.GRAY	B	X					X		
33481-0613	BROWN	C	X					X		
33481-0614	GREEN	D	X					X		
33481-0615	YELLOW	A	X					X	SALEABLE	
33481-0616	BLACK	A	X	X	X	X	X	X	SALEABLE	
33481-0617	BLACK	A						X	SALEABLE	
33481-0618	DK.GRAY	C								
33481-0619	ST.GRAY	D								
33481-0620	BLACK	A			X				SALEABLE	
33481-0621	ST.GRAY	D	X	X	X	X	X	X	SALEABLE	
33481-0622	ST.GRAY	D	X					X	SALEABLE	
33481-0623	BLACK	A	X		X			X	SALEABLE	
V2 33481-0624	BLACK	A						X	SALEABLE	

REVISED EEC NO: UAU2016-0981 DRAWN BY: DRWNTYE CHKD: V2 APPR: VKOSHY 2016/01/08	QUALITY SYMBOLS	GENERAL TOLERANCES (UNLESS SPECIFIED)	DIMENSION STYLE	SCALE	DESIGN UNITS	THIRD ANGLE PROJECTION
	▽=0	mm INCH	MM ONLY		METRIC	
	▽=0	4 PLACES ± --- + ---	DRAWN BY: DMARCOUX	DATE: 06-14-02	TITLE: MX150 1X6 BLADE SEALED ASSEMBLY MAT SEAL	
	▽=0	3 PLACES ± --- + ---	CHECKED BY: DGRIFITH	DATE: 06-14-02		
	2 PLACES ± 0.10 + ---	APPROVED BY: VKOSHY	DATE: 2010/11/04			
	1 PLACE ± 0.3 + ---	MATERIAL NO. SEE BOM	DOCUMENT NO. SD-33481-061			
	0 PLACE ± +	ANGULAR ± 3 °				SHEET NO. 5 OF 5
		DRAFT WHERE APPLICABLE MUST REMAIN WITHIN DIMENSIONS	SIZE D	THIS DRAWING CONTAINS INFORMATION THAT IS PROPRIETARY TO MOLEX INCORPORATED AND SHOULD NOT BE USED WITHOUT WRITTEN PERMISSION		